

CONTRACOR®

Compressed air aftercooler

ACE/ACP

OPERATION MANUAL

Version 2.2

Druckluft-Nachkühler

BEDIENUNGSANLEITUNG

Version 2.2

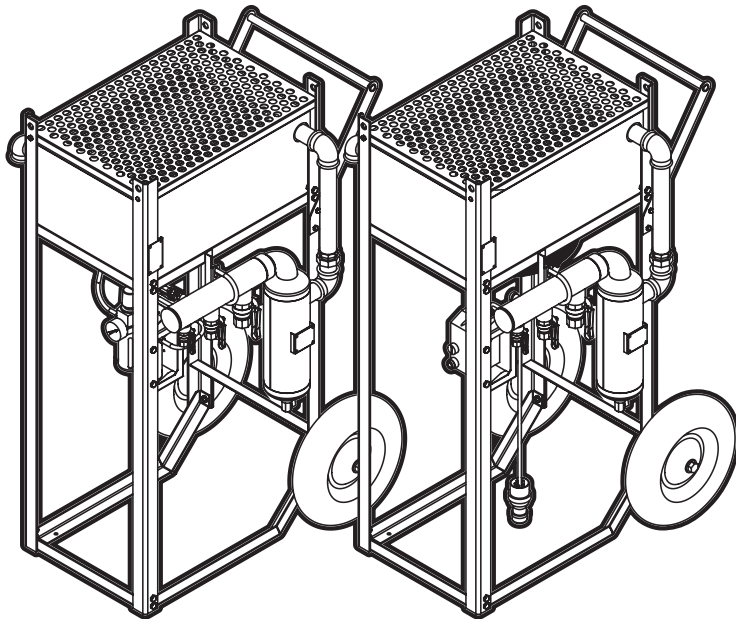
Seite 20

Дохладитель сжатого воздуха

РУКОВОДСТВО ПО ЭКСПЛУАТАЦИИ

Версия 2.2

стр. 37



ENGLISH

DEUTSCH

РУССКИЙ

Contents

| | | |
|-----------|------------------------------------------------|-----------|
| 1. | Safety measures | 4 |
| | 1.1 Introduction | 4 |
| | 1.2 Personal protective equipment | 4 |
| | 1.3 General safety measures | 4 |
| | 1.4 Safety measures during operation | 5 |
| | 1.5 Safety measures for maintenance and repair | 6 |
| 2. | Device and mechanism | 7 |
| | 2.1 Function | 7 |
| | 2.2 Technical information | 7 |
| | 2.3 Appearance of aftercooler | 8 |
| | 2.4 Delivery set | 8 |
| | 2.5 Main components | 9 |
| | 2.6 Description of mechanism | 10 |
| | 2.7 Pneumatic schematic diagram | 11 |
| | 2.8 Electric schematic diagram | 12 |
| | 2.9 Air consumption diagram of pneumatic motor | 13 |
| 3. | Acceptance of aftercooler | 14 |
| | 3.1 Preparation of compressed-air line | 14 |
| | 3.2 Before use and on a weekly basis | 14 |
| | 3.3 Switching on aftercooler | 14 |
| | 3.4 Switching off aftercooler | 15 |
| | 3.5 After usage | 15 |
| 4. | Maintenance | 15 |
| 5. | Fault handing | 16 |
| 6. | Storage | 18 |

1. Safety measures

Prior to using any aftercooler of compressed air, hereinafter referred to as the equipment, the operator must read and understand the contents of this document.

Only trained personnel are permitted to work with the equipment.

1.1 Introduction

This manual must be kept in the vicinity of the equipment in an area accessible to personnel. Only maintenance personnel with the relevant level of professional training are permitted to operate, service and repair the Comprag equipment.

1.2 Personal protective equipment

Everyone in the area of the operated equipment is advised to make use of personal protective equipment:

- work clothing that protects hands and feet.
- Shockproof goggles with side protection
- Ensure that protective clothing is fastened and hair tucked into a head covering.

An operator is not allowed to operate equipment if the operator is fatigued, in a state of intoxication from alcohol, drugs or medicine that reduces the body's reaction time.

1.3 General safety measures

- Damaged equipment components must be replaced as soon as they break down.
- Worn equipment components must be replaced in a timely manner.
- In the event of the overheating of internal equipment components or suspicion of overheating, equipment must be switched off immediately.
- The work zone of the equipment should be kept clean.

1.4 Safety measures during operation

If the equipment is delivered during the winter months, then the equipment should be kept in a warm facility for no fewer than 12 hours before the packaging is removed after unloading. This will prevent condensate from reaching the equipment's internal components.

In order to prevent moisture getting into the pneumatic system, the feed of compressed air from the compressor should not be commenced sooner than 10 minutes after the equipment is switched on.

The equipment is not allowed to be used in explosion-hazardous environments or near flammable materials and toxic vapours.

Before connecting or disconnecting the compressed air hose, make sure that there is not pressure in the hose before disconnecting it from the equipment.

It is necessary to check that all compressed air connections are securely fastened and there are no damages before start-up. Additional accessories such as lubricator, moisture separator etc. are not allowed to be installed on the compressed air inlet and outlet ports of the equipment.

The air hose is not allowed to be disconnected during operation if compressed air is being fed through it.

The air hose with compressed air must not be pointed at people.

The equipment should be switched on/off via the control panel.

Worn, damaged or spoiled compressed-air hoses should not be used.

Compressed air hoses that do not suit the equipment in terms of diameter and working pressure must not be used.

Power connectors must not be touched during operation of the equipment.

The electrical components of the equipment should only be accessed by a qualified electrician using mandatory protection against electric shock.

Regularly inspect the equipment's electric cable. Switch off the equipment if the electric cable is found to be damaged. The equipment should only be operated in future after replacing cables and/or remedying electrical faults.

Turn off equipment if undue vibration, noise, smell and other anomalous instances arise.

Only use the equipment with a standard power voltage. Over- or undervoltage can reduce the service life of the product. A voltage regulator should be used for the equipment if it is operated with undervoltage or overvoltage.

1.5 Safety measures for maintenance and repair

Using the equipment for non-designated purpose, making structural changes or not following the operating instructions may lead to severe injury or death.

- Structural changes to the equipment are prohibited - the guarantee does not apply to modified equipment;
- Only the original spare parts and ancillary items may be used;
- All maintenance work must be performed while the equipment is turned off, disconnected from the power source, with compressed-air hoses disconnected from the equipment, and with the use of protective glasses.
- Never leave tools, components, rags, cloths, clothing etc. within the equipment after completing maintenance work.
- Flammable solvents must not be used for cleaning the equipment;
- Welding or metalwork must not be carried out in the vicinity of the equipment.

Upon completing maintenance work or repairs, ensure that the working pressure and temperature correspond to the nominal values.



ATTENTION!

The ACE aftercooler should only be turned on/off using the motor starter.

Moving the equipment while it is being operated is prohibited.

Equipment is not allowed to be moved using its wheels at speeds greater than 20 km/h.

2. Device and mechanism

2.1 Function

ACP/ACE aftercoolers of compressed air remove condensate and oil from the air stream during abrasive blast cleaning. Recommend for use between air compressor and sandblasting equipment.

2.2 Technical information

| | | | | | | |
|---------------------------------------------------------------------------------------|----------------------------------|--------------------------------------|--------------------------------------|----------------------------------|--------------------------------------|--------------------------------------|
| Product code | 14390011 | 14390012 | 14390013 | 14390001 | 14390002 | 14390003 |
| Model | ACE-1 | ACE-2 | ACE-3 | ACP-1 | ACP-2 | ACP-3 |
| Maximum working pressure, bar | 12 | | | | | |
| Capacity (m ³ /min) | 20 | 30 | 45 | 20 | 30 | 45 |
| Voltage, V | 380~/50 Hz | | | - | | |
| Maximum current, A | 0,44 | 1,59 | 1,68 | - | | |
| Power, kW | 0,3 | 0,7 | 0,9 | - | | |
| Pressure of air motor min/max, bar | - | | | 2/6 | | |
| Consumption of compressed air with min/max pressure of air motor, m ³ /min | - | | | 0,6/1,4 | | |
| Thread connection, inlet | 1 1/2" | 2" | 3" | 1 1/2" | 2" | 3" |
| Thread connection, outlet | 1 x 3/4" 1 x 1" 1 x 1 1/4" | 1 x 3/4" 1 x 1 1/4" 1 x 1 1/2" | 1 x 3/4" 1 x 1 1/4" 2 x 1 1/2" | 1 x 3/4" 1 x 1" 1 x 1 1/4" | 1 x 3/4" 1 x 1 1/4" 1 x 1 1/2" | 1 x 3/4" 1 x 1 1/4" 2 x 1 1/2" |

2.3 Appearance of aftercooler

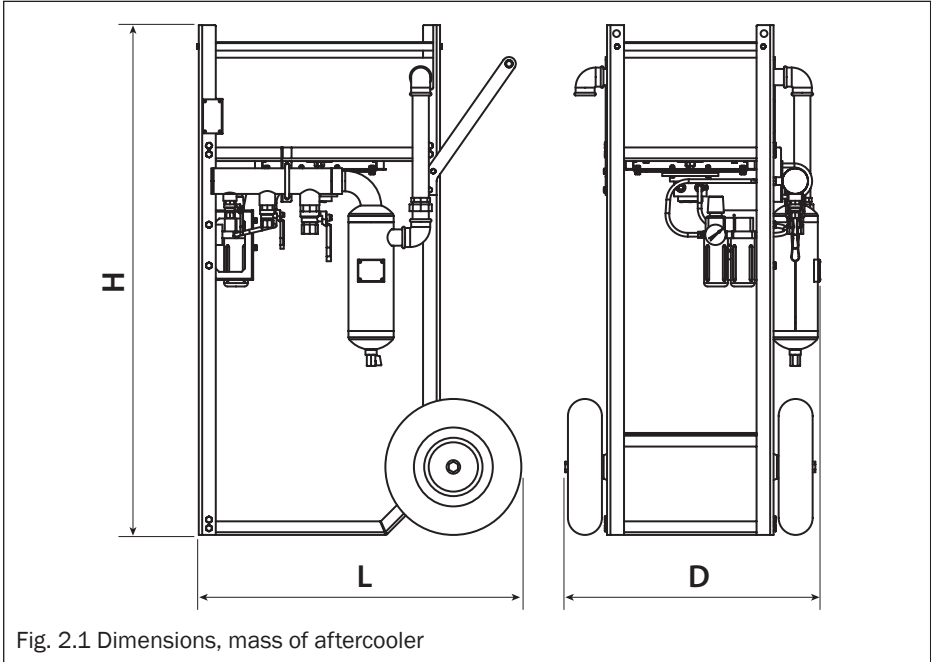


Fig. 2.1 Dimensions, mass of aftercooler

| Model | Aftercooler | | | | Aftercooler (packaged) | | | |
|-------|--------------|-------------|--------------|----------|------------------------|-----------|------------|----------|
| | Height H, mm | Width D, mm | Length L, mm | Mass, kg | Height, mm | Width, mm | Length, mm | Mass, kg |
| ACE-1 | 1500 | 735 | 950 | 82 | 1630 | 790 | 1100 | 103 |
| ACP-1 | | | | 76 | | | | 97 |
| ACE-2 | | 840 | 1080 | 103 | | 915 | 1230 | 126 |
| ACP-2 | | | | 96 | | | | 119 |
| ACE-3 | | 1050 | 1280 | 153 | | 1090 | 1430 | 182 |
| ACP-3 | | | | 146 | | | | 175 |

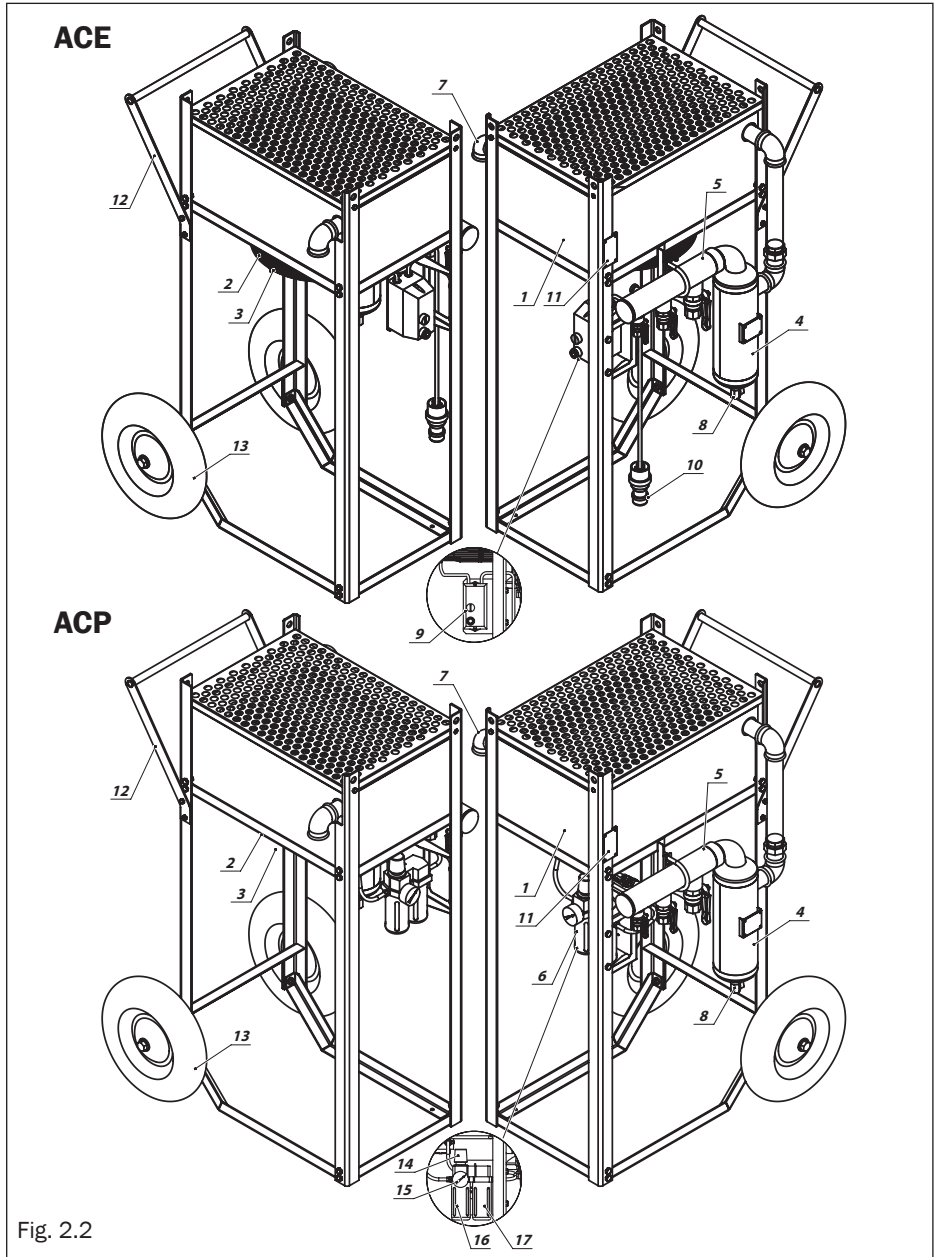
2.4 Delivery set

Aftercooler – 1 pc.

Packaging – 1 pc.

Folder with documentation – 1 pc.

2.5 Main components



ENGLISH

- | | |
|------------------------------------|----------------------------|
| 1. Heat exchanger | 10. Power cable (ACE only) |
| 2. Fan | 11. Namenplate |
| 3. Motor | 12. Transport handle |
| 4. Cyclone separator | 13. Wheel |
| 5. Air distributor | 14. Pressure regulator |
| 6. Air preparation unit (ACP only) | 15. Manometer |
| 7. Inlet port of compressed air | 16. Filter |
| 8. Drain valve | 17. Oiler |
| 9. Motor starter (ACE only) | |

2.6 Description of mechanism

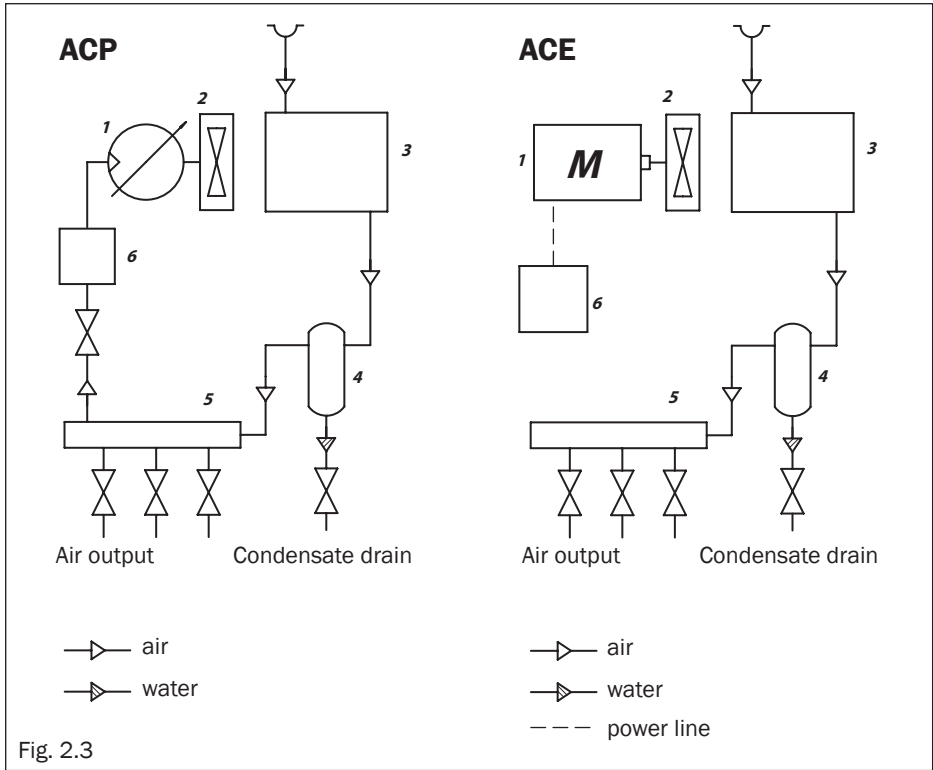
For ACE model:

Compressed air from the compressor enters the radiator (3) via the air line, where it is cooled by the fan (2) with electric drive, which is switched on via the motor starter (8). The cooled air from the radiator is fed into the cyclone separator (4), where the air is dried by removal of moisture. From the cyclone separator, the compressed air enters the distributing header (5), from where it can be supplied to 3 consumers simultaneously.

For ACP model:

Compressed air from the compressor enters the radiator (3) via the air line, where it is cooled by the fan (2) with pneumatic drive (1). The fan speed is set using a pressure regulator on the air-preparation unit. The cooled air from the radiator is fed into the cyclone separator (4), where the air is dried by removal of moisture. From the cyclone separator, the compressed air enters the distributing header (5), from where it can be supplied to 3 consumers simultaneously, as well as to the pneumatic motor (1) via the air-preparation unit (6). In the air-preparation unit, oil is added to reduce wear of the pneumatic motor's moving components and additional condensate is removed.

2.7 Pneumatic schematic diagram



| Position | Description |
|----------|----------------------|
| 1 | Air motor |
| 2 | Fan |
| 3 | Heat exchanger |
| 4 | Cyclone separator |
| 5 | Air distributor |
| 6 | Air preparation unit |
| 7 | Electric motor |
| 8 | Motor starter |

2.8 Electric schematic diagram

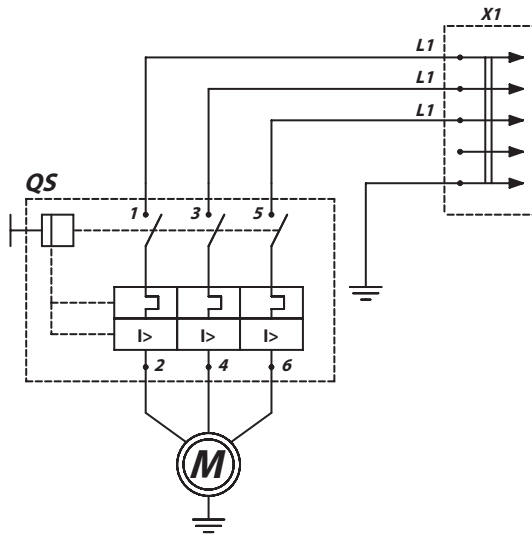


Fig. 2.4

| Position | Description |
|----------|-------------------------------|
| X1 | Power cable with 3xPhase plug |
| QS | Motor starter |
| M | Electric motor |

2.9 Air consumption diagram of pneumatic motor

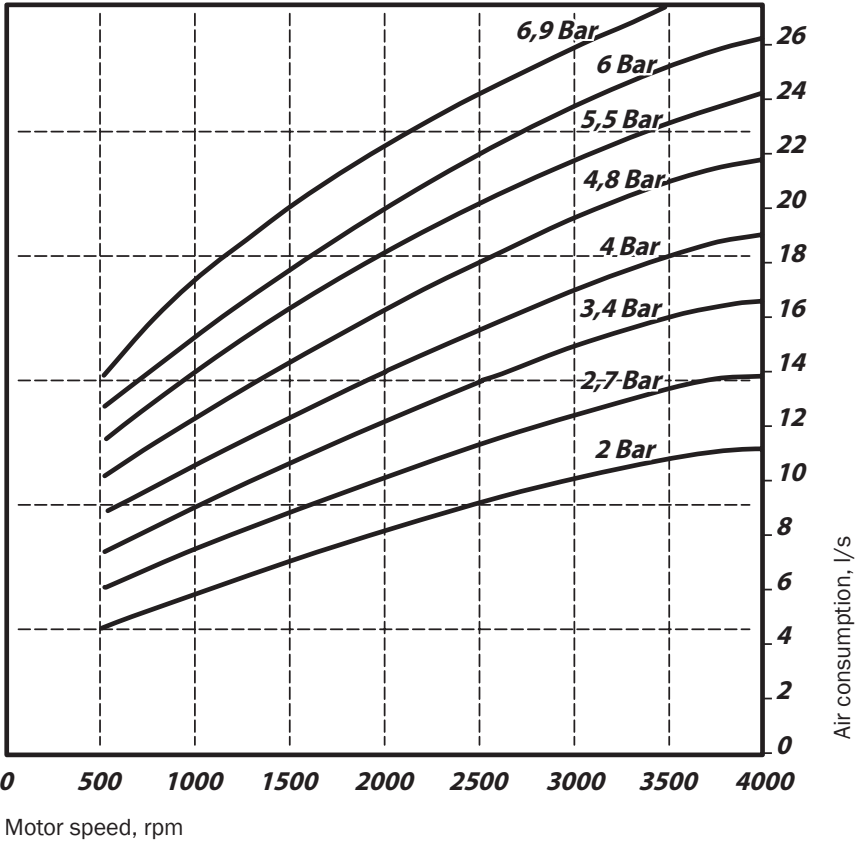


Fig. 2.5

ENGLISH

3. Acceptance of aftercooler

Upon delivery and unloading of the aftercooler, inspect the packaging for damage. Remove the packaging, inspect the aftercooler for damage. Pay close attention to the motor starter.

3.1 Preparation of compressed-air line

Connect the aftercooler to the compressed-air line. Provide the throughput capacity of the compressed-air line in accordance with the performance of the aftercooler.

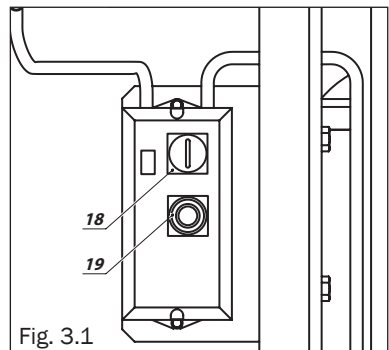
3.2 Before use and on a weekly basis

1. Open the condensate drain ball valve (8) and drain the condensate fully;
2. Close the ball valve;
3. Drain the condensate from the filter of the air-preparation unit (only for ACP models);
4. Check the oil level in the lubricator of the air-preparation unit (only for ACP models);
5. Close all ball valves on the distributing header (5);
6. Ensure the aftercooler's power cable is intact (only for ACE models);
7. Ensure that the compressed air hoses are connected to the compressed air inlet and the distributing header of the aftercooler.

3.3 Switching on aftercooler

For ACE:

1. Open the compressed air supply valve on the air line connected to the ACE.
2. Press the green button on the motor starter.



For ACP:

1. Open the compressed air supply valve on the air line connected to the ACP.

Aftercooler turned on

3.4 Switching off aftercooler

Close off the supply of compressed air via the compressor.

1. Press the red button on the motor starter (only for ACE models);
2. Open the condensate drain valve and drain the condensate fully;
3. Close the condensate drain valve;
4. Close all ball valves on the distributing header;

After pressing the button, the green status indicator on the motor starter should go out.

Aftercooler turned off.

3.5 After usage

Turn off the aftercooler and disconnect the power cable plug of the ACE aftercooler from the 380 V plug socket.

4. Maintenance

Before servicing, the compressed air hoses must be disconnected from the inlet and distributing header and the 380 V power cable must be disconnected from the mains.

On a weekly basis: check the condensate discharge on the cyclone separator, visually check how clean the filter of the air-production unit is, check the oil level in the lubricator and add oil if necessary.

On a monthly basis: Depending on the air quality indoors, but before the beginning of the summer season, the radiator should be cleaned with compressed air and the fins flushed if necessary to remove dirty sediment.

5. Fault handing

ACP

| Problem | Possible faults | Corrective action |
|----------------------------------------------|---------------------|-------------------------------------------------------------------------------------------------------------------------------------------------------------------------------------------------------------------------------------------------------------------------------------------|
| The blades of the wind turbine do not rotate | Weak air flow. | Check pressure on manometer of pressure regulator. |
| | Clogging. | Remove foreign objects from fan. |
| | Damaged components. | Inspect fan blades for damage. Replace faulty components. |
| | Lack of lubricant | Check free rotation of fan blades. If air motor rotates the blades, but slowly, a small amount of lubricant should be added directly into the motor and the fan blades turned 3-4 revolutions. If air motor does not rotate the fan, the air motor will have to be serviced or replaced. |
| Fan blades rotate slowly. | Weak air flow. | Check pressure on manometer of air-pressure unit. |
| | Clogging. | Remove foreign objects from fan. |
| | Damaged components. | Inspect fan blades for damage. Replace faulty components. |
| | Lack of lubricant | Check free rotation of fan blades. If air motor rotates the blades, but slowly, a small amount of lubricant should be added directly into the motor and the fan blades turned 3-4 revolutions. If air motor does not rotate the fan, the air motor will have to be serviced or replaced.. |
| Cyclone separator doesn't drain condensate. | Damaged components. | Inspect the condensate drain valve for damage. Replace faulty components |
| | Clogging. | Remove foreign objects from drain valve |

ACE

| Problem | Possible faults | Corrective action |
|----------------------------------------------------------|-----------------------------------------------------------------|-------------------------------------------------------------------------------------------------------------------------------------------|
| The blades of the wind turbine do not rotate | Safety fuse has blown or short circuit. | Check the fuse. |
| | Power unit is defective. | Check the power unit or cable connections, replacing them if necessary |
| | Damaged components. | Inspect fan blades for damage. Replace faulty components. |
| | Electric motor is defective. | Check free rotation of fan blades. If electric motor does not rotate the fan, the electric motor will have to be serviced or replaced. |
| Fan blades rotate slowly. | Safety fuse has blown or short circuit. | Check the fuse. |
| | Power unit is defective. | Check the power unit or cable connections, replacing them if necessary |
| | Damaged components. | Inspect fan blades for damage. Replace faulty components. |
| | Electric motor is defective. | Check free rotation of fan blades. If electric motor does not rotate the fan, the electric motor will have to be serviced or replaced. |
| Cyclone separator doesn't drain condensate. | Damaged components. | Inspect the condensate drain valve for damage. Replace faulty components. |
| | Clogging. | Remove foreign objects from drain valve |
| Cooler does not turn on after pressing the Start button. | One or several phases are absent in the electric power supply. | Check the mains power supply and rectify the fault. |
| | The phase sequence in the electric power supply has been upset. | Change the phase sequence in the electric power supply. |

6. Storage

The aftercooler should be stored at a temperature between +5° and +40°C with max. 85% relative humidity.

Inhalt

| | | |
|------------|-----------------------------------------------------------|-----------|
| 1. | Sicherheitsmaßnahmen | 21 |
| 1.1 | Einführung | 21 |
| 1.2 | Persönliche Schutzausrüstung | 21 |
| 1.3 | Allgemeine Sicherheitsmaßnahmen | 21 |
| 1.4 | Sicherheitsmaßnahmen bei Betrieb | 22 |
| 1.5 | Sicherheitsmaßnahmen für die Wartung und Reparatur | 23 |
| 2. | Gerät und Mechanismus | 24 |
| 2.1 | Funktion | 24 |
| 2.2 | Technische Daten | 24 |
| 2.3 | Äußerliche Merkmale des Nachkühlers | 25 |
| 2.4 | Lieferumfang | 25 |
| 2.5 | Hauptkomponenten | 26 |
| 2.6 | Beschreibung des Mechanismus | 27 |
| 2.7 | Pneumatischer Schaltplan | 28 |
| 2.8 | Elektrischer Schaltplan | 29 |
| 2.9 | Luftverbrauchsdiagramm des Druckluftantriebs | 30 |
| 3. | Annahme des Nachkühlers | 30 |
| 3.1 | Vorbereitung der Druckluftleitung | 31 |
| 3.2 | Vor Gebrauch und wöchentlich | 31 |
| 3.3 | Einschalten des Nachkühlers | 31 |
| 3.4 | Ausschalten des Nachkühlers | 32 |
| 3.5 | Nach Gebrauch | 32 |
| 4. | Wartung | 32 |
| 5. | Fehlerbehebung | 33 |
| 6. | Lagerung | 35 |

1. Sicherheitsmaßnahmen

Vor der Verwendung eines Druckluft-Nachkühlers, nachfolgend als Gerät bezeichnet, muss der Betreiber den Inhalt dieses Dokuments vollständig gelesen und verstanden haben.

Nur geschultes Personal darf das Gerät bedienen.

1.1 Einführung

Diese Anleitung ist in der Nähe des Geräts an einer für das Personal leicht zugänglichen Stelle aufzubewahren. Nur Wartungspersonal mit entsprechender Berufsausbildung ist es gestattet, das Compraq Gerät zu bedienen, zu warten und zu reparieren.

1.2 Persönliche Schutzausrüstung

Alle Personen, die sich im Bereich, in dem das Gerät betrieben wird, aufhalten, müssen folgende persönliche Schutzausrüstung tragen:

- Arbeitskleidung, die Hände und Füße schützt
- Stoßfeste Schutzbrille mit Seitenschutz
- Stellen Sie sicher, dass die Schutzkleidung fest sitzt und nicht lose ist und dass sich die Haare sicher unter einer Kopfbedeckung befinden.

Das Gerät darf keinesfalls bei Müdigkeit sowie nach dem Konsum von Alkohol, Drogen oder Medikamenten, die die Reaktionszeit reduzieren, verwendet werden.

1.3 Allgemeine Sicherheitsmaßnahmen

- Beschädigte Teile des Geräts sind baldmöglichst auszutauschen.
- Abgenutzte Teile des Geräts sind auf angemessene Weise zu ersetzen.
- Im Falle bzw. bei Verdacht der Überhitzung interner Komponenten des Geräts ist das Gerät umgehend auszuschalten.
- Der Arbeitsbereich des Geräts sollte sauber gehalten werden.

1.4 Sicherheitsmaßnahmen bei Betrieb

Wird das Gerät während der Wintermonate geliefert, ist das Gerät, nachdem es entladen wurde, vor dem Auspacken mindestens 12 Stunden in einem warmen Raum aufzubewahren. So wird verhindert, das Kondenswasser an die internen Komponenten gelangt.

Um das Eindringen von Feuchtigkeit in das pneumatische System zu verhindern, sollte die Druckluftzufuhr aus dem Kompressor frühestens 10 Minuten nachdem das Gerät eingeschaltet wurde, aktiviert werden.

Das Gerät darf nicht in explosionsgefährdeten Umgebungen oder in der Nähe von brennbaren Materialien und giftigen Dämpfen verwendet werden.

Stellen Sie vor dem Anschließen bzw. Trennen des Druckluftschlauchs an das bzw. von dem Gerät sicher, dass der Schlauch nicht unter Druck steht.

Vor der Inbetriebnahme sind alle Druckluftanschlüsse auf eine sichere Befestigung und mögliche Schäden hin zu überprüfen. Weiteres Zubehör wie Schmiervorrichtungen, Feuchtigkeitsabscheider etc. darf an die Druckluft-Einlass- und Auslassöffnungen des Geräts nicht angeschlossen werden.

Der Druckluftschlauch darf während des Betriebs, während er Druckluft führt, nicht vom Gerät getrennt werden.

Der Druckluftschlauch darf nicht auf Personen gerichtet werden.

Das Gerät sollte über das Bedienfeld ein-/ausgeschaltet werden.

Abgenutzte, beschädigte oder defekte Druckluftschläuche dürfen nicht verwendet werden.

Druckluftschläuche, die in Bezug auf Durchmesser und Arbeitsdruck nicht zu dem Gerät passen, dürfen nicht verwendet werden.

Stromanschlüsse dürfen während des Betriebs des Gerätes nicht berührt werden.

Nur ein professioneller Elektriker mit obligatorischem Stromschlagschutz darf auf die elektrischen Komponenten des Geräts zugreifen.

Kontrollieren Sie das Elektrokabel des Geräts regelmäßig. Schalten Sie das Gerät aus, wenn das Stromkabel beschädigt ist. Das Gerät sollte erst nach Austausch der Kabel und/oder der Behebung elektrischer Störungen wieder in Betrieb genommen werden.

Schalten Sie das Gerät aus, falls Sie außergewöhnliche Vibrationen, Lärm, Geruch oder andere Auffälligkeiten bemerken.

Verwenden Sie das Gerät ausschließlich mit einer Standard-Netzspannung. Über- oder Unterspannung kann die Lebensdauer des Produkts reduzieren. Ein Spannungsregler sollte für das Gerät verwendet werden, wenn es mit Unterspannung oder Überspannung betrieben wird.

1.5 Sicherheitsmaßnahmen für die Wartung und Reparatur

Die Verwendung des Geräts für nicht vorgesehene Zwecke, Umbauten am Gerät selbst sowie die Nichtbeachtung der Betriebsanleitung kann zu schweren Verletzungen oder zum Tod führen.

- Umbauten am Gerät sind verboten – die Garantie entfällt für veränderte Geräte;
- Es sind ausschließlich original Ersatz- und Zusatzteile zugelassen;
- Wartungsarbeiten dürfen nur durchgeführt werden, wenn das Gerät ausgeschaltet ist, von der Stromquelle getrennt ist, die Druckluftschläuche vom Gerät getrennt sind und beteiligte Personen Schutzbrillen tragen.
- Lassen Sie niemals Werkzeuge, Teile, Lappen, Tücher, Kleidung usw. nach Abschluss der Wartungsarbeiten im Gerät zurück.
- Brennbare Lösungsmittel dürfen nicht für die Reinigung des Geräts verwendet werden.
- Schweißen oder sonstige Metallarbeiten dürfen in der Nähe des Geräts nicht durchgeführt werden.
- Stellen Sie nach Abschluss der Wartungs- oder Reparaturarbeiten sicher, dass Arbeitsdruck und Temperatur den Sollwerten entsprechen.



VORSICHT!

Der ACE Nachkühler sollte nur mit dem Schütz-Starter ein-/ausgeschaltet werden.

Das Bewegen des Geräts während des Betriebs ist untersagt.

Das Gerät darf auf seinen Rädern maximal mit einer Geschwindigkeit von 20 km/h bewegt werden.

2. Gerät und Mechanismus

2.1 Funktion

ACP/ACE Druckluft-Nachkühler scheiden für das Sandstrahlen Kondensat und Öl aus dem Luftstrom ab. Empfohlene Anwendung zwischen dem Kompressor und der Sandstrahl-Ausrüstung.

2.2 Technische Daten

| | | | | | | |
|--------------------------------------------------------------------------|----------------------------------|--------------------------------------|--------------------------------------|----------------------------------|--------------------------------------|--------------------------------------|
| Produkt-Code | 14390011 | 14390012 | 14390013 | 14390001 | 14390002 | 14390003 |
| Modell | ACE-1 | ACE-2 | ACE-3 | ACP-1 | ACP-2 | ACP-3 |
| Maximaler Betriebsdruck, bar | 12 | | | | | |
| Kapazität (m ³ /min) | 20 | 30 | 45 | 20 | 30 | 45 |
| Spannung, V | 380~ /50 Hz | | | - | | |
| Maximalstrom, A | 0,44 | 1,59 | 1,68 | - | | |
| Leistung, kW | 0,3 | 0,7 | 0,9 | - | | |
| Druck des Luftmotors min/max, bar | - | | | 2 / 6 | | |
| Druckluftverbrauch bei min/max Druck des Luftmotors, m ³ /min | - | | | 0,6 / 1,4 | | |
| Gewindeanschluss, Einlass | 1 ½" | 2" | 3" | 1 ½" | 2" | 3" |
| Gewindeanschluss, Auslass | 1 x 3/4" 1 x 1" 1 x 1 1/4" | 1 x 3/4" 1 x 1 1/4" 1 x 1 1/2" | 1 x 3/4" 1 x 1 1/4" 2 x 1 1/2" | 1 x 3/4" 1 x 1" 1 x 1 1/4" | 1 x 3/4" 1 x 1 1/4" 1 x 1 1/2" | 1 x 3/4" 1 x 1 1/4" 2 x 1 1/2" |

2.3 Äußerliche Merkmale des Nachkühlers

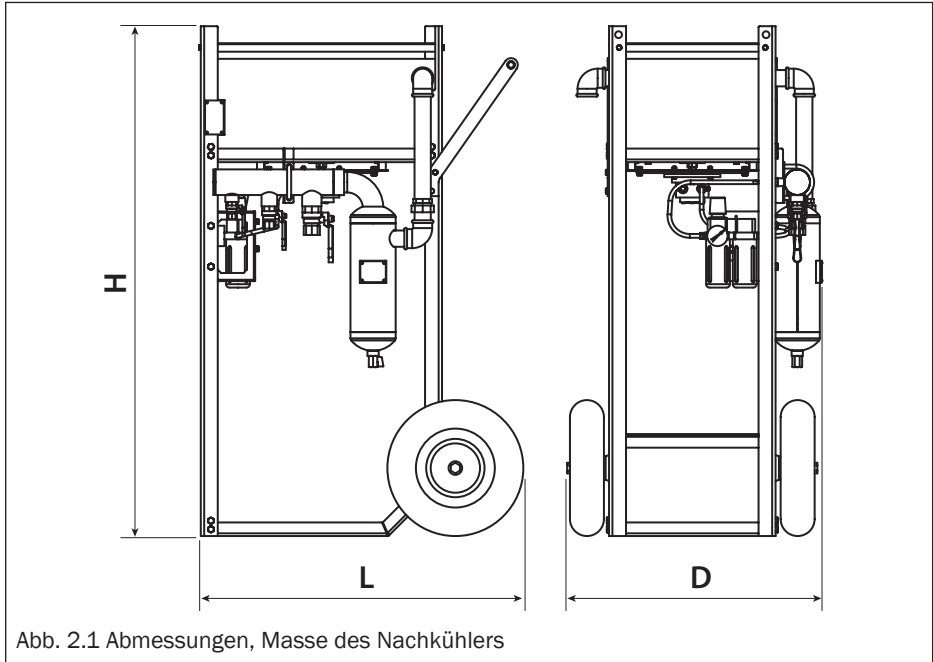


Abb. 2.1 Abmessungen, Masse des Nachkühlers

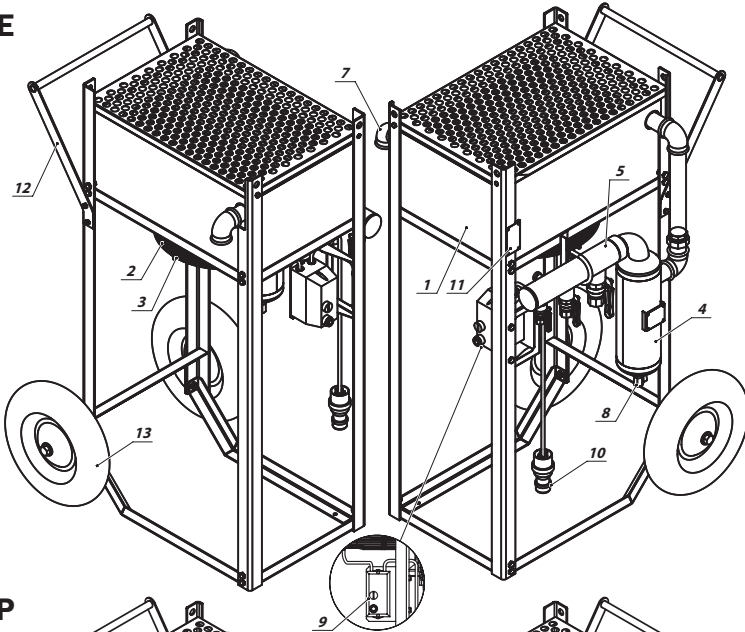
| Modell | Nachkühler | | | | Nachkühler (verpackt) | | | |
|--------|------------|--------------|-------------|-----------|-----------------------|------------|-----------|-----------|
| | Höhe H, mm | Breite D, mm | Länge L, mm | Masse, kg | Höhe, mm | Breite, mm | Länge, mm | Masse, kg |
| ACE-1 | 1.500 | 735 | 950 | 82 | 1.630 | 790 | 1.100 | 103 |
| ACP-1 | | | | 76 | | | | 97 |
| ACE-2 | | 840 | 1.080 | 103 | | 915 | 1.230 | 126 |
| ACP-2 | | | | 96 | | | | 119 |
| ACE-3 | | 1.050 | 1.280 | 153 | | 1.090 | 1.430 | 182 |
| ACP-3 | | | | 146 | | | | 175 |

2.4 Lieferumfang

1. Nachkühler – 1 Stck.
2. Verpackung – 1 Stck.
3. Ordner mit Unterlagen – 1 Stck.

2.5 Hauptkomponenten

ACE



ACP

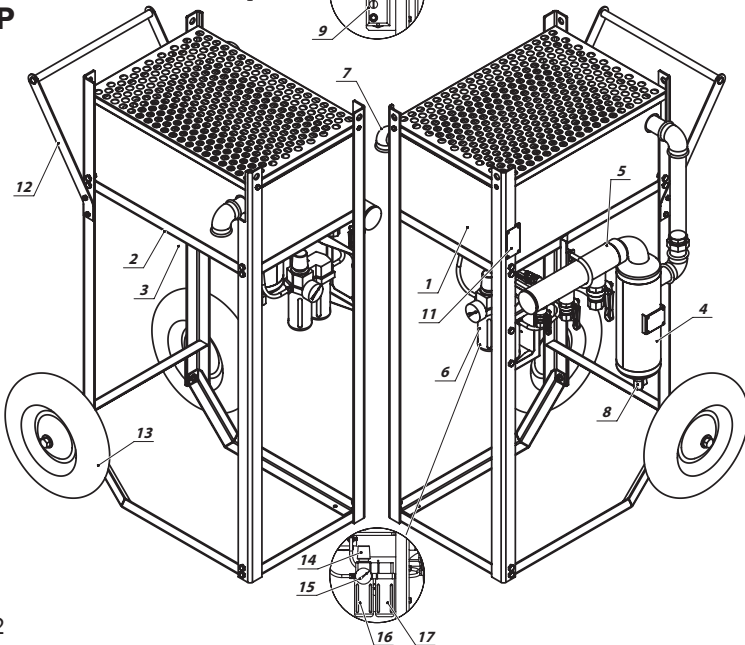


Abb. 2.2

| | |
|----------------------------------------|---------------------------|
| 1 – Wärmetauscher | 10 – Stromkabel (nur ACE) |
| 2 – Lüfter | 11 – Namensplakette |
| 3 – Motor | 12 – Transportgriff |
| 4 – Zyklonabscheider | 13 – Rad |
| 5 – Luftverteiler | 14 – Druckregler |
| 6 – Luftaufbereitungseinheit (nur ACP) | 15 – Manometer |
| 7 – Einlassanschluss für Druckluft | 16 – Filter |
| 8 – Ablassventil | 17 – Schmiervorrichtung |
| 9 – Motoranlasser (Nur ACE) | |

2.6 Beschreibung des Mechanismus

Modell ACE:

Druckluft aus dem Kompressor strömt durch die Luftleitung in den Wärmetauscher (3) ein, wo sie durch das Gebläse mit Elektroantrieb (2), die mit dem Schütz-Starter (8) eingeschaltet wird, abgekühlt wird. Die abgekühlte Luft aus dem Wärmetauscher gelangt anschließend in den Zyklonabscheider (4), in dem die Luft unter Feuchtigkeitsentzug getrocknet wird. Vom Zyklonabscheider strömt die Druckluft in den Verteilerkopf (5), wo sie auf bis zu drei Verbraucher gleichzeitig aufgeteilt wird.

Modell ACP:

Druckluft aus dem Kompressor strömt durch die Luftleitung in den Wärmetauscher (3) ein, wo sie durch das Gebläse mit Druckluftantrieb (2) abgekühlt wird. Die Lüfterdrehzahl wird über einen Druckregler an der Luftaufbereitungseinheit geregelt. Die abgekühlte Luft aus dem Wärmetauscher gelangt anschließend in den Zyklonabscheider (4), in dem die Luft unter Feuchtigkeitsentzug getrocknet wird. Vom Zyklonabscheider strömt die Druckluft in den Verteilerkopf (5), wo sie auf bis zu drei Verbraucher gleichzeitig aufgeteilt und über die Luftaufbereitungseinheit (6) an den Druckluftantrieb (1) weitergeleitet wird. In der Luftaufbereitungseinheit wird Öl zugesetzt, um den Verschleiß der beweglichen Komponenten des Druckluftantriebs zu reduzieren, und zusätzliches Kondenswasser entfernt.

2.7 Pneumatischer Schaltplan

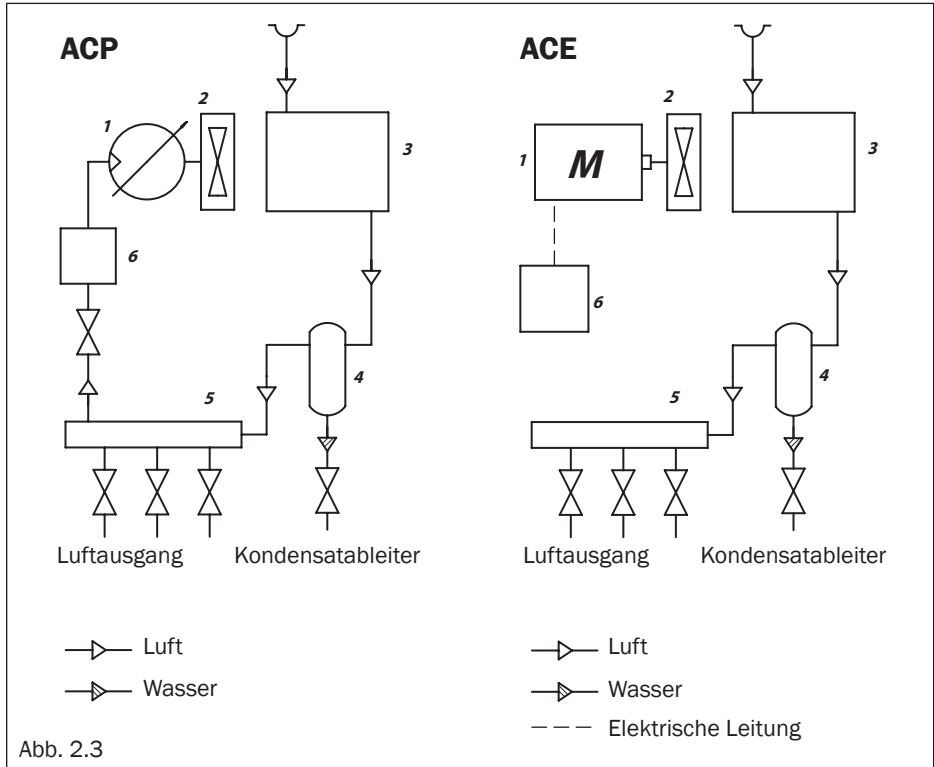


Abb. 2.3

| Position | Beschreibung |
|----------|--------------------------|
| 1 | Luftmotor |
| 2 | Lüfter |
| 3 | Wärmetauscher |
| 4 | Zyklonabscheider |
| 5 | Luftverteiler |
| 6 | Luftaufbereitungseinheit |
| 7 | Elektroantrieb |
| 8 | Motoranlasser |

2.8 Elektrischer Schaltplan

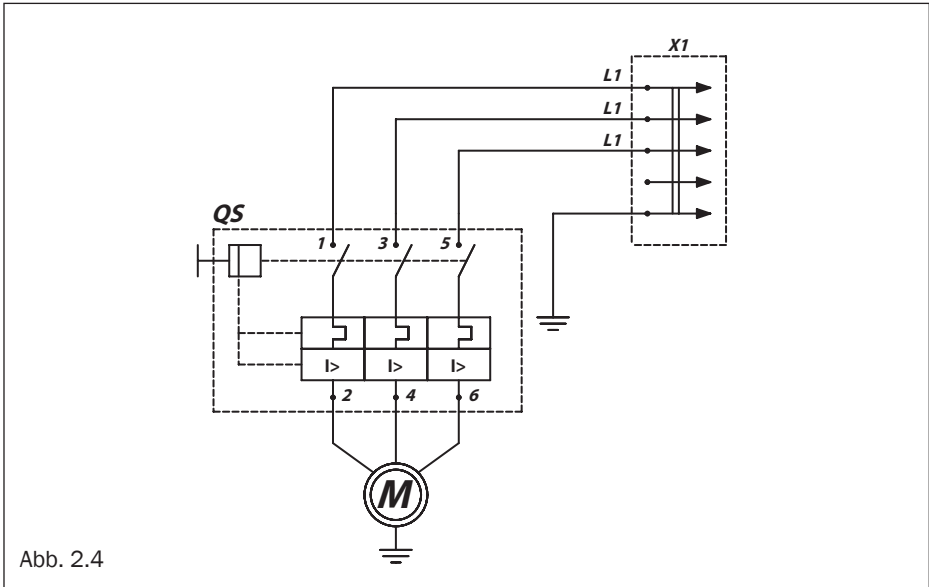


Abb. 2.4

| Position | Beschreibung |
|----------|--------------------------------|
| X1 | Netzkabel mit 3-Phasen-Stecker |
| QS | Motoranlasser |
| M | Elektroantrieb |

2.9 Luftverbrauchsdiagramm des Druckluftantriebs

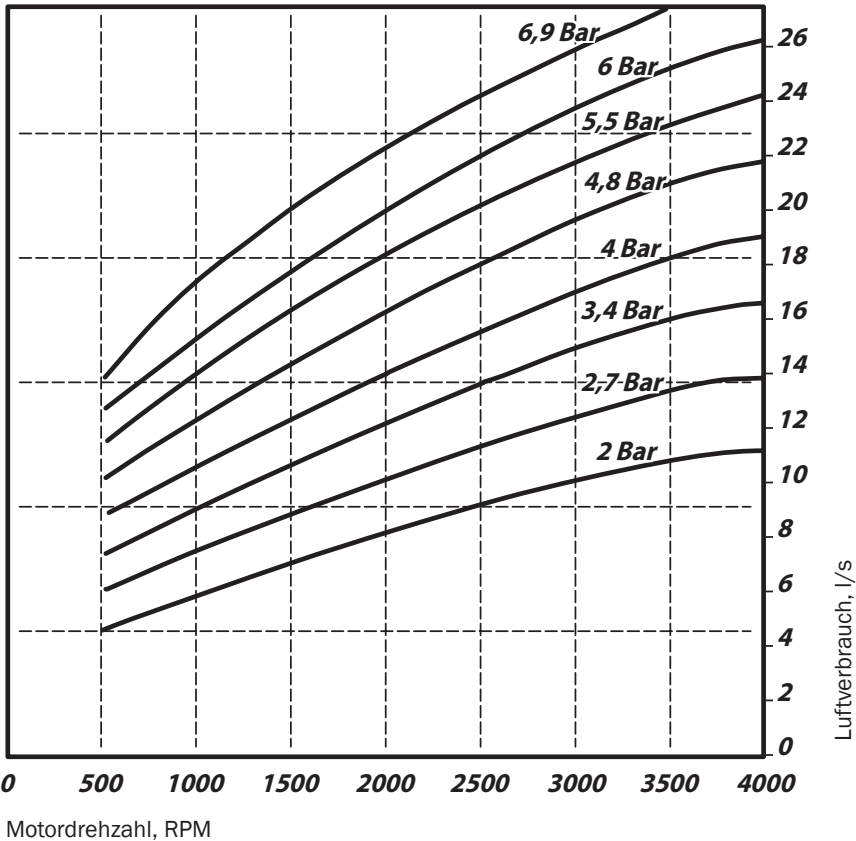


Abb. 2.5

3. Annahme des Nachkühlers

Überprüfen Sie die Verpackung bei der Lieferung und beim Entladen des Nachkühlers auf Beschädigungen. Entfernen Sie die Verpackung und überprüfen Sie den Nachkühler auf Schäden. Achten Sie genau auf den Motoranlasser.

3.1 Vorbereitung der Druckluftleitung

Schließen Sie den Nachkühler an die Druckluftleitung ein. Stellen Sie die Durchsatzleistung der Druckluftleitung in Übereinstimmung mit der Leistung des Nachkühlers ein.

3.2 Vor Gebrauch und wöchentlich

1. Öffnen Sie das Kondenswasser-Ablaufkugelventil (8) und lassen Sie das Kondenswasser vollständig ab.
2. Schließen Sie das Kugelventil.
3. Lassen Sie das Kondenswasser aus dem Filter der Luftaufbereitungseinheit ab (nur bei ACP Modellen).
4. Kontrollieren Sie den Ölstand in der Schmiervorrichtung der Luftaufbereitungseinheit (nur bei ACP Modellen).
5. Schließen Sie alle Kugelventile des Verteilerkopfes (5).
6. Stellen Sie sicher, dass das Netzkabel des Nachkühlers intakt ist (nur bei ACE Modellen).
7. Stellen Sie sicher, dass die Druckluftschläuche an den Drucklufteinlass und den Verteilerkopf des Nachkühlers angeschlossen sind.

3.3 Einschalten des Nachkühlers

Modell ACE

1. Öffnen Sie das Druckluftzufuhrventil an der Luftleitung, die an den ACE angeschlossen ist.
2. Betätigen Sie den grünen Schalter am Schütz-Starter.

Modell ACP

1. Öffnen Sie das Druckluftzufuhrventil an der Luftleitung, die an den ACP angeschlossen ist.

Nachkühler eingeschaltet

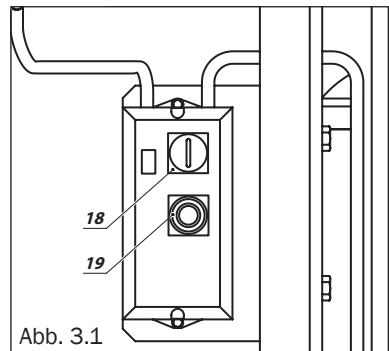


Abb. 3.1

3.4 Ausschalten des Nachkühlers

Schließen die Druckluftzufuhr vom Kompressor.

1. Betätigen Sie den roten Schalter des Schütz-Starters (nur bei ACE Modellen).
2. Öffnen Sie das Kondenswasser-Ablaufventil und lassen Sie das Kondenswasser vollständig ab.
3. Schließen Sie das Kondenswasser-Ablaufventil.
4. Schließen Sie alle Kugelventile des Verteilerkopfes.

Nachdem Sie den Schalter betätigt haben, sollte die grüne Statusanzeige des Schütz-Starters ausgehen.

Nachkühler ausgeschaltet

3.5 Nach Gebrauch

Schalten Sie den Nachkühler aus und ziehen Sie den Netzstecker des Nachkühlers aus der 380 V Steckdose.

4. Wartung

Vor der Wartung müssen die Druckluftschläuche vom Einlass und vom Verteilerkopf sowie das 380 V Netzkabel vom Stromnetz getrennt werden.

Wöchentlich: Überprüfen Sie das aus dem Zyklonabscheider austretende Kondenswasser, kontrollieren Sie visuell, wie sauber der Filter der Luft-Produktionseinheit ist, kontrollieren Sie den Ölstand in der Schmiervorrichtung und füllen Sie bei Bedarf Öl nach.

Monatlich: Je nach der Luftqualität in den Innenräumen, jedoch unbedingt vor Beginn des Sommers, sollte der Wärmetauscher mit Druckluft gereinigt und die Rippen, wenn nötig, gespült werden, um mögliche Verschmutzungen zu entfernen.

5. Fehlerbehebung

ACP

| Problem | Mögliche Störung | Korrekturmaßnahme |
|--------------------------------------------|-------------------------|---------------------------------------------------------------------------------------------------------------------------------------------------------------------------------------------------------------------------------------------------------------------------------------------------------------------------------------------|
| Die Blätter des Lüfters drehen sich nicht. | Schwacher Luftstrom | Druck auf Druckregler-Manometer überprüfen. |
| | Verstopfung. | Fremdkörper aus Lüfter entfernen. |
| | Beschädigte Komponenten | Untersuchen Sie die Lüfterblätter auf Beschädigungen. Defekte Teile austauschen |
| | Schmierstoffmangel | Freie Drehbarkeit der Lüfterblätter überprüfen Wenn der pneumatische Antrieb die Blätter nur langsam dreht, sollte eine kleine Menge Schmiermittel direkt in den Antrieb gegeben werden und der Lüfter 3-4 Umdrehungen gedreht werden. Wenn der pneumatische Antrieb den Lüfter nicht dreht, muss der Antrieb gewartet oder ersetzt werden. |
| Lüfterblätter drehen sich langsam. | Schwacher Luftstrom | Druck auf Luftdruckeinheit-Manometer überprüfen. |
| | Verstopfung. | Fremdkörper aus Lüfter entfernen. |
| | Beschädigte Komponenten | Untersuchen Sie die Lüfterblätter auf Beschädigungen. Defekte Teile austauschen |
| | Schmierstoffmangel | Freie Drehbarkeit der Lüfterblätter überprüfen Wenn der pneumatische Antrieb die Blätter nur langsam dreht, sollte eine kleine Menge Schmiermittel direkt in den Antrieb gegeben werden und der Lüfter 3-4 Umdrehungen gedreht werden. Wenn der pneumatische Antrieb den Lüfter nicht dreht, muss der Antrieb gewartet oder ersetzt werden. |

| | | |
|----------------------------------------------------|--------------------------|---------------------------------------------------------------------------------------|
| Kondenswasser aus Zyklonabscheider läuft nicht ab. | Beschädigte Komponenten. | Untersuchen Sie das Kondenswasser-Ablaufventil auf Schäden. Defekte Teile austauschen |
| | Verstopfung. | Fremdkörper aus Ablaufventil entfernen |

ACE

| Problem | Mögliche Störung | Korrekturmaßnahme |
|----------------------------------------------------|------------------------------------------|---------------------------------------------------------------------------------------------------------------------------------------------------|
| Die Blätter des Lüfters drehen sich nicht. | Sicherung durchgebrannt oder Kurzschluss | Prüfen Sie die Sicherung. |
| | Netzteil ist defekt. | Überprüfen Sie das Netzteil sowie die Kabelverbindungen und tauschen Sie sie, wenn nötig, aus. |
| | Beschädigte Komponenten | Untersuchen Sie die Lüfterblätter auf Beschädigungen. Defekte Teile austauschen |
| | Elektromotor ist defekt. | Freie Drehbarkeit der Lüfterblätter überprüfen Wenn der Elektromotor den Lüfter nicht dreht, muss der Elektromotor gewartet oder ersetzt werden. |
| Lüfterblätter drehen sich langsam. | Sicherung durchgebrannt oder Kurzschluss | Prüfen Sie die Sicherung. |
| | Netzteil ist defekt. | Überprüfen Sie das Netzteil sowie die Kabelverbindungen und tauschen Sie sie, wenn nötig, aus. |
| | Beschädigte Komponenten | Untersuchen Sie die Lüfterblätter auf Beschädigungen. Defekte Teile austauschen. |
| | Elektromotor ist defekt. | Freie Drehbarkeit der Lüfterblätter überprüfen. Wenn der Elektromotor den Lüfter nicht dreht, muss der Elektromotor gewartet oder ersetzt werden. |
| Kondenswasser aus Zyklonabscheider läuft nicht ab. | Beschädigte Komponenten. | Untersuchen Sie das Kondenswasser-Ablaufventil auf Schäden. Defekte Teile austauschen. |
| | Verstopfung. | Fremdkörper aus Ablaufventil entfernen |

| | | |
|------------------------------------------------------------------------|----------------------------------------------|----------------------------------------------------------------|
| Kühler lässt sich durch Drücken des Start-Schalters nicht einschalten. | Eine oder mehrere Phasen im Netzteil fehlen. | Prüfen Sie die Netzstromversorgung und beheben Sie den Fehler. |
| | Die Phasensequenz im Netzteil ist gestört. | Ändern Sie die Phasensequenz im Netzteil. |

6. Lagerung

Der Nachkühler ist bei einer Temperatur zwischen +5° und +40 °C und bei einer maximalen relativen Luftfeuchtigkeit von 85 % zu lagern.

Содержание

| | | |
|-----------|----------------------------------------------------------|-----------|
| 1. | Меры безопасности | 39 |
| 1.1 | Введение | 39 |
| 1.2 | Средства индивидуальной защиты | 39 |
| 1.3 | Общие меры безопасности | 39 |
| 1.4 | Меры безопасности при эксплуатации | 40 |
| 1.5 | Меры безопасности при техническом обслуживании и ремонте | 41 |
| 2. | Устройство и принцип действия | 42 |
| 2.1 | Назначение | 42 |
| 2.2 | Технические данные | 42 |
| 2.3 | Внешний вид доохладителя | 43 |
| 2.4 | Комплект поставки | 43 |
| 2.5 | Основные компоненты | 44 |
| 2.6 | Описание принципа действия | 45 |
| 2.7 | Схема пневматическая | 46 |
| 2.8 | Схема электрическая принципиальная | 47 |
| 2.9 | График расхода воздуха пневмодвигателя | 48 |

© 2014 Contracor ®. Все права защищены.

Перепечатка текста и / или использование графики, допускается только с письменного разрешения Contracor ®.

Производитель оставляет за собой право без уведомления потребителя вносить изменения в конструкцию изделий для улучшения их технологических и эксплуатационных параметров.

Вид изделий может незначительно отличаться от представленных на изображениях.

| | | |
|-----------|--------------------------------------------------|-----------|
| 3. | Приемка доохладителя | 49 |
| 4. | Эксплуатация | 49 |
| | 4.1 Подготовка магистрали сжатого воздуха | 49 |
| | 4.2 Перед началом работы и ежедневно | 50 |
| | 4.3 Включение доохладителя | 50 |
| | 4.4 Выключение доохладителя | 51 |
| | 4.5 По окончании работы | 51 |
| 5. | Техническое обслуживание | 52 |
| 6. | Устранение неисправностей | 53 |
| 7. | Хранение | 55 |

1. Меры безопасности

Перед использованием любого доохладителя сжатого воздуха, далее по тексту – оборудования, оператор должен прочесть и уяснить содержание данного документа.

К работе с оборудованием допускается только обученный персонал.

1.1 Введение

Данное руководство должно храниться вблизи от оборудования в доступном для обслуживающего персонала месте. К эксплуатации, техническому обслуживанию и ремонту оборудования Contracor допускается только обслуживающий персонал с соответствующей степенью профессиональной подготовки.

1.2 Средства индивидуальной защиты

Всем, кто находится в области работы оборудования, следует применять средства индивидуальной защиты:

- Рабочая одежда, которая защищает руки и ноги

- Очки противоударные с боковой защитой

Убедитесь, что спецодежда застегнута, волосы убраны под головной убор.

Оператору запрещается работать с оборудованием, если оператор утомлен, находится под воздействием алкоголя, наркотических средств или лекарственных препаратов, вызывающих замедленную реакцию организма.

1.3 Общие меры безопасности

- Поврежденные детали оборудования должны заменяться сразу же после выхода из строя

- Изношенные детали оборудования должны заменяться своевременно

В случае перегрева внутренних деталей оборудования или в случае подозрений на перегрев оборудование должно быть немедленно выключено.

Поддерживайте рабочую зону оборудования в чистоте.

1.4 Меры безопасности при эксплуатации

Если доставка оборудования осуществлялась в холодный сезон, то после разгрузки в теплом помещении необходимо выдержать оборудование не менее 12 часов перед вскрытием упаковки. Это позволит избежать выпадения конденсата на внутренних деталях оборудования.

Для исключения попадания влаги в пневмосистему, подачу сжатого воздуха от компрессора необходимо начинать не ранее, чем через 10 минут после включения оборудования.

Запрещается использовать оборудование во взрывоопасной среде, в присутствии воспламеняемых материалов, токсичных паров.

Перед подсоединением или отсоединением рукава сжатого воздуха удостоверьтесь в отсутствии давления в рукаве перед отсоединением рукава от оборудования.

Перед началом работы необходимо проверить, что все соединения сжатого воздуха надежно закреплены и на них отсутствуют повреждения. Запрещается устанавливать дополнительные аксессуары, такие как масленка, влагоотделитель и др. непосредственно на входное и выходное отверстие сжатого воздуха оборудования.

Во время работы запрещается отсоединять воздушный рукав, если по нему в этот момент подается сжатый воздух.

Запрещается направлять воздушный рукав со сжатым воздухом в сторону людей.

Запрещается использовать изношенные, поврежденные или испорченные рукава сжатого воздуха.

Запрещается использовать рукава сжатого воздуха, неподходящие оборудованию по диаметру и рабочему давлению.

Запрещается прикасаться к разъемам питания во время работы оборудования.

Доступ к электрическим компонентам оборудования под напряжением разрешается только квалифицированному электрику с обязательным применением средств защиты от поражения электрическим током.

Осуществляйте регулярную проверку электрического кабеля оборудования. При обнаружении поврежденного кабеля произведите отключение оборудования. Дальнейшая работа оборудования допускается только после замены кабелей и/или устранения электрической неисправности.

При возникновении чрезмерной вибрации, шума, запаха и другой аномальной ситуации выключите оборудование.

Используйте оборудование только при номинальном напряжении питания. Повышенное или пониженное напряжение питания приводят к сокращению срока службы изделия. Следует применять стабилизатор напряжения для оборудования в условиях работы при пониженном или повышенном напряжении питания.

1.5 Меры безопасности при техническом обслуживании и ремонте

Использование оборудования не по назначению, внесение конструктивных изменений, нарушение правил эксплуатации может привести к получению увечий или смерти.

- Запрещается внесение конструктивных изменений в оборудование. Гарантия на модифицированное оборудование не действует;

- Разрешается использовать только оригинальные запасные части и вспомогательные принадлежности;

- Все работы по техническому обслуживанию должны производиться при выключенном оборудовании, с отключенном от сети кабелем питания, с отсоединенными от оборудования рукавами сжатого воздуха, работы необходимо проводить в защитных очках;

После завершения технического обслуживания никогда не оставляйте инструменты, детали, ветошь, тряпки, одежду и т.п. на корпусе оборудования.

- Запрещается для очистки оборудования использовать легковоспламеняющиеся растворители;

Запрещается проводить сварочные или слесарные работы вблизи оборудования.

После завершения технического обслуживания или ремонта удостоверьтесь, что рабочее давление, температура соответствуют номинальным значениям;



ВНИМАНИЕ!

Включение/выключение доохладителя ACE следует осуществлять только через пускатель электромагнитный.

Запрещается перемещение оборудования с места на место во время его работы.

Запрещается перемещение оборудования, используя собственные колеса, со скоростью более 20 км/ч.

2. Устройство и принцип действия

2.1 Назначение

Доохладители сжатого воздуха Contracor ACE/ACP предназначены для удаления конденсата и масла из воздушного потока при абразивоструйной очистке. Рекомендуемое применение – в воздушной магистрали между компрессором и абразивоструйным аппаратом.

2.2 Технические данные

| Артикул | 14390011 | 14390012 | 14390013 | 14390001 | 14390002 | 14390003 |
|----------------------------------------------------------------------------|-------------------------------------|--------------------------------|----------------------------------|--------------------------------|--------------------------------|----------------------------------|
| Модель | ACE-1 | ACE-2 | ACE-3 | ACP-1 | ACP-2 | ACP-3 |
| Максимальное рабочее давление, бар | 12 | | | | | |
| Производительность, мЗ/мин | 20 | 30 | 45 | 20 | 30 | 45 |
| Напряжение питания, В | 380~ /50 Гц | | | - | | |
| Максимальный ток, А | 0,44 | 1,59 | 1,68 | - | | |
| Потребляемая мощность, кВт | 0,3 | 0,7 | 0,9 | - | | |
| Давление воздушного мотора min/тах, бар | - | | | 2 / 6 | | |
| Потребление сжатого воздуха при min/тах давлении воздушного мотора, мЗ/мин | - | | | 0,6 / 1,4 | | |
| Резьбовое соединение, вход | 1 1/2" | 2" | 3" | 1 1/2" | 2" | 3" |
| Резьбовое соединение, выход | 1x3/4" 1x1" 1x1 1/4" | 1x3/4" 1x1 1/4" 1x1 1/2" | 1 x 3/4" 1x1 1/4" 2x1 1/2" | 1 x 3/4" 1 x 1" 1x1 1/4" | 1x3/4" 1x1 1/4" 1x1 1/2" | 1 x 3/4" 1x1 1/4" 2x1 1/2" |
| Размер колес, мм | 4,80/4,00-8, внешний диаметр 400 мм | | | | | |
| Давление воздуха в шинах, не более, бар | 2 | | | | | |

2.3 Внешний вид доохладителя

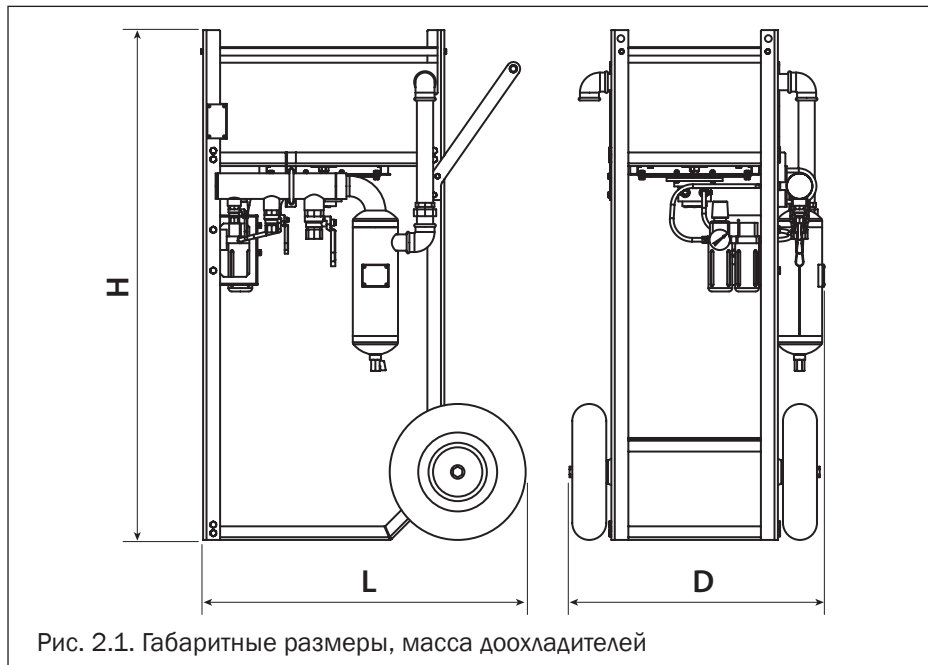


Рис. 2.1. Габаритные размеры, масса доохладителей

| Модель | Дохладитель | | | | Дохладитель в упаковке | | | |
|--------|--------------|--------------|-------------|-----------|------------------------|------------|-----------|-----------|
| | Высота H, мм | Ширина D, мм | Длина L, мм | Масса, кг | Высота, мм | Ширина, мм | Длина, мм | Масса, кг |
| ACE-1 | 1500 | 735 | 950 | 82 | 1630 | 790 | 1100 | 103 |
| ACP-1 | | | | 76 | | | | 97 |
| ACE-2 | | 840 | 1080 | 103 | | 915 | 1230 | 126 |
| ACP-2 | | | | 96 | | | | 119 |
| ACE-3 | | 1050 | 1280 | 153 | | 1090 | 1430 | 182 |
| ACP-3 | | | | 146 | | | | 175 |

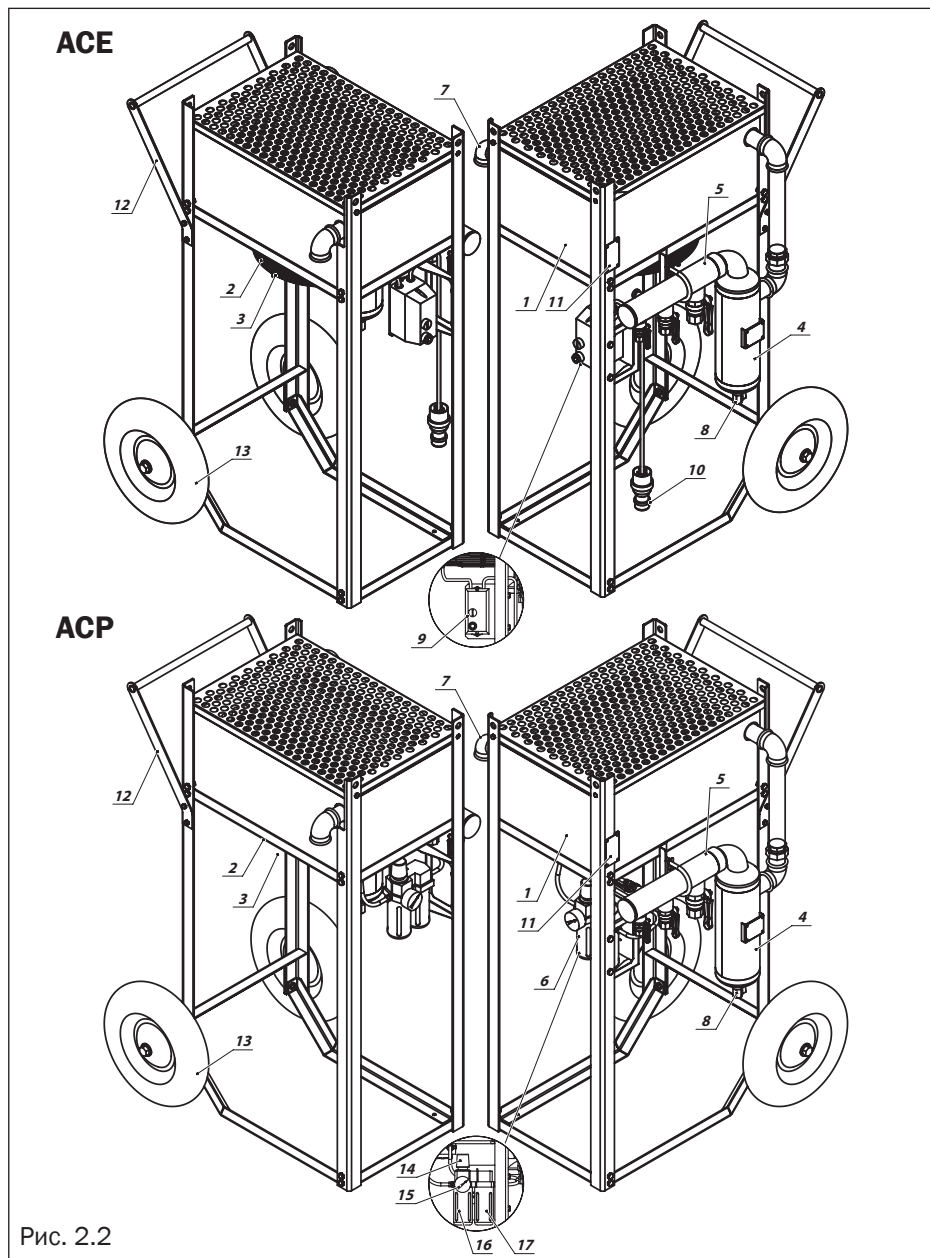
2.4 Комплект поставки

Дохладитель – 1 шт.

Упаковка – 1 шт.

Папка с документацией – 1 шт.

2.5 Основные компоненты



- | | |
|-------------------------------------------------|--------------------------------------|
| 1. Радиатор | 10. Кабель питания (для моделей ACE) |
| 2. Вентилятор | 11. Шильдик |
| 3. Двигатель | 12. Ручка для перемещения |
| 4. Циклонный сепаратор | 13. Колесо |
| 5. Раздаточный коллектор | 14. Регулятор давления |
| 6. Блок подготовки воздуха (для моделей ACP) | 15. Манометр |
| 7. Входное отверстие сжатого воздуха | 16. Фильтр |
| 8. Кран шаровый слива конденсата | 17. Масленка |
| 9. Пускатель электромагнитный (для моделей ACE) | |

2.6 Описание принципа действия

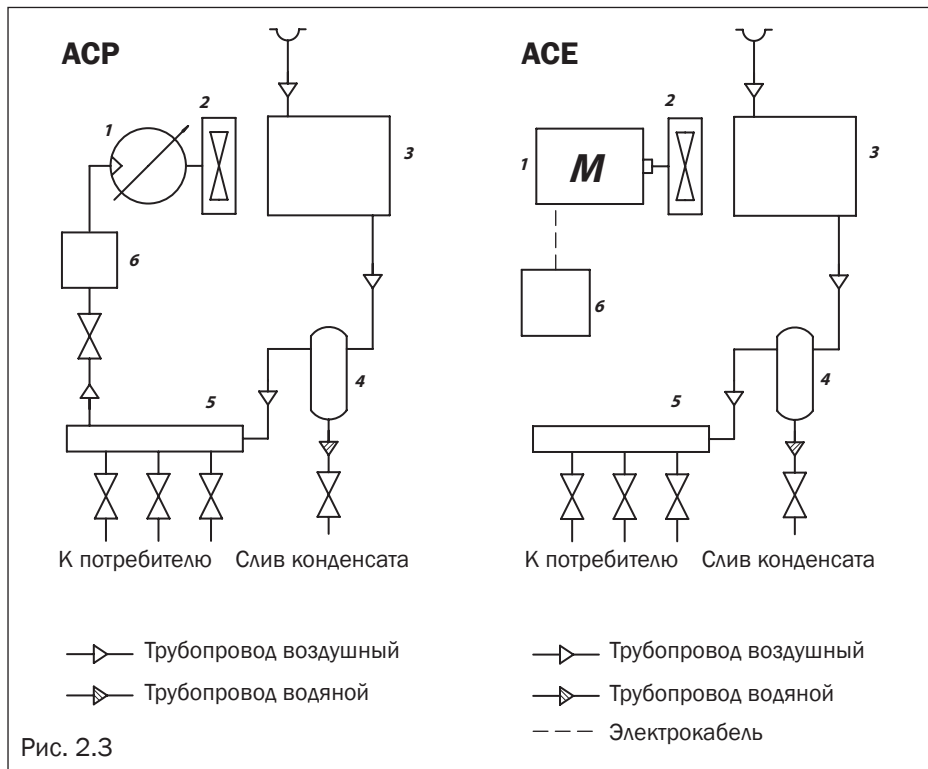
Для модели ACE:

Сжатый воздух от компрессора по воздушной магистрали поступает в радиатор (3), где охлаждается при помощи вентилятора (2) с электрическим приводом (7), который включается пускателем электромагнитным (8). Охлажденный из радиатора воздух поступает в циклонный сепаратор (4), где происходит осушение воздуха за счет удаления из него влаги. Из циклонного сепаратора сжатый воздух поступает в раздаточный коллектор (5), из которого может быть подан 3-4 потребителям одновременно.

Для модели ACP:

Сжатый воздух от компрессора по воздушной магистрали поступает в радиатор (3), где охлаждается при помощи вентилятора (2) с пневмоприводом (1). Скорость вращения вентилятора настраивается регулятором давления на блоке подготовки воздуха. Охлажденный из радиатора воздух поступает в циклонный сепаратор (4), где происходит осушение воздуха за счет удаления из него влаги. Из циклонного сепаратора сжатый воздух поступает в раздаточный коллектор (5), из которого может быть подан 3-4 потребителям одновременно, а также поступает через блок подготовки воздуха (6) в пневмодвигатель (1). В блоке подготовки воздуха добавляется масло для уменьшения износа движущихся частей пневмодвигателя и осуществляется дополнительное отделение конденсата.

2.7 Схема пневматическая



| Обозначение | Наименование |
|-------------|----------------------------|
| 1 | Пневмодвигатель |
| 2 | Вентилятор |
| 3 | Радиатор |
| 4 | Циклонный сепаратор |
| 5 | Раздаточный коллектор |
| 6 | Блок подготовки воздуха |
| 7 | Электродвигатель |
| 8 | Пускатель электромагнитный |

2.8 Схема электрическая принципиальная

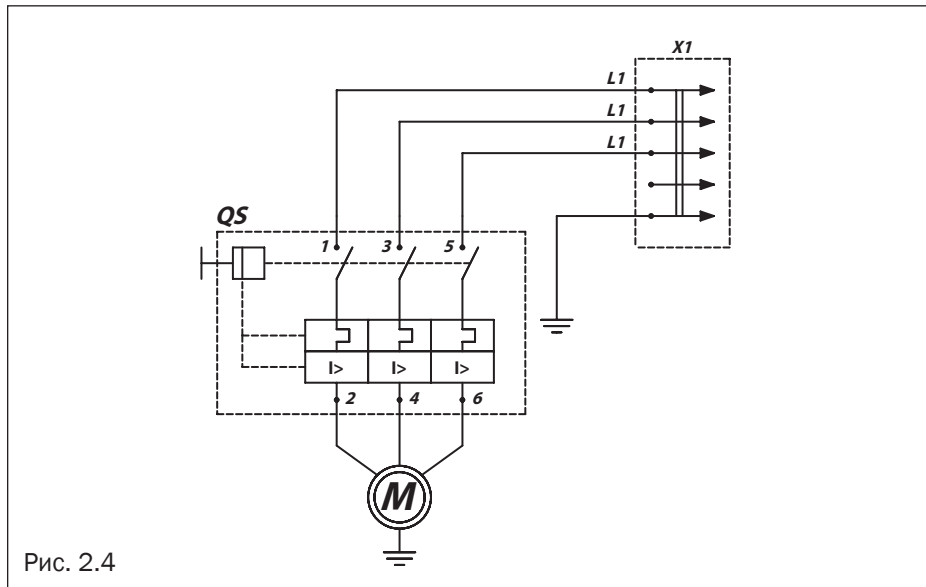


Рис. 2.4

| Обозначение | Наименование |
|-------------|----------------------------|
| X1 | Вилка сетевая 380 В |
| QS | Пускатель электромагнитный |
| M | Электродвигатель |

2.9 График расхода воздуха пневмодвигателя

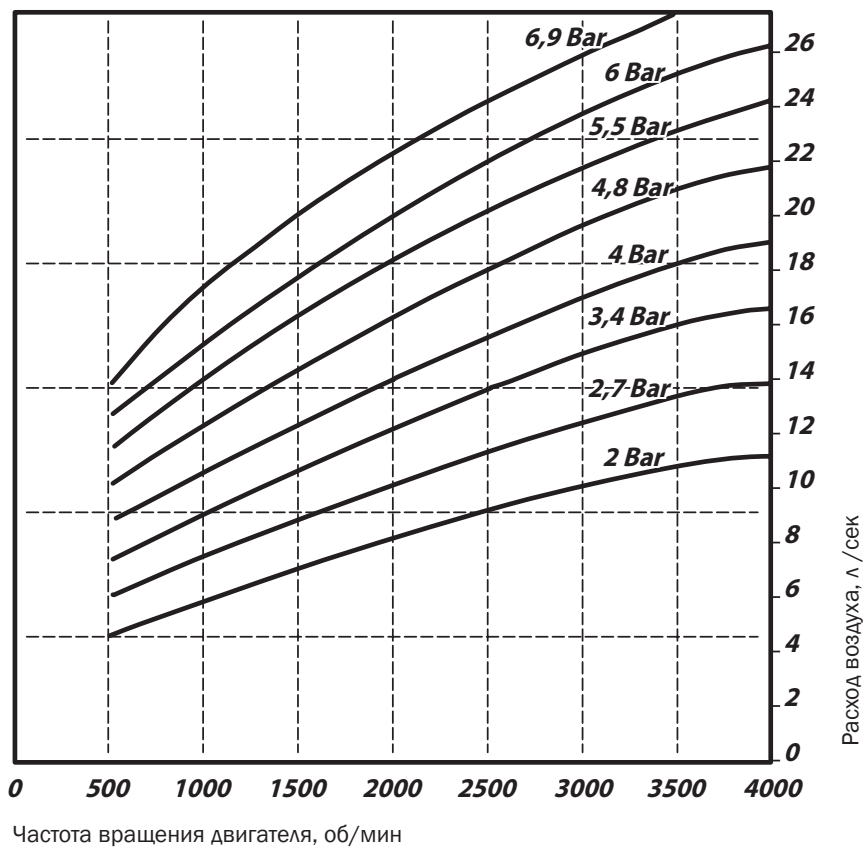


Рис. 2.5

3. Приемка доохладителя



ВНИМАНИЕ!

Если доставка доохладителя осуществлялась в холодный сезон, то после разгрузки в теплом помещении необходимо выдержать компрессор не менее 12 часов перед вскрытием упаковки. Это позволит избежать выпадения конденсата на внутренних деталях доохладителя.

После доставки и разгрузки доохладителя произведите осмотр упаковки на наличие повреждений. Снимите упаковку, осмотрите доохладитель на наличие повреждений. Обратите особое внимание на пускатель электромагнитный.



ВНИМАНИЕ!

В случае обнаружения описанных выше недостатков или дефектов обращайтесь за разъяснением дальнейших действий к вашему поставщику доохладителя.

4. Эксплуатация

4.1 Подготовка магистрали сжатого воздуха

Подключите доохладитель к магистрали сжатого воздуха. Обеспечьте пропускную способность магистрали сжатого воздуха в соответствии с производительностью доохладителя.



ВНИМАНИЕ!

Все компоненты магистрали сжатого воздуха должны иметь рабочее давление не менее номинального давления доохладителя.

4.2 Перед началом работы и ежедневно

1. Откройте кран шаровый слива конденсата (8) и слейте конденсат полностью;
2. Закройте кран шаровый;
3. Слейте конденсат из фильтра блока подготовки воздуха (только для моделей АСР);
4. Проверьте уровень масла в масленке блока подготовки воздуха (только для моделей АСР);
5. Закройте все краны шаровые на раздаточном коллекторе (5);
6. Убедитесь в целостности сетевого кабеля доохладителя (только для моделей АСЕ);
7. Убедитесь в том, что к входному отверстию сжатого воздуха и раздаточному коллектору доохладителя подключены рукава сжатого воздуха.

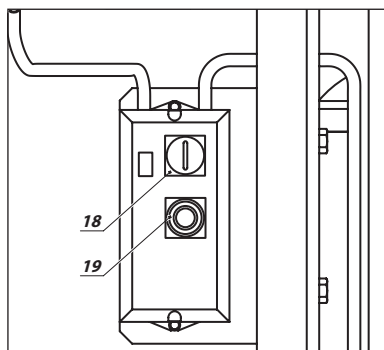
4.3 Включение доохладителя



ВНИМАНИЕ!

Не допускайте к управлению компрессором неквалифицированный персонал.

Для АСЕ:



1. Откройте вентиль подачи сжатого воздуха на магистрали, подсоединенной к АСЕ.
2. Нажмите на зеленую кнопку (18) на пускателе электромагнитном.

Рис. 4.1

Для АСР:

1. Откройте вентиль подачи сжатого воздуха на магистрали, подсоединенной к АСР.

Доохладитель включен

4.4 Выключение доохладителя



ВНИМАНИЕ!

Не выключайте доохладитель, если система сжатого воздуха находится под давлением.

1. Перекройте подачу сжатого воздуха со стороны компрессора.
2. Нажмите на красную кнопку (19) на пускателе электромагнитном (только для моделей АСЕ);
3. Откройте кран сливной конденсата и слейте конденсат полностью;
4. Закройте кран сливной конденсата;
5. Закройте все краны шаровые на раздаточном коллекторе;

После нажатия на кнопку зеленый индикатор состояния на пускателе электромагнитном должен полностью погаснуть.

Дохладитель выключен.

4.5 По окончании работы

Произведите выключение доохладителя и отключите вилку сетевого кабеля доохладителя АСЕ от розетки 380 В.

5. Техническое обслуживание

Перед проведением технического обслуживания обязательно отсоединяйте рукава сжатого воздуха от входного отверстия и от раздаточного коллектора, отсоединяйте сетевой кабель 380 В от сети.

Еженедельно:

Проверять слив конденсата на циклонном сепараторе, визуально проверять чистоту фильтра блока подготовки воздуха, проверять уровень масла в масленке, при необходимости доливать масло ISO VG32 или ГОСТ 20799-95 (И-20А);

Ежемесячно:

В зависимости от качества воздуха в помещении, но обязательно перед началом летнего сезона, очищать радиатор сжатым воздухом и при необходимости промывать его ребра для удаления осадков грязи.

6. Устранение неисправностей

АСР

| Проблема | Возможные неисправности | Корректирующие действия |
|------------------------------------------|-------------------------|----------------------------------------------------------------------------------------------------------------------------------------------------------------------------------------------------------------------------------------------------------------------------------------|
| Лопасты вентилятора не вращаются | Слабый воздушный поток | Проверить давление по манометру блока подготовки воздуха |
| | Закупорка | Удалить посторонние предметы из вентилятора |
| | Повреждение деталей | Осмотреть лопасти вентилятора на наличие повреждений. Заменить неисправные компоненты |
| | Отсутствие смазки | Проверить свободное вращение лопастей вентилятора. Если воздушный мотор не вращает вентилятор, произвести ремонт или замену воздушного мотора. |
| Лопасты вентилятора вращаются медленно | Слабый воздушный поток | Проверить давление по манометру блока подготовки воздуха |
| | Закупорка | Удалить посторонние предметы из вентилятора |
| | Повреждение деталей | Осмотреть лопасти вентилятора на наличие повреждений. Заменить неисправные компоненты |
| | Отсутствие смазки | Проверить свободное вращение лопастей вентилятора. Если воздушный мотор вращает лопасти, но слабо, добавить немного смазки прямо в мотор, и провернуть лопасти вентилятора на 3-4 оборота. Если воздушный мотор не вращает вентилятор, произвести ремонт или замену воздушного мотора. |
| Циклонный сепаратор не отводит конденсат | Повреждение деталей | Осмотреть кран сливной конденсата на наличие повреждений. Заменить неисправные компоненты |
| | Закупорка | Удалить посторонние предметы из крана слива |

| Проблема | Возможные неисправности | Корректирующие действия |
|--------------------------------------------------------|-------------------------------------------------------|------------------------------------------------------------------------------------------------------------------------------------------------|
| Лопasti вентилятора не вращаются | Перегорел предохранитель или короткое замыкание | Проверить предохранитель |
| | Блок питания неисправен | Проверить блок питания и кабельные соединения, замените при необходимости |
| | Повреждение деталей | Осмотреть лопасти вентилятора на наличие повреждений. Заменить неисправные компоненты |
| | Электродвигатель неисправен | Проверить свободное вращение лопастей вентилятора. Если электродвигатель не вращает вентилятор, произвести ремонт или замену электродвигателя. |
| Лопasti вентилятора вращаются медленно | Перегорел предохранитель или короткое замыкание | Проверить предохранитель |
| | Блок питания неисправен | Проверить блок питания и кабельные соединения, замените при необходимости |
| | Повреждение деталей | Осмотреть лопасти вентилятора на наличие повреждений. Заменить неисправные компоненты |
| | Электродвигатель неисправен | Проверить свободное вращение лопастей вентилятора. Если электродвигатель не вращает вентилятор, произвести ремонт или замену электродвигателя. |
| Циклонный сепаратор не отводит конденсат | Повреждение деталей | Осмотреть кран сливной конденсата на наличие повреждений. Заменить неисправные компоненты |
| | Закупорка | Удалить посторонние предметы из крана слива |
| Охладитель не включается после нажатия на кнопку Start | Нет одной или нескольких фаз в сети электропитания | Проверить сеть электропитания, устранить неисправность |
| | Нарушена последовательность фаз в сети электропитания | Поменять последовательность фаз в сети электропитания |

7. Хранение

Хранение доохладителя допускается при температуре от +5° до +40°С при относительной влажности воздуха не более 85%.

