

CONTRACOR®

corrosion control

EN

Condensate removal system MEX

OPERATING AND MAINTENANCE MANUAL

Version 1.0

DE

Kondensatentfernungssystem MEX

BETRIEBSANLEITUNG

Version 1.0

Seite 30

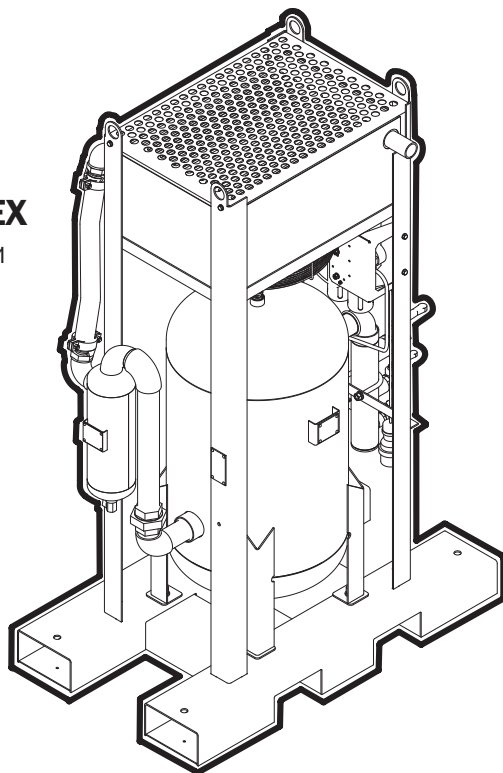
RU

Система удаления конденсата MEX

РУКОВОДСТВО ПО ЭКСПЛУАТАЦИИ

Версия 1.0

стр. 57



Contents

1.	Safety precautions	4
1.1	Introduction	4
1.2	Personal protective equipment	4
1.3	General safety measures	4
1.4	Safety measures during operation	5
1.5	Safety measures for maintenance and repair	6
2.	Device and mechanism	7
2.1	Function	7
2.2	Technical information	7
2.3	Appearance of system	8
2.4	Delivery set	9
2.5	Main components	9
2.6	Description of mechanism	11
2.7	Pneumatic diagram	12
2.8	Electric schematic diagram	13
2.9	Air consumption diagram of pneumatic motor	14
3.	Acceptance of system	14
4.	Usage	15
4.1	Preparation of compressed-air line	15
4.2	Before use and on a daily basis	15
4.3	System start-up	16
4.4	System shutdown	16
4.5	After usage	17
5.	Maintenance	17
6.	Fault handling	18
7.	Storage	19
8.	Specification MEX-1	20
9.	Specification MEX-2	23
10.	Specification MEX-3	26

1. Safety precautions

Prior to using any Condensate removal system, hereinafter referred to as the equipment, the operator must read and understand the contents of this document.

Only trained personnel are permitted to work with the equipment.

1.1 Introduction

This manual must be kept in the vicinity of the equipment in an area accessible to personnel. Only maintenance personnel with the relevant level of professional training are permitted to operate, service and repair the Contracor equipment.

1.2 Personal protective equipment

Everyone in the area of the operated equipment is advised to make use of personal protective equipment:

- work clothing that protects hands and feet.
- Shockproof goggles with side protection
- Ensure that protective clothing is fastened and hair tucked into a head covering.

An operator is not allowed to operate equipment if the operator is fatigued, in a state of intoxication from alcohol, drugs or medicine that reduces the body's reaction time.

1.3 General safety measures

- Damaged equipment components must be replaced as soon as they break down.
- Worn equipment components must be replaced in a timely manner.
- In the event of the overheating of internal equipment components or suspicion of overheating, equipment must be switched off immediately.
- The work zone of the equipment should be kept clean.

1.4 Safety measures during operation

If the equipment is delivered during the winter months, then the equipment should be kept in a warm facility for no fewer than 12 hours before the packaging is removed after unloading. This will prevent condensate from reaching the equipment's internal components.

In order to prevent moisture getting into the pneumatic system, the feed of compressed air from the compressor should not be commenced sooner than 10 minutes after the equipment is switched on.

The equipment is not allowed to be used in explosion-hazardous environments or near flammable materials and toxic vapours.

Before connecting or disconnecting the compressed air hose, make sure that there is not pressure in the hose before disconnecting it from the equipment.

It is necessary to check that all compressed air connections are securely fastened and there are no damages before start-up. Additional accessories such as lubricator, moisture separator etc. are not allowed to be installed on the compressed air inlet and outlet ports of the equipment.

The air hose is not allowed to be disconnected during operation if compressed air is being fed through it.

The air hose with compressed air must not be pointed at people. The equipment should be switched on/off via the control panel.

Worn, damaged or spoiled compressed-air hoses should not be used.

Compressed air hoses that do not suit the equipment in terms of diameter and working pressure must not be used.

Power connectors must not be touched during operation of the equipment.

The electrical components of the equipment should only be accessed by a qualified electrician using mandatory protection against electric shock.

Regularly inspect the equipment's electric cable. Switch off the equipment if the electric cable is found to be damaged. The equipment should only be operated in future after replacing cables and/or remedying electrical faults.

Turn off equipment if undue vibration, noise, smell and other anomalous instances arise.

Only use the equipment with a standard power voltage. Over- or undervoltage can reduce

the service life of the product. A voltage regulator should be used for the equipment if it is operated with undervoltage or overvoltage.

1.5 Safety measures for maintenance and repair

Using the equipment for non-designated purpose, making structural changes or not following the operating instructions may lead to severe injury or death.

- Structural changes to the equipment are prohibited - the guarantee does not apply to modified equipment;
- Only the original spare parts and ancillary items may be used;
- All maintenance work must be performed while the equipment is turned off, disconnected from the power source, with compressed-air hoses disconnected from the equipment, and with the use of protective glasses.
- Never leave tools, components, rags, cloths, clothing etc. within the equipment after completing maintenance work.
- Flammable solvents must not be used for cleaning the equipment;
- Welding or metalwork must not be carried out in the vicinity of the equipment.

Upon completing maintenance work or repairs, ensure that the working pressure and temperature correspond to the nominal values.



ATTENTION!

The MEX-E equipment should be switched on/off using the electric switch.

Moving the equipment while it is being operated is prohibited.

2. Device and mechanism

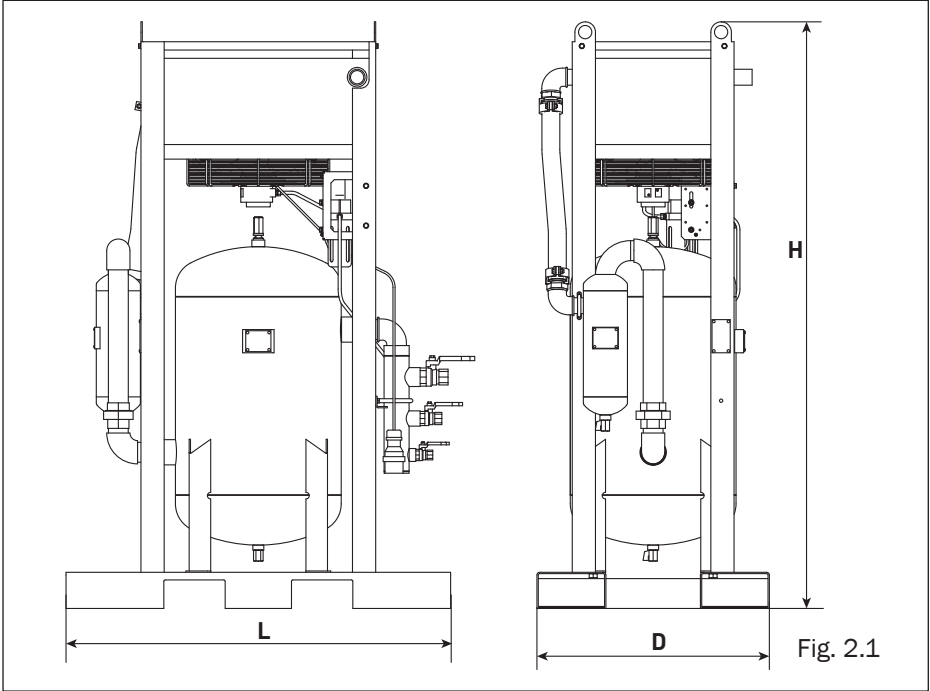
2.1 Function

The Contracor MEX condensate removal system is designed to cool, clean and dry compressed air during abrasive blast cleaning. The system removes condensate and dirt, which reduce the service life of equipment and lower the operating efficiency for abrasive blast cleaning.

2.2 Technical information

Product code	14380011	14380012	14380013	14380001	14380002	14380003
Model	MEX-E-1	MEX-E-2	MEX-E-3	MEX-P-1	MEX-P-2	MEX-P-3
Maximum working pressure, bar	12					
Performance, m ³ /min	20	30	45	20	30	45
Coalescer capacity, l	150	250	500	150	250	500
Voltage, V	380~ /50 Hz			—		
Maximum current, A	0,44	1,59	1,68	—		
Power, kW	0,135	0,82	0,83	—		
Pressure of air motor min/ max, bar	—			2/6		
Consumption of compressed air with min/ max pressure of air motor, m ³ /min	—			0,6/1,4		
Thread connection, inlet	1 1/2"	2"	3"	1 1/2"	2"	3"
Thread connection, outlet	1 x 3/4" 1 x 1" 1 x 1 1/4"	1 x 3/4" 1 x 1 1/4" 1 x 1 1/2"	1 x 3/4" 1 x 1 1/4" 2 x 1 1/2"	1 x 3/4" 1 x 1" 1 x 1 1/4"	1 x 3/4" 1 x 1 1/4" 1 x 1 1/2"	1 x 3/4" 1 x 1 1/4" 2 x 1 1/2"

2.3 Appearance of system



Dimensions, mass of dehumidifiers

Model	System				System (packaged)			
	Height H, mm	Width D, mm	Length L, mm	Mass, kg	Height, mm	Width, mm	Length, mm	Mass, kg
MEX-E-1	1709	701	1160	220	1945	810	1260	256
MEX-P-1				215				255
MEX-E-2	1872	816	1300	251	2075	880	1400	291
MEX-P-2				245				285
MEX-E-3	2069	1122	1600	450	2245	1200	1700	497
MEX-P-3				445				485

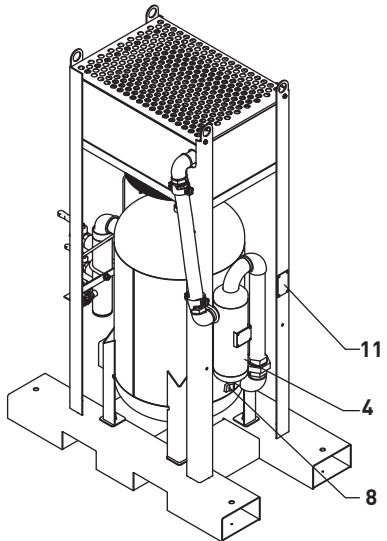
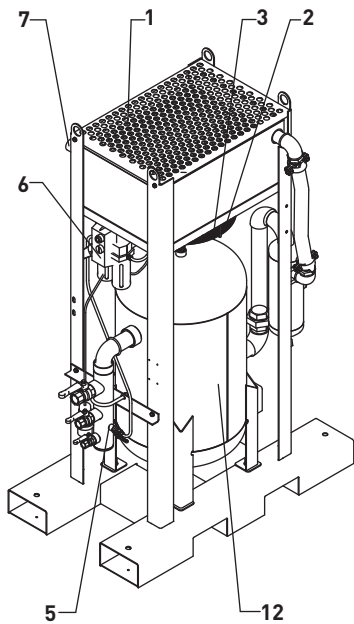
2.4 Delivery set

1. Condensate removal system – 1 pc.
2. Packaging – 1 pc.
3. Folder with documentation – 1 pc.

2.5 Main components

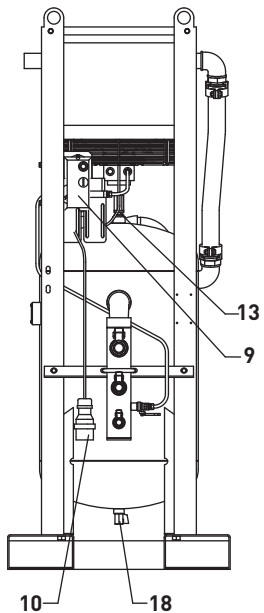
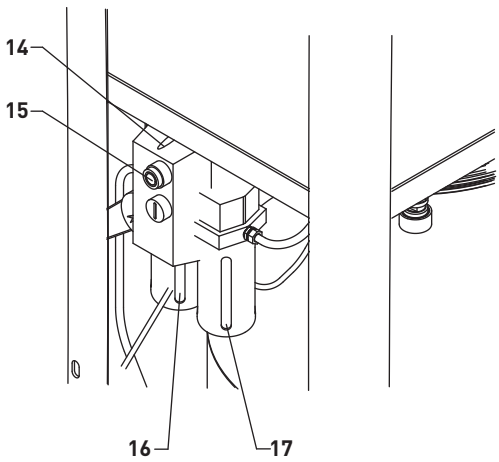
- 1 – Radiator
- 2 – Fan
- 3 – Motor
- 4 – Cyclone separator
- 5 – Distributing header
- 6 – Air-preparation unit (only for MEX-P models)
- 7 – Compressed air inlet port
- 8 – Condensate drain ball valve from separator
- 9 – Electric switch (only for MEX-E models)
- 10 – Power cable (only for MEX-E models)
- 11 – Nameplate
- 12 – Coalescer
- 13 – Safety-relief valve
- 14 – Pressure regulator
- 15 – Manometer
- 16 – Filter
- 17 – Lubricator
- 18 – Condensate drain ball valve from coalescer

Fig. 2.2



Only MEX-P

Only MEX-E



2.6 Description of mechanism

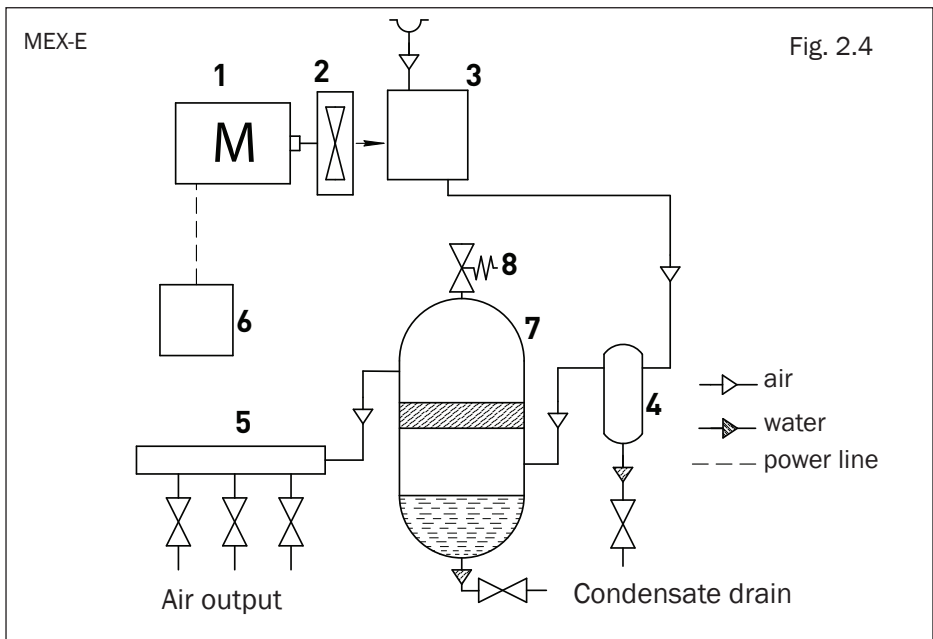
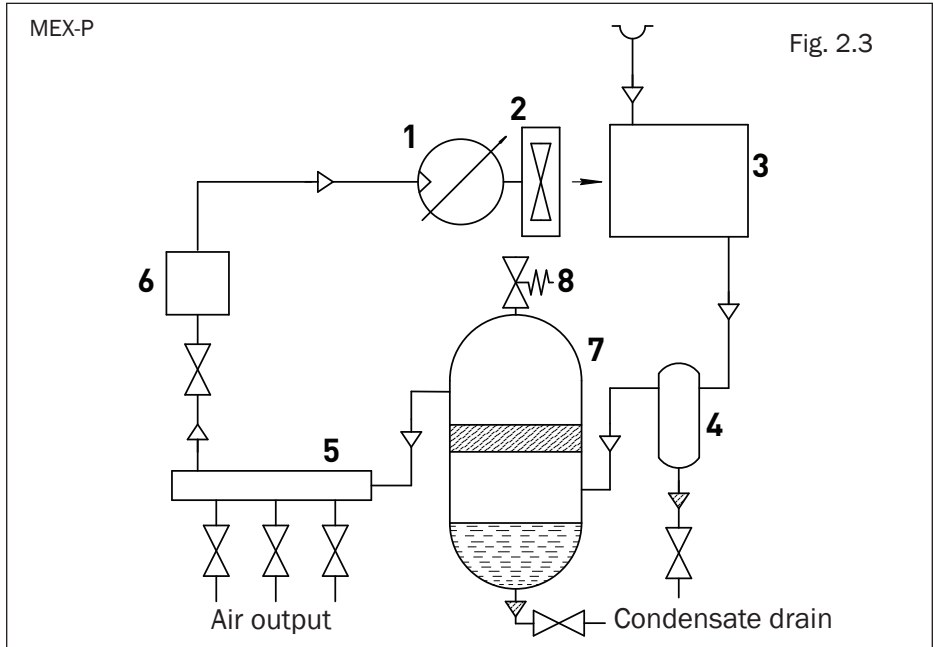
For MEX-E model:

Compressed air from the compressor enters the radiator (3) via the air line, where it is cooled by the fan (2) powered by electric drive (9), which is switched on via the electric switch (10). The cooled air from the radiator is fed into the cyclone separator (4), where the air is dried by removal of moisture. The compressed air from the cyclone separator enters the coalescer (7), where moisture is definitively removed from the air. From the coalescer, the compressed air enters the distributing header (5), from where it can be supplied to 3 consumers simultaneously.

For MEX-P model:

Compressed air from the compressor enters the radiator (3) via the air line, where it is cooled by the fan (2) powered by pneumatic drive (1). The fan speed is set using a pressure regulator on the air-preparation unit. The cooled air from the radiator is fed into the cyclone separator (4), where the air is dried by removal of moisture. The compressed air from the cyclone separator enters the coalescer (7), where moisture is definitively removed from the air. From the coalescer, the compressed air enters the distributing header (5), from where it can be supplied to 3 consumers simultaneously, as well as to the pneumatic motor (1) via the air-preparation unit (6). In the air-preparation unit, oil is added to reduce wear of the pneumatic motor's moving components and additional condensate is removed.

2.7 Pneumatic diagram



Pos.	Description
1	Air motor
2	Fan
3	Radiator
4	Cyclone separator
5	Distributing header
6	Air-preparation unit
7	Coalescer
8	Safety-relief valve
9	Electric motor
10	Electric switch

2.8 Electric schematic diagram

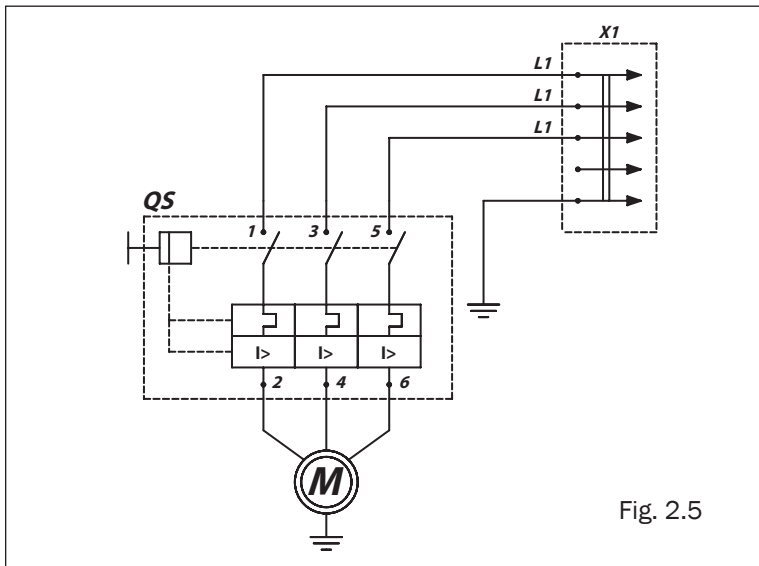


Fig. 2.5

Position	Description
X1	Power cable with 3xPhase plug
QS	Motor starter
M	Electric motor

2.9 Air consumption diagram of pneumatic motor

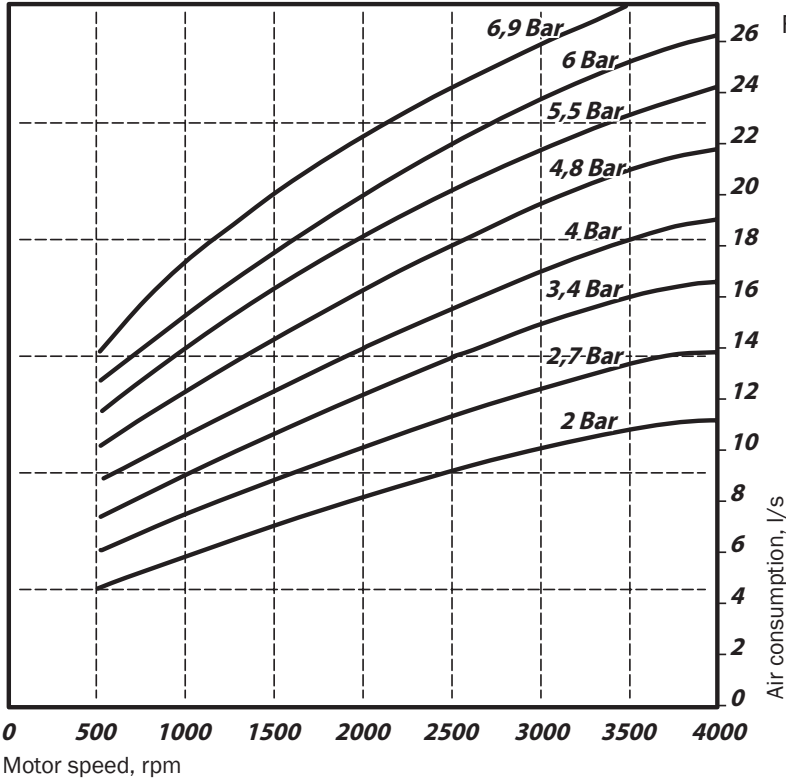


Fig. 2.6

3. Acceptance of system



ATTENTION!

If the system is delivered during the winter months, then the system should be kept in a warm facility for no fewer than 12 hours before the packaging is removed after unloading. This will help avoid condensate coming into contact with the system's internal components.

Upon delivery and unloading of the system, inspect the packaging for damage. Remove the packaging and inspect the system for damage. Pay close attention to the electric switch.



Warning!

If the aforementioned deficiencies or defects are discovered, contact the supplier of your system for clarification on further action.

4. Usage

4.1 Preparation of compressed-air line

Connect the system to the compressed-air line. Provide the throughput capacity of the compressed-air line in accordance with the performance of the compressor.



Warning!

All components of the compressed-air line must have a working pressure no less than the nominal pressure of the condensate removal system.

4.2 Before use and on a daily basis

1. Open the condensate drain ball valves (8) and (18) and drain the condensate fully;
2. Close the ball valve;
3. Drain the condensate from the filter of the air-preparation unit (only for MEX-P models);
4. Check the oil level in the lubricator of the air-preparation unit (only for MEX-P models);
5. Close all ball valves on the distributing header (5);
6. Ensure the system's power cable is intact (only for MEX-E models);
7. Ensure that the compressed air hoses are connected to the compressed-air inlet and outlet.

4.3 System start-up



ATTENTION!

Do not allow unqualified personnel to operate the system.

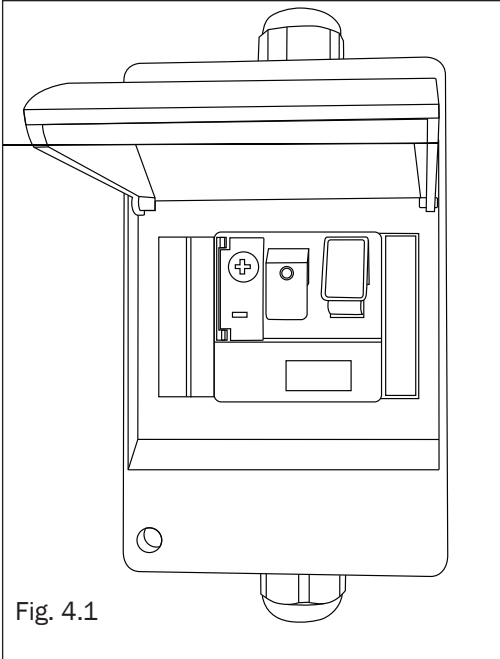


Fig. 4.1

For MEX-E:

1. Open the compressed air supply valve on the air line connected to MEX-E.

2. Press the ON button on the electric switch.

For MEX-P:

1. Open the compressed air supply valve on the air line connected to MEX-P.

System switched on

4.4 System shutdown



ATTENTION!

Do not shut down the system if the compressed air system is under pressure.

1. Cut off the supply of compressed air via the compressor.
2. Press the OFF button on the electric switch (only for MEX-E models);
3. Open the condensate drain valve on the cyclone separator and the coalescer, and drain the condensate fully;

4. Close the condensate drain valve on the cyclone separator and the coalescer;
5. Close all ball valves on the distributing header;

System switched off

4.5 After usage

Turn off the system and disconnect the power cable plug of the MEX-E system from the 380 V plug socket.

5. Maintenance

Before servicing, the compressed air hoses must be disconnected from the inlet and distributing header and the 380 V power cable must be disconnected from the mains.

On a daily basis: Open the condensate drain valves on the cyclone separator and the coalescer;

On a weekly basis: check the condensate discharge on the cyclone separator, visually check how clean the filter of the air-production unit is, check the oil level in the lubricator and add oil if necessary.

On a monthly basis: Depending on the air quality indoors, but before the beginning of the summer season, the radiator should be cleaned with compressed air and the fins flushed if necessary to remove dirty sediment.

6. Fault handling

MEX-P

Problem	Possible faults	Corrective action
The blades of the wind turbine do not rotate	Weak air flow	Check pressure on manometer of pressure regulator.
	Clogging.	Remove foreign objects from fan.
	Damaged components.	Inspect fan blades for damage. Replace faulty components.
	Lack of lubricant	Check free rotation of fan blades. If air motor does not rotate the fan, the air motor will have to be serviced or replaced.
Fan blades rotate slowly.	Weak air flow	Check pressure on manometer of air-pressure unit.
	Clogging.	Remove foreign objects from fan.
	Damaged components.	Inspect fan blades for damage. Replace faulty components.
	Lack of lubricant	Check free rotation of fan blades. If air motor rotates the blades, but slowly, a small amount of lubricant should be added directly into the motor and the fan blades turned 3-4 revolutions. If air motor does not rotate the fan, the air motor will have to be serviced or replaced.
Cyclone separator doesn't drain condensate.	Damaged components.	Inspect the condensate drain valve for damage. Replace faulty components
	Clogging.	Remove foreign objects from drain valve

MEX-E

Problem	Possible faults	Corrective action
The blades of the wind turbine do not rotate	Safety fuse has blown or short circuit.	Check the fuse.
	Power unit is defective.	Check the power unit or cable connections, replacing them if necessary.
	Damaged components.	Inspect fan blades for damage. Replace faulty components.
	Electric motor is defective.	Check free rotation of fan blades. If electric motor does not rotate the fan, the electric motor will have to be serviced or replaced.

Fan blades rotate slowly.	Safety fuse has blown or short circuit.	Check the fuse.
	Power unit is defective.	Check the power unit or cable connections, replacing them if necessary.
	Damaged components.	Inspect fan blades for damage. Replace faulty components.
	Electric motor is defective.	Check free rotation of fan blades. If electric motor does not rotate the fan, the electric motor will have to be serviced or replaced.
Cyclone separator doesn't drain condensate.	Damaged components.	Inspect the condensate drain valve for damage. Replace faulty components.
	Clogging.	Remove foreign objects from drain valve.
Cooler does not turn on after pressing the Start button.	One or several phases are absent in the electric power supply.	Check the mains power supply and rectify the fault.
	The phase sequence in the electric power supply has been upset.	Change the phase sequence in the electric power supply.

7. Storage

The system should be stored at a temperature between +5° and +40°C with max. 85% relative humidity.

8. Specification MEX-1

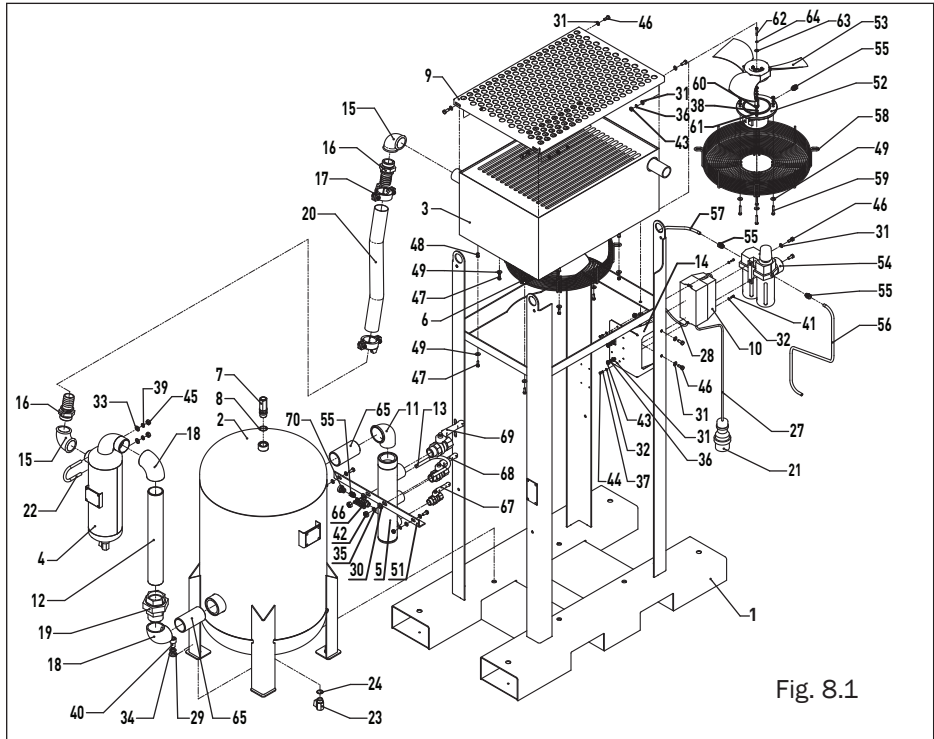


Fig. 8.1

Pos.	Article	Description	Qty. MEX-E-1	Qty. MEX-P-1
1	83400022	Housing	1	1
2	89800004	Tank	1	1
3	21010021	Heat Exchanger	1	1
4	86300004	Cyclone separator	1	1
5	83300004	Distributor	1	1
6	28200001	Electric fan	1	-
7	21730002	Safety valve	1	1
8	67000008	Washer	1	1
9	86400001	Top grid	1	1
10	32130001	Electric switch	1	-
11	52080013	Elbow	1	1
12	82000089	Pipe	1	1
13	90100026	Clamp	1	1

14	82400017	Mounting plate	1	1
15	52080006	Elbow	2	2
16	51400021	Fitting	2	2
17	90100024	Clamp	2	2
18	52080007	Elbow	2	2
19	52100005	Union	1	1
20	42000001	Hose	0,53 m	0,53 m
21	33270002	Plug	1	1
22	90100032	Clamp	1	1
23	52140004	Ball valve	1	1
24	67000004	Washer	1	1
27	34020006	Cable	1 m	1 m
28	34020006	Cable	0,50 m	0,50 m
29	64110016	Washer	4	4
30	64110012	Washer	2	2
31	64110008	Washer	16	20
32	64110004	Washer	4	-
33	64110010	Washer	2	2
34	64310016	Washer	4	4
35	64310012	Washer	2	2
36	64310008	Washer	8	10
37	64310004	Washer	2	-
38	64310006	Washer	8	12
39	64310010	Washer	2	2
40	62111625	Screw	4	4
41	62110412	Screw	2	-
42	63110012	Nut	2	2
43	63110008	Nut	8	10
44	63110004	Nut	2	-
45	63110010	Nut	2	2
46	61110820	Screw	8	10
47	61110620	Screw	8	8
48	66010005	Rivet nut	8	8
49	64210006	Washer	8	12
51	81200024	Support	1	1
52	28100001	Air motor	-	1
53	21300017	Fan	-	1

54	51203008	Air preparation unit	-	1
55	51100024	Fitting	-	4
56	41102001	Hose	-	0,75 m
57	41102001	Hose	-	0,25 m
58	21090006	Fan grid	-	1
59	61110635	Screw	-	4
60	63110006	Nut	-	4
61	64110006	Washer	-	4
62	62110530	Screw	-	1
63	64210005	Washer	-	1
64	64310005	Washer	-	1
65	82000088	Pipe	2	2
66	52140013	Ball valve	-	1
67	52140006	Ball valve	1	1
68	52140017	Ball valve	1	1
69	52140018	Ball valve	1	1
70	51205005	Plug	1	-

9. Specification MEX-2

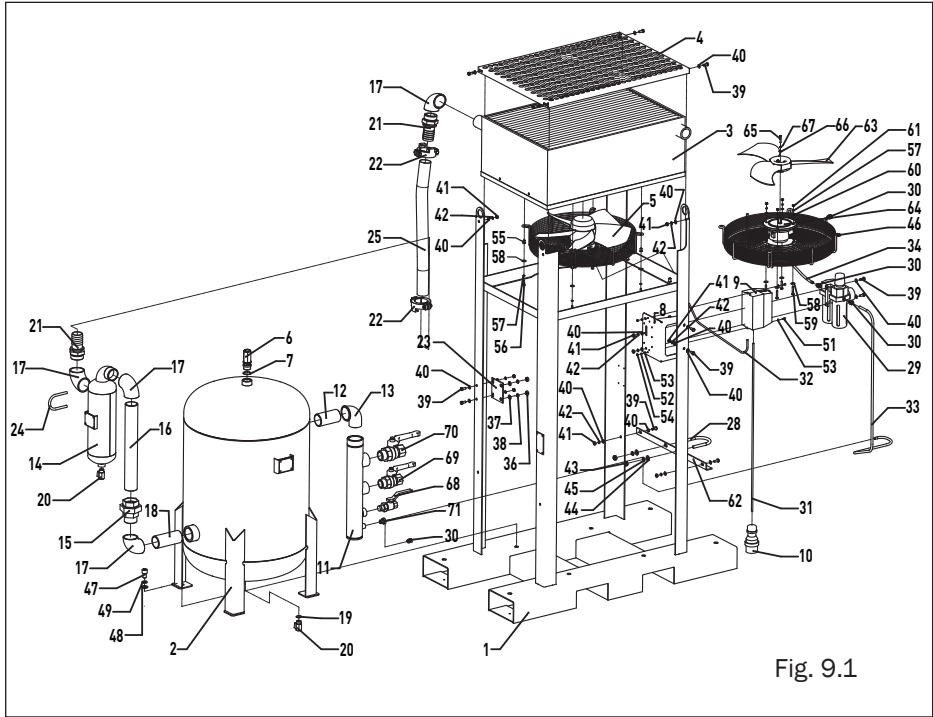


Fig. 9.1

Pos.	Article	Description	Qty. MEX-E-2	Qty. MEX-P-2
1	83400023	Housing	1	1
2	89800005	Tank	1	1
3	21010022	Heat Exchanger	1	1
4	86400002	Top grid	1	1
5	28200002	Electric fan	1	-
6	21730001	Safety valve	1	1
7	67000003	Washer	1	1
8	82400017	Mounting plate	1	1
9	32130001	Electric switch	1	-
10	33270002	Plug	1	-
11	83300005	Distributor	1	1
12	82000088	Pipe	1	1
13	52080013	Elbow	1	1
14	86300005	Cyclone separator	1	1

15	52100005	Union	1	1
16	82000089	Pipe	1	1
17	52080007	Elbow	4	4
18	82000090	Pipe	1	1
19	67000004	Washer	1	1
20	52140004	Ball valve	2	2
21	51400018	Fitting	2	2
22	90100021	Clamp	2	2
23	81400012	Plate	1	1
24	90100028	Clamp	1	1
25	42000012	Hose	0,6 m	0,6 m
28	90100026	Clamp	1	1
29	51203008	Air preparation unit	1	1
30	51100024	Fitting	-	4
31	34020006	Cable	1 m	-
32	34020006	Cable	1 m	-
33	41102001	Hose	-	1,3 m
34	41102001	Hose	0,7 m	0,7 m
36	63110010	Nut	2	2
37	64110010	Washer	3	2
38	64310010	Washer	2	2
39	61110820	Screw	14	16
40	64110008	Washer	23	28
41	63110008	Nut	10	12
42	64310008	Washer	14	16
43	63110012	Nut	2	2
44	64110012	Washer	2	2
45	64310012	Washer	2	2
46	21090005	Fan grid	-	1
47	62111625	Screw	4	4
48	64110016	Washer	4	4
49	64310016	Washer	4	4
50	66010004	Rivet nut	4	4
51	62110412	Screw	2	-
52	64310004	Washer	2	-
53	64110004	Washer	4	-
54	63110004	Nut	2	-

55	66010005	Rivet nut	4	4
56	61110620	Screw	4	4
57	64310006	Washer	4	8
58	64210006	Washer	4	8
59	61110635	Screw	-	4
60	64110006	Washer	-	4
61	63110006	Nut	-	4
62	81200024	Support	1	1
63	21300018	Fan	-	1
64	28100001	Air motor	-	1
65	62110530	Screw	-	1
66	64210005	Washer	-	1
67	64310005	Washer	-	1
68	52140006	Ball valve	1	1
69	52140018	Ball valve	1	1
70	52140015	Ball valve	1	1
71	51205005	Plug	1	-

10. Specification MEX-3

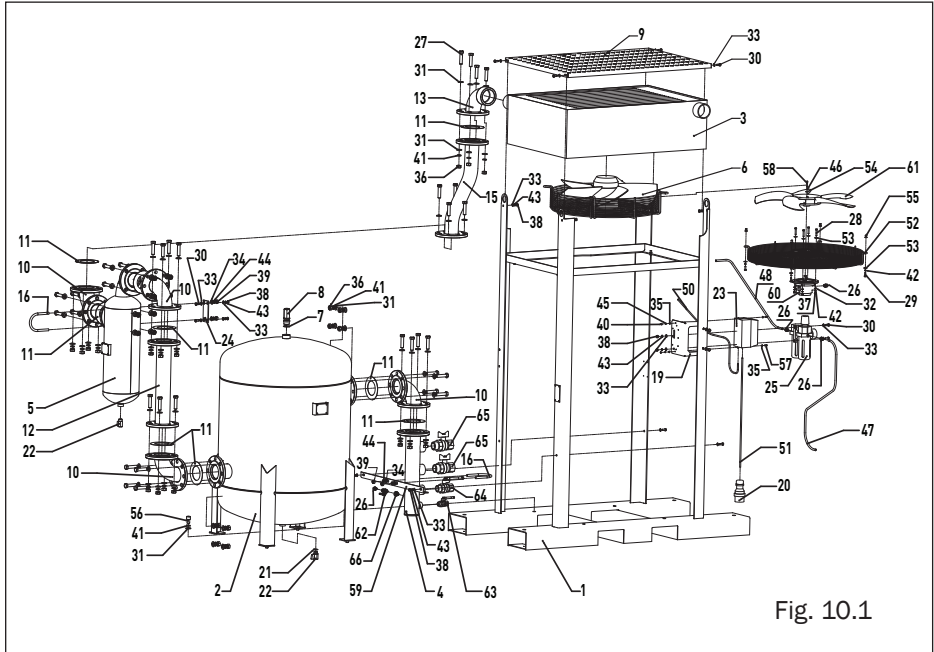


Fig. 10.1

Pos.	Article	Description	Qty. MEX-E-3	Qty. MEX-P-3
1	83400024	Housing	1	1
2	89800006	Tank	1	1
3	21010023	Heat exchanger	1	1
4	83300006	Distributor	1	1
5	86300006	Cyclone separator	1	1
6	28200003	Electric fan	1	-
7	67000003	Washer	1	1
8	21730001	Safety valve	1	1
9	86400003	Grid, top	1	1
10	89900001	Manifold, flanged	4	4
11	90403005	Washer	9	9
12	82000091	Input pipe	1	1
13	89900002	Manifold, threaded	1	1
15	24200014	Flex hose	1	1
16	90100025	Clamp	2	2

19	82400017	Mounting plate	1	1
20	33270002	Plug	1	-
21	67000004	Washer	1	1
22	52140004	Ball valve	2	2
23	32130002	Electric switch	1	-
24	81400013	Plate	1	1
25	51203008	Air preparation unit	1	-
26	51100024	Fitting	-	4
27	61111670	Screw	36	36
28	61110635	Screw	-	4
29	61110620	Screw	4	4
30	61110820	Screw	10	12
31	64110016	Washer	76	76
32	64110006	Washer	8	12
33	64110008	Washer	20	24
34	64110012	Washer	4	4
35	64110004	Washer	4	-
36	63110016	Nut	36	36
37	63110006	Nut	-	4
38	63110008	Nut	10	12
39	63110012	Nut	4	4
40	63110004	Nut	2	-
41	64310016	Washer	40	40
42	64310006	Washer	8	12
43	64310008	Washer	10	12
44	64310012	Washer	4	4
45	64310004	Washer	2	-
46	64310005	Washer	-	1
47	41102001	Hose	-	1 m
48	41102001	Hose	-	1 m
50	34020006	Cable	-	1 m
51	34020006	Cable	-	1 m
52	21090007	Fan grid	-	1
53	63110006	Washer	-	4
54	64210005	Washer	-	1
55	66010005	Rivet nut	8	8
56	62111625	Screw	4	4

57	62110412	Screw	2	-
58	62110530	Screw	-	1
59	81200026	Support	1	1
60	28100001	Air motor	-	1
61	21300019	Fan	-	1
62	52140013	Ball valve	-	1
63	52140006	Ball valve	1	1
64	52140018	Ball valve	1	1
65	52140015	Ball valve	2	2
66	51205005	Plug	1	-

Inhalt

1.	Sicherheitshinweise	31
1.1	Einführung	31
1.2	Persönliche Schutzausrüstung	31
1.3	Allgemeine Sicherheitsmaßnahmen	31
1.4	Sicherheitsmaßnahmen bei Betrieb	32
1.5	Sicherheitsmaßnahmen für die Wartung und Reparatur	33
2.	Gerät und Mechanismus	34
2.1	Funktion	34
2.2	Technische Daten	34
2.3	Außenansicht des Systems	35
2.4	Lieferumfang	36
2.5	Hauptkomponenten	36
2.6	Beschreibung des Mechanismus	38
2.7	Pneumatischer Schaltplan	39
2.8	Elektrischer Schaltplan	40
2.9	Luftverbrauchsdiagramm des Druckluftantriebs	41
3.	Annahme der Anlage	41
4.	Gebrauch	42
4.1	Vorbereitung der Druckluftleitung	42
4.2	Vor Gebrauch und täglich	42
4.3	System einschalten	43
4.4	System herunterfahren	43
4.5	Nach Gebrauch	44
5.	Wartung	44
6.	Fehlerbehebung	45
7.	Lagerung	46
8.	Spezifikation MEX-1	47
9.	Spezifikation MEX-2	50
10.	Spezifikation MEX-3	53

1. Sicherheitshinweise

Vor der Verwendung eines Kondensatentfernungssystems, nachfolgend als Gerät bezeichnet, muss der Betreiber den Inhalt dieses Dokuments vollständig gelesen und verstanden haben.

Nur geschultes Personal darf das Gerät bedienen.

1.1 Einführung

Diese Anleitung ist in der Nähe des Geräts an einer für das Personal leicht zugänglichen Stelle aufzubewahren. Nur Wartungspersonal mit entsprechender Berufsausbildung ist es gestattet, das Compraq Gerät zu bedienen, zu warten und zu reparieren.

1.2 Persönliche Schutzausrüstung

Alle Personen, die sich im Bereich, in dem das Gerät betrieben wird, aufhalten, müssen folgende persönliche Schutzausrüstung tragen:

- Arbeitskleidung, die Hände und Füße schützt
- Stoßfeste Schutzbrille mit Seitenschutz
- Stellen Sie sicher, dass die Schutzkleidung fest sitzt und nicht lose ist und dass sich die Haare sicher unter einer Kopfbedeckung befinden.

Das Gerät darf keinesfalls bei Müdigkeit sowie nach dem Konsum von Alkohol, Drogen oder Medikamenten, die die Reaktionszeit reduzieren, verwendet werden.

1.3 Allgemeine Sicherheitsmaßnahmen

- Beschädigte Teile des Geräts sind baldmöglichst auszutauschen.
- Abgenutzte Teile des Geräts sind auf angemessene Weise zu ersetzen.
- Im Falle bzw. bei Verdacht der Überhitzung interner Komponenten des Geräts ist das Gerät umgehend auszuschalten.
- Der Arbeitsbereich des Geräts sollte sauber gehalten werden.

1.4 Sicherheitsmaßnahmen bei Betrieb

Wird das Gerät während der Wintermonate geliefert, ist das Gerät, nachdem es entladen wurde, vor dem Auspacken mindestens 12 Stunden in einem warmen Raum aufzubewahren. So wird verhindert, das Kondenswasser an die internen Komponenten gelangt.

Um das Eindringen von Feuchtigkeit in das pneumatische System zu verhindern, sollte die Druckluftzufuhr aus dem Kompressor frühestens 10 Minuten nachdem das Gerät eingeschaltet wurde, aktiviert werden.

Das Gerät darf nicht in explosionsgefährdeten Umgebungen oder in der Nähe von brennbaren Materialien und giftigen Dämpfen verwendet werden.

Stellen Sie vor dem Anschließen bzw. Trennen des Druckluftschlauchs an das bzw. von dem Gerät sicher, dass der Schlauch nicht unter Druck steht.

Vor der Inbetriebnahme sind alle Druckluftanschlüsse auf eine sichere Befestigung und mögliche Schäden hin zu überprüfen. Weiteres Zubehör wie Schmiervorrichtungen, Feuchtigkeitsabscheider etc. darf an die Druckluft-Einlass- und Auslassöffnungen des Geräts nicht angeschlossen werden.

Der Druckluftschlauch darf während des Betriebs, während er Druckluft führt, nicht vom Gerät getrennt werden.

Der Druckluftschlauch darf nicht auf Personen gerichtet werden. Das Gerät sollte über das Bedienfeld ein-/ausgeschaltet werden.

Abgenutzte, beschädigte oder defekte Druckluftschläuche dürfen nicht verwendet werden.

Druckluftschläuche, die in Bezug auf Durchmesser und Arbeitsdruck nicht zu dem Gerät passen, dürfen nicht verwendet werden.

Stromanschlüsse dürfen während des Betriebs des Gerätes nicht berührt werden.

Nur ein professioneller Elektriker mit obligatorischem Stromschlagschutz darf auf die elektrischen Komponenten des Geräts zugreifen.

Kontrollieren Sie das Elektrokabel des Geräts regelmäßig. Schalten Sie das Gerät aus, wenn das Stromkabel beschädigt ist. Das Gerät sollte erst nach Austausch der Kabel und/oder der Behebung elektrischer Störungen wieder in Betrieb genommen werden.

Schalten Sie das Gerät aus, falls Sie außergewöhnliche Vibrationen, Lärm, Geruch oder andere Auffälligkeiten bemerken.

Verwenden Sie das Gerät ausschließlich mit einer Standard-Netzspannung. Über- oder Unterspannung kann die Lebensdauer des Produkts reduzieren. Ein Spannungsregler sollte für das Gerät verwendet werden, wenn es mit Unterspannung oder Überspannung betrieben wird.

1.5 Sicherheitsmaßnahmen für die Wartung und Reparatur

Die Verwendung des Geräts für nicht vorgesehene Zwecke, Umbauten am Gerät selbst sowie die Nichtbeachtung der Betriebsanleitung kann zu schweren Verletzungen oder zum Tod führen.

- Umbauten am Gerät sind verboten – die Garantie entfällt für veränderte Geräte;
- Es sind ausschließlich original Ersatz- und Zusatzteile zugelassen;
- Wartungsarbeiten dürfen nur durchgeführt werden, wenn das Gerät ausgeschaltet ist, von der Stromquelle getrennt ist, die Druckluftschläuche vom Gerät getrennt sind und beteiligte Personen Schutzbrillen tragen.
- Lassen Sie niemals Werkzeuge, Teile, Lappen, Tücher, Kleidung usw. nach Abschluss der Wartungsarbeiten im Gerät zurück.
- Brennbare Lösungsmittel dürfen nicht für die Reinigung des Geräts verwendet werden.
- Schweißen oder sonstige Metallarbeiten dürfen in der Nähe des Geräts nicht durchgeführt werden.
- Stellen Sie nach Abschluss der Wartungs- oder Reparaturarbeiten sicher, dass Arbeitsdruck und Temperatur den Sollwerten entsprechen.



ACHTUNG!

Das MEX-E Gerät sollte über den Netzschalter ein-/ausgeschaltet werden.

Das Bewegen des Geräts während des Betriebs ist untersagt

2. Gerät und Mechanismus

2.1 Funktion

Das Contracor MEX Kondensatentfernungssystem wurde entwickelt, um für die Strahlreinigung verwendete Druckluft zu kühlen, zu reinigen und zu trocknen. Das System entfernt Kondensat und Verunreinigungen, die die Lebensdauer der Anlage verringern und sich negativ auf die Wirtschaftlichkeit der Strahlreinigung auswirken.

2.2 Technische Daten

Produkt-Code	14380011	14380012	14380013	14380001	14380002	14380003
Modell	MEX-E-1	MEX-E-2	MEX-E-3	MEX-P-1	MEX-P-2	MEX-P-3
Maximaler Betriebsdruck, bar	12					
Kapazität (m ³ /min)	20	30	45	20	30	45
Koaleszer volumen, l	150	250	500	150	250	500
Spannung, V	380~ /50 Hz			—		
Maximalstrom, A	0,44	1,59	1,68	—		
Leistung, kW	0,135	0,82	0,83	—		
Druck des Luftmotors min/max, bar	—			2/6		
Druckluftverbrauch bei min/max Druck des Luftmotors, m ³ /min	—			0,6/1,4		
Gewindeanschluss, Einlass	1 1/2"	2"	3"	1 1/2"	2"	3"
Gewindeanschluss, Auslass	1 x 3/4" 1 x 1" 1 x 1 1/4"	1 x 3/4" 1 x 1 1/4" 1 x 1 1/2"	1 x 3/4" 1 x 1 1/4" 2 x 1 1/2"	1 x 3/4" 1 x 1" 1 x 1 1/4"	1 x 3/4" 1 x 1 1/4" 1 x 1 1/2"	1 x 3/4" 1 x 1 1/4" 2 x 1 1/2"

2.3 Außenansicht des Systems

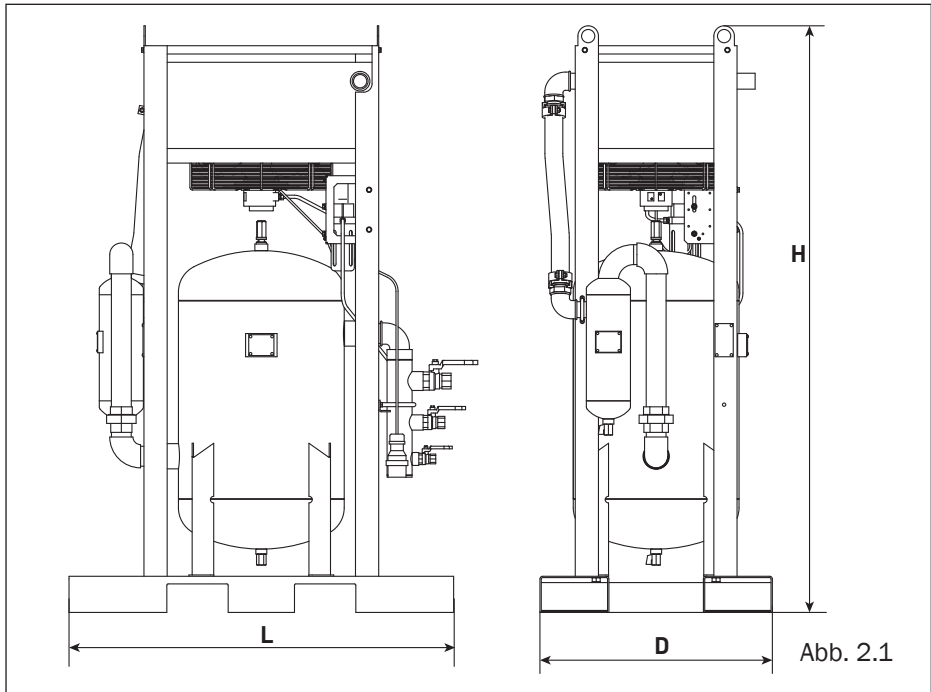


Abb. 2.1

Abmessungen, Masse der Drucklufttrockner

Modell	System				System (verpackt)			
	Höhe H, mm	Breite D, mm	Länge L, mm	Masse, kg	Höhe, mm	Breite, mm	Länge, mm	Masse, kg
MEX-E-1	1709	701	1160	220	1945	810	1260	256
MEX-P-1				215				255
MEX-E-2	1872	816	1300	251	2075	880	1400	291
MEX-P-2				245				285
MEX-E-3	2069	1122	1600	450	2245	1200	1700	497
MEX-P-3				445				485

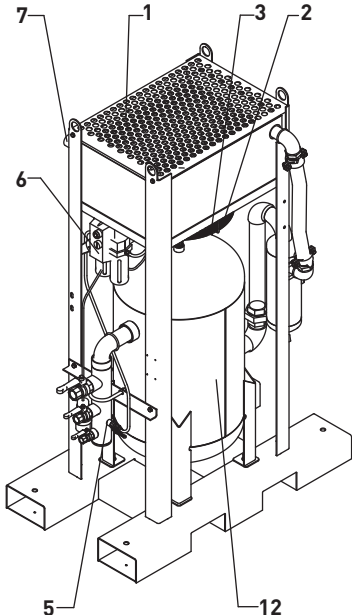
2.4 Lieferumfang

1. Kondensatentfernungssystem – 1 Stk.
2. Verpackung – 1 Stck.
3. Ordner mit Unterlagen – 1 Stck.

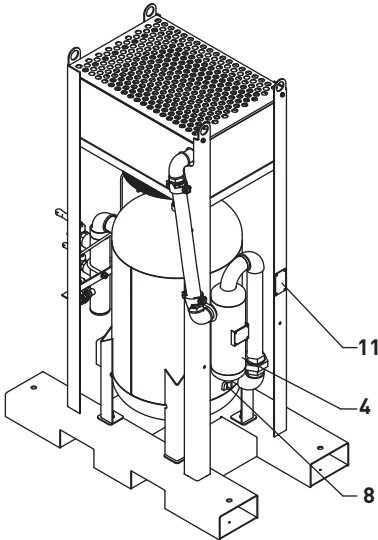
2.5 Hauptkomponenten

- 1 – Wärmetauscher
- 2 – Lüfter
- 3 – Motor
- 4 – Zyklonabscheider
- 5 – Verteilerkopf
- 6 – Luftaufbereitungseinheit (nur für MEX-P Modelle)
- 7 – Drucklufteinlassöffnung
- 8 – Ablassventil-Kugelhahn des Abscheiders
- 9 – Netzschalter (nur für MEX-E Modelle)
- 10 – Netzkabel (nur für MEX-E Modelle)
- 11 – Namensplakette
- 12 – Koaleszenzfilter
- 13 – Sicherheitsventil
- 14 – Druckregler
- 15 – Manometer
- 16 – Filter
- 17 – Öler
- 18 – Ablassventil-Kugelhahn des Koaleszenzfilters

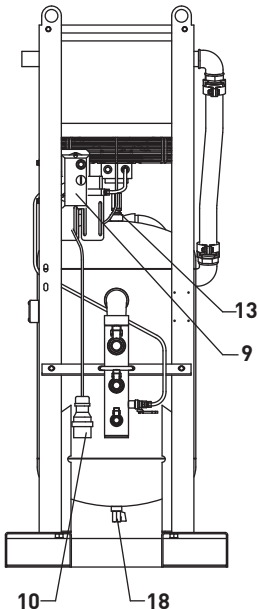
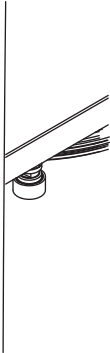
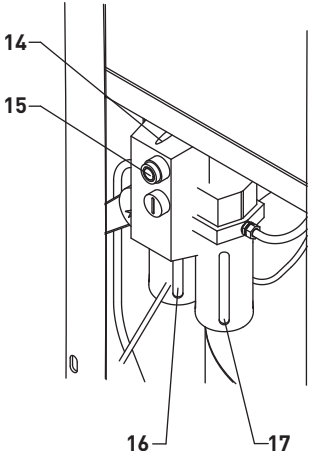
Abb. 2.2



MEX-P



MEX-E



2.6 Beschreibung des Mechanismus

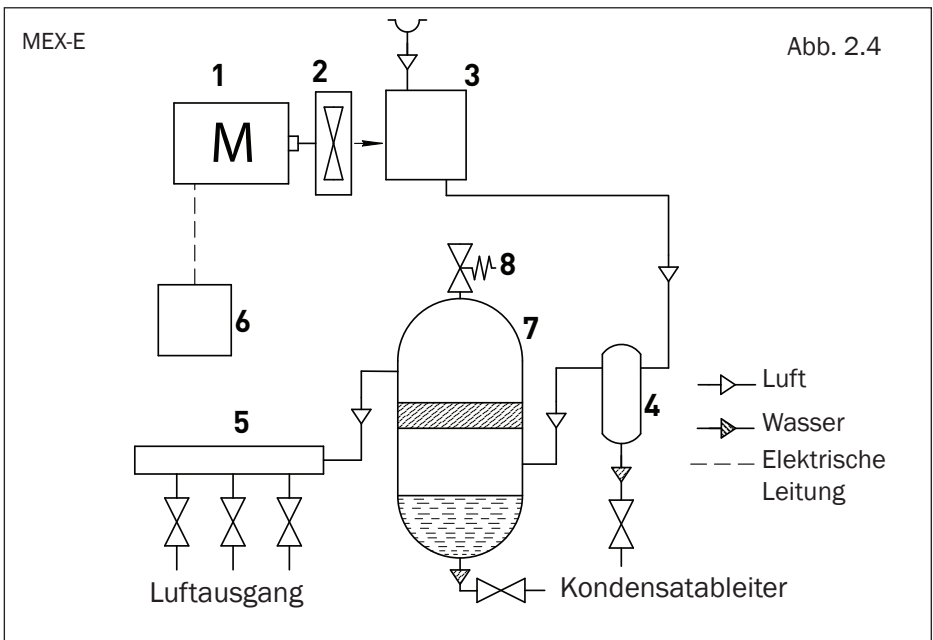
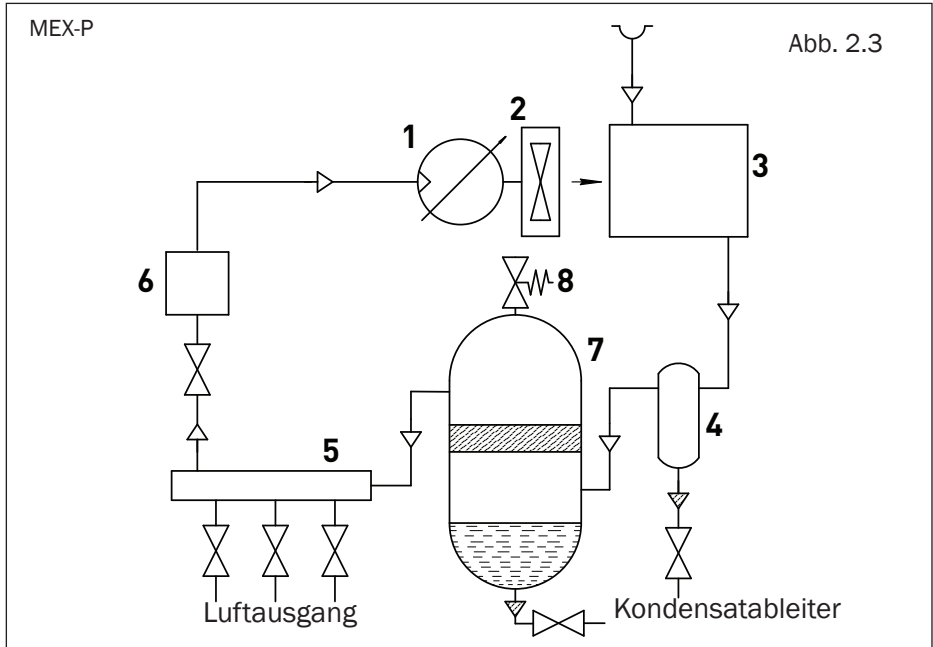
Modell MEX-E:

Druckluft aus dem Kompressor strömt durch die Luftleitung in den Wärmetauscher (3) ein, wo sie durch das Gebläse (2) mit Elektroantrieb (9), das über den Netzschalter (10) eingeschaltet wird, abgekühlt wird. Die abgekühlte Luft aus dem Wärmetauscher gelangt anschließend in den Zyklonabscheider (4), in dem die Luft unter Feuchtigkeitsentzug getrocknet wird. Als Nächstes strömt die Druckluft aus dem Zyklonabscheider in den Koaleszenzfilter (7) ein, in dem die Feuchtigkeit der Luft endgültig entzogen wird. Vom Koaleszenzfilter gelangt die Druckluft schließlich in den Verteilerkopf (5), wo sie auf bis zu drei Verbraucher gleichzeitig aufgeteilt wird.

Modell MEX-P:

Druckluft aus dem Kompressor strömt durch die Luftleitung in den Wärmetauscher (3) ein, wo sie durch das Gebläse (2) mit Druckluftantrieb (1) abgekühlt wird. Die Lüfterdrehzahl wird über einen Druckregler an der Luftaufbereitungseinheit geregelt. Die abgekühlte Luft aus dem Wärmetauscher gelangt anschließend in den Zyklonabscheider (4), in dem die Luft unter Feuchtigkeitsentzug getrocknet wird. Als Nächstes strömt die Druckluft aus dem Zyklonabscheider in den Koaleszenzfilter (7) ein, in dem die Feuchtigkeit der Luft endgültig entzogen wird. Vom Koaleszenzfilter wird die Druckluft in den Verteilerkopf (5) geleitet, wo sie auf bis zu drei Verbraucher gleichzeitig aufgeteilt und über die Luftaufbereitungseinheit (6) an den Druckluftantrieb (1) weitergeleitet wird. In der Luftaufbereitungseinheit wird Öl zugesetzt, um den Verschleiß der beweglichen Komponenten des Druckluftantriebs zu reduzieren und zusätzliches Kondensat wird entfernt.

2.7 Pneumatischer Schaltplan



Pos.	Beschreibung
1	Luftmotor
2	Lüfter
3	Wärmetauscher
4	Zyklonabscheider
5	Verteilerkopf
6	Luftaufbereitungseinheit
7	Koaleszensfilter
8	Sicherheitsventil
9	Elektromotor
10	Netzschalter

2.8 Elektrischer Schaltplan

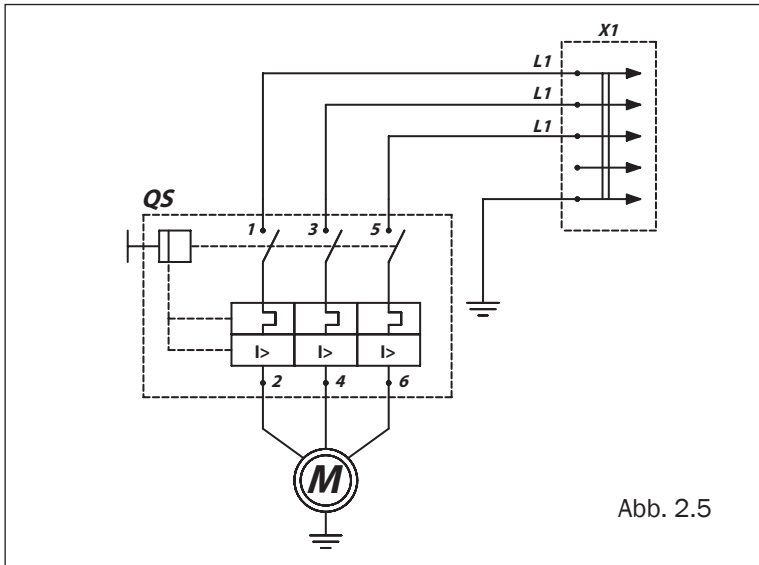


Abb. 2.5

Position	Beschreibung
X1	Netzkabel mit 3-Phasen-Stecker
QS	Motoranlasser
M	Elektroantrieb

2.9 Luftverbrauchsdiagramm des Druckluftantriebs

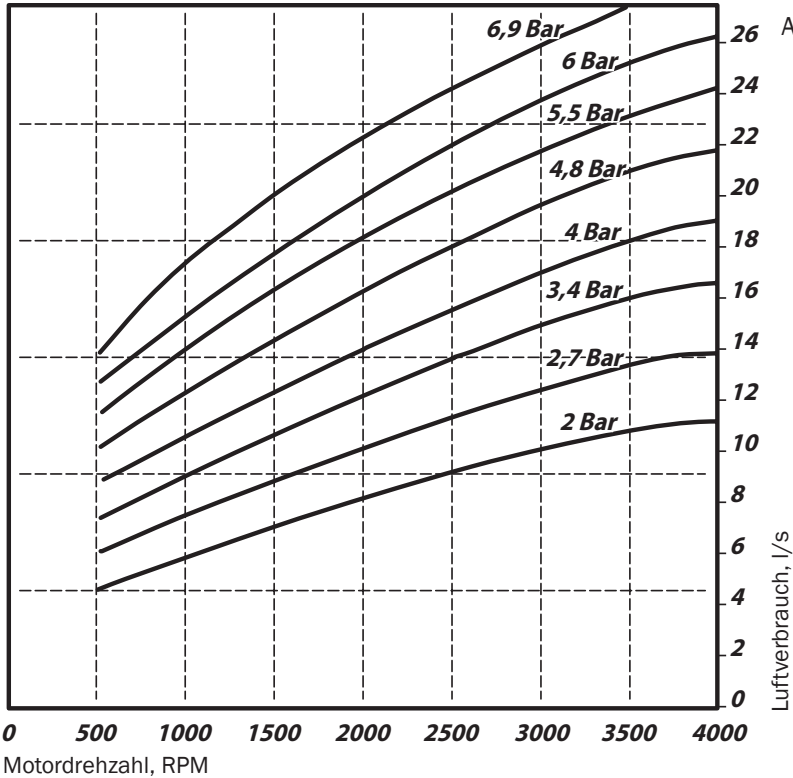


Abb. 2.6

3. Annahme der Anlage



ACHTUNG!

Wird das System während der Wintermonate geliefert, ist es nach dem Entladen vor dem Auspacken mindestens 12 Stunden in einem warmen Raum aufzubewahren. So wird vermieden, dass Kondensat mit internen Komponenten der Anlage in Kontakt kommt.

Überprüfen Sie die Verpackung bei der Lieferung und beim Entladen des Systems auf Beschädigungen. Entfernen Sie die Verpackung und überprüfen Sie die Anlage auf Schäden. Achten Sie dabei besonders auf den Netzschalter.



Warnung!

Liegen oben genannte Mängel oder Defekte vor, verständigen Sie umgehend den Lieferanten der Anlage, um das weitere Vorgehen zu klären.

4. Gebrauch

4.1 Vorbereitung der Druckluftleitung

Schließen Sie das System an die Druckluftleitung ein. Stellen Sie die Durchsatzleistung der Druckluftleitung in Übereinstimmung mit der Kompressorleistung ein.



Warnung!

Alle Komponenten der Druckluftleitung müssen einen Arbeitsdruck von nicht weniger als dem Betriebsdruck des Kondensatentfernungssystems haben.

4.2 Vor Gebrauch und täglich

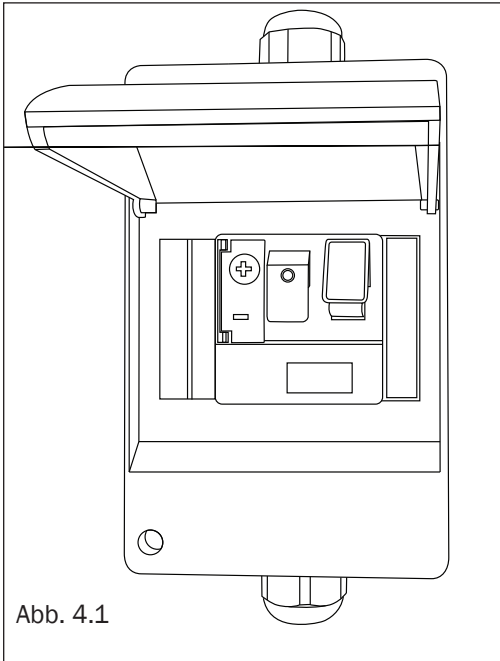
1. Öffnen Sie die Ablassventil-Kugelhähne (8 und 18) und lassen Sie das Kondensat vollständig ab.
2. Schließen Sie das Kugelventil.
3. Lassen Sie das Kondensat aus dem Filter der Luftaufbereitungseinheit ab (nur bei MEX-P Modellen).
4. Kontrollieren Sie den Ölstand im Öler der Luftaufbereitungseinheit (nur bei MEX-P Modellen).
5. Schließen Sie alle Kugelventile des Verteilerkopfes (5).
6. Stellen Sie sicher, dass das Netzkabel des Systems intakt ist (nur bei MEX-E Modellen).
7. Stellen Sie sicher, dass die entsprechenden Druckluftschläuche an Drucklufteinlass und -auslass angeschlossen sind.

4.3 System einschalten



ACHTUNG!

Das System nicht von unqualifiziertem Personal betreiben lassen.



MEX-E:

1. Öffnen Sie das Druckluftzufuhrventil an der Luftleitung, die an die MEX-E angeschlossen ist.
2. Drücken Sie die EIN-Taste des Netzschalters.

MEX-P:

1. Öffnen Sie das Druckluftzufuhrventil an der Luftleitung, die an die MEX-P angeschlossen ist.

Das System ist nun eingeschaltet.

4.4 System herunterfahren



ACHTUNG!

Das System nicht abschalten, während das Druckluftsystem unter Druck steht.

1. Unterbrechen Sie die Druckluftzufuhr vom Kompressor.
2. Drücken Sie die AUS-Taste des Netzschalters (nur bei MEX-E Modellen).
3. Öffnen Sie die Ablassventile am Zyklonabscheider und am Koaleszenzfilter und lassen Sie das Kondensat vollständig ab.

4. Schließen Sie die Ablassventile am Zyklonabscheider und am Koaleszenzfilter.

5. Schließen Sie alle Kugelventile des Verteilerkopfes.

Das System ist nun ausgeschaltet.

4.5 Nach Gebrauch

Schalten Sie das System aus und ziehen Sie den Netzstecker des MEX-E Systems aus der 380 V Steckdose.

5. Wartung

Vor der Wartung müssen die Druckluftschläuche vom Einlass und vom Verteilerkopf sowie das 380 V Netzkabel vom Stromnetz getrennt werden.

Täglich: Öffnen Sie die Ablassventile am Zyklonabscheider und am Koaleszenzfilter.

Wöchentlich: Überprüfen Sie das aus dem Zyklonabscheider austretende Kondenswasser, kontrollieren Sie visuell, wie sauber der Filter der Luft-Produktionseinheit ist, kontrollieren Sie den Ölstand in der Schmiervorrichtung und füllen Sie bei Bedarf Öl nach.

Monatlich: Je nach der Luftqualität in den Innenräumen, jedoch unbedingt vor Beginn des Sommers, sollte der Wärmetauscher mit Druckluft gereinigt und die Rippen, wenn nötig, gespült werden, um mögliche Verschmutzungen zu entfernen.

6. Fehlerbehebung

MEX-P

Problem	Mögliche Störung	Korrekturmaßnahme
Die Blätter des Lüfters drehen sich nicht.	Schwacher Luftstrom	Druck auf Druckregler-Manometer überprüfen.
	Verstopfung.	Fremdkörper aus Lüfter entfernen.
	Beschädigte Komponenten	Untersuchen Sie die Lüfterblätter auf Beschädigungen. Defekte Teile austauschen.
	Schmierstoffmangel	Freie Drehbarkeit der Lüfterblätter überprüfen Wenn der pneumatische Antrieb die Blätter nur langsam dreht, sollte eine kleine Menge Schmiermittel direkt in den Antrieb gegeben werden und der Lüfter 3-4 Umdrehungen gedreht werden. Wenn der pneumatische Antrieb den Lüfter nicht dreht, muss der Antrieb gewartet oder ersetzt werden.
Lüfterblätter drehen sich langsam.	Schwacher Luftstrom	Druck auf Luftdruckeinheit-Manometer überprüfen.
	Verstopfung.	Fremdkörper aus Lüfter entfernen.
	Beschädigte Komponenten	Untersuchen Sie die Lüfterblätter auf Beschädigungen. Defekte Teile austauschen
	Schmierstoffmangel	Freie Drehbarkeit der Lüfterblätter überprüfen Wenn der pneumatische Antrieb die Blätter nur langsam dreht, sollte eine kleine Menge Schmiermittel direkt in den Antrieb gegeben werden und der Lüfter 3-4 Umdrehungen gedreht werden. Wenn der pneumatische Antrieb den Lüfter nicht dreht, muss der Antrieb gewartet oder ersetzt werden.
Kondenswasser aus Zyklonabscheider läuft nicht ab.	Beschädigte Komponenten.	Untersuchen Sie das Kondenswasser-Ablaufventil auf Schäden. Defekte Teile austauschen
	Verstopfung.	Fremdkörper aus Ablaufventil entfernen

Problem	Mögliche Störung	Korrekturmaßnahme
Die Blätter des Lüfters drehen sich nicht.	Sicherung durchgebrannt oder	Prüfen Sie die Sicherung.
	Kurzschluss	Überprüfen Sie das Netzteil sowie die Kabelverbindungen und tauschen Sie sie, wenn nötig, aus.
	Netzteil ist defekt.	Untersuchen Sie die Lüfterblätter auf Beschädigungen. Defekte Teile austauschen
	Beschädigte Komponenten	Freie Drehbarkeit der Lüfterblätter überprüfen Wenn der Elektromotor den Lüfter nicht dreht, muss der Elektromotor gewartet oder ersetzt werden.
Lüfterblätter drehen sich langsam.	Sicherung durchgebrannt oder	Prüfen Sie die Sicherung.
	Kurzschluss	Überprüfen Sie das Netzteil sowie die Kabelverbindungen und tauschen Sie sie, wenn nötig, aus.
	Netzteil ist defekt.	Untersuchen Sie die Lüfterblätter auf Beschädigungen. Defekte Teile austauschen.
	Beschädigte Komponenten	Freie Drehbarkeit der Lüfterblätter überprüfen. Wenn der Elektromotor den Lüfter nicht dreht, muss der Elektromotor gewartet oder ersetzt werden.
Kondenswasser aus Zyklonabscheider läuft nicht ab.	Beschädigte Komponenten.	Untersuchen Sie das Kondenswasser-Ablaufventil auf Schäden. Defekte Teile austauschen.
	Verstopfung.	Fremdkörper aus Ablaufventil entfernen

7. Lagerung

Der Nachkühler ist bei einer Temperatur zwischen +5° und +40 °C und bei einer maximalen relativen Luftfeuchtigkeit von 85 % zu lagern.

8. Spezifikation MEX-1

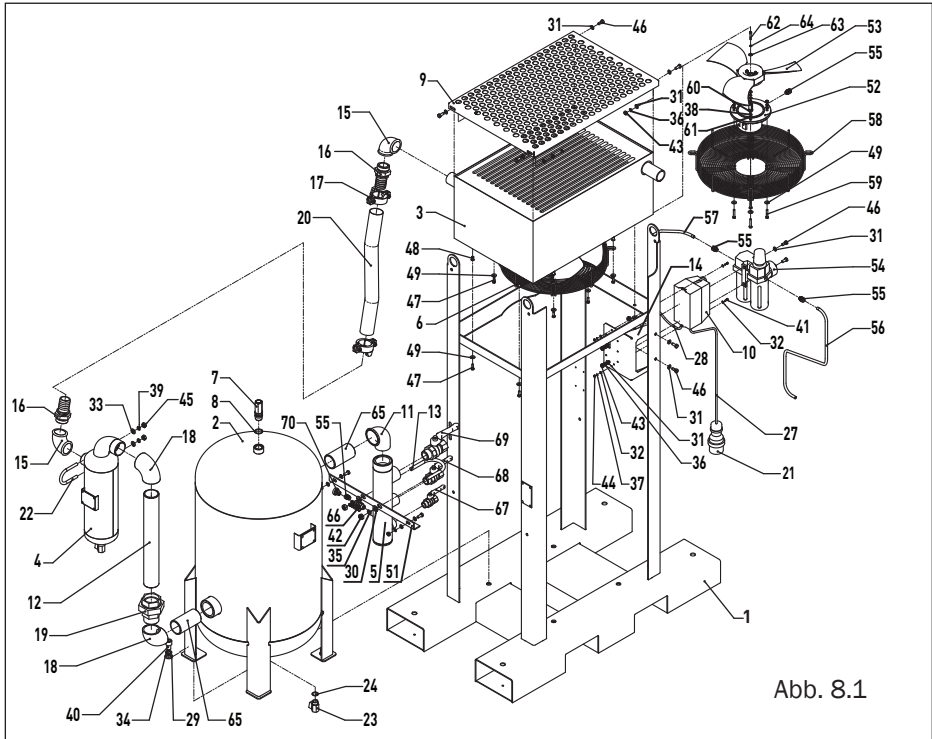


Abb. 8.1

Pos.	Artikel-Nr	Beschreibung	Menge MEX-E-1	Menge MEX-P-1
1	83400022	Gehäuse	1	1
2	89800004	Kessel	1	1
3	21010021	Wärmeaustauscher	1	1
4	86300004	Zyklonabscheider	1	1
5	83300004	Verteiler	1	1
6	28200001	Lüfter, elektrisch	1	-
7	21730002	Sicherheitsventil	1	1
8	67000008	Unterlagscheibe	1	1
9	86400001	Schutzgitter, oben	1	1
10	32130001	Elektroschalter	1	-
11	52080013	Winkel	1	1
12	82000089	Rohr	1	1
13	90100026	Schelle	1	1

14	82400017	Montageplatte	1	1
15	52080006	Winkel	2	2
16	51400021	Fitting	2	2
17	90100024	Schelle	2	2
18	52080007	Winkel	2	2
19	52100005	Verschraubung	1	1
20	42000001	Schlauch	0,53 m	0,53 m
21	33270002	Stecker	1	1
22	90100032	Schelle	1	1
23	52140004	Kugelhahn	1	1
24	67000004	Unterlagscheibe	1	1
27	34020006	Kabel	1 m	1 m
28	34020006	Kabel	0,50 m	0,50 m
29	64110016	Unterlagscheibe	4	4
30	64110012	Unterlagscheibe	2	2
31	64110008	Unterlagscheibe	16	20
32	64110004	Unterlagscheibe	4	-
33	64110010	Unterlagscheibe	2	2
34	64310016	Unterlagscheibe	4	4
35	64310012	Unterlagscheibe	2	2
36	64310008	Unterlagscheibe	8	10
37	64310004	Unterlagscheibe	2	-
38	64310006	Unterlagscheibe	8	12
39	64310010	Unterlagscheibe	2	2
40	62111625	Schraube	4	4
41	62110412	Schraube	2	-
42	63110012	Mutter	2	2
43	63110008	Mutter	8	10
44	63110004	Mutter	2	-
45	63110010	Mutter	2	2
46	61110820	Schraube	8	10
47	61110620	Schraube	8	8
48	66010005	Blindnietmutter	8	8
49	64210006	Unterlagscheibe	8	12
51	81200024	Leiste	1	1
52	28100001	Luftmotor	-	1
53	21300017	Lüfter	-	1

54	51203008	Luftvorbereitungseinheit	-	1
55	51100024	Fitting	-	4
56	41102001	Schlauch	-	0,75 m
57	41102001	Schlauch	-	0,25 m
58	21090006	Schutzgitter, Lüfter	-	1
59	61110635	Schraube	-	4
60	63110006	Mutter	-	4
61	64110006	Unterlagscheibe	-	4
62	62110530	Schraube	-	1
63	64210005	Unterlagscheibe	-	1
64	64310005	Unterlagscheibe	-	1
65	82000088	Rohr	2	2
66	52140013	Kugelhahn	-	1
67	52140006	Kugelhahn	1	1
68	52140017	Kugelhahn	1	1
69	52140018	Kugelhahn	1	1
70	51205005	Stopfen	1	-

9. Spezifikation MEX-2

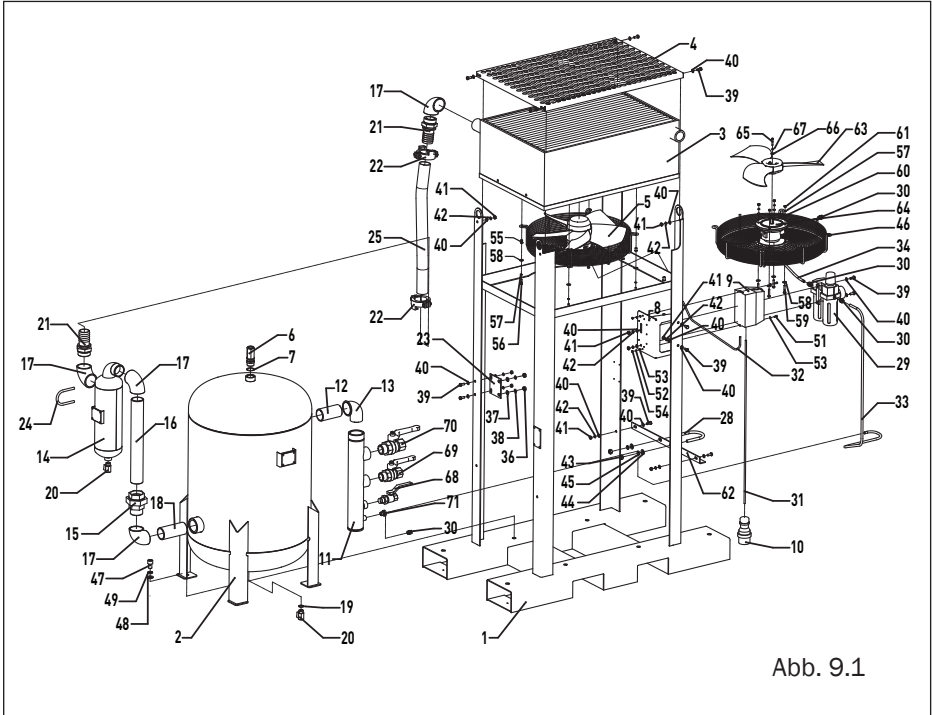


Abb. 9.1

Pos.	Artikel-Nr.	Beschreibung	Menge MEX-E-2	Menge MEX-P-2
1	83400023	Gehäuse	1	1
2	89800005	Kessel	1	1
3	21010022	Wärmeautauscher	1	1
4	86400002	Schutzgitter, oben	1	1
5	28200002	Lüfter, elektrisch	1	-
6	21730001	Sicherheitsventil	1	1
7	67000003	Unterlagscheibe	1	1
8	82400017	Montageplatte	1	1
9	32130001	Elektroschalter	1	-
10	33270002	Stecker	1	-
11	83300005	Verteiler	1	1
12	82000088	Rohr	1	1
13	52080013	Winkel	1	1

14	86300005	Zyklonabscheider	1	1
15	52100005	Verschraubung	1	1
16	82000089	Rohr	1	1
17	52080007	Winkel	4	4
18	82000090	Rohr	1	1
19	67000004	Unterlagscheibe	1	1
20	52140004	Kugelhahn	2	2
21	51400018	Fitting	2	2
22	90100021	Schelle	2	2
23	81400012	Platte	1	1
24	90100028	Schelle	1	1
25	42000012	Schlauch	0,6 m	0,6 m
28	90100026	Schelle	1	1
29	51203008	Luftvorbereitungseinheit	1	1
30	51100024	Fitting	-	4
31	34020006	Kabel	1 m	-
32	34020006	Kabel	1 m	-
33	41102001	Schlauch	-	1,3 m
34	41102001	Schlauch	0,7 m	0,7 m
36	63110010	Mutter	2	2
37	64110010	Unterlagscheibe	3	2
38	64310010	Unterlagscheibe	2	2
39	61110820	Schraube	14	16
40	64110008	Unterlagscheibe	23	28
41	63110008	Mutter	10	12
42	64310008	Unterlagscheibe	14	16
43	63110012	Mutter	2	2
44	64110012	Unterlagscheibe	2	2
45	64310012	Unterlagscheibe	2	2
46	21090005	Schutzgitter	-	1
47	62111625	Schraube	4	4
48	64110016	Unterlagscheibe	4	4
49	64310016	Unterlagscheibe	4	4
50	66010004	Blindnietmutter	4	4
51	62110412	Schraube	2	-
52	64310004	Unterlagscheibe	2	-
53	64110004	Unterlagscheibe	4	-

54	63110004	Mutter	2	-
55	66010005	Blindnietmutter	4	4
56	61110620	Schraube	4	4
57	64310006	Unterlagscheibe	4	8
58	64210006	Unterlagscheibe	4	8
59	61110635	Schraube	-	4
60	64110006	Unterlagscheibe	-	4
61	63110006	Mutter	-	4
62	81200024	Leiste	1	1
63	21300018	Lüfter	-	1
64	28100001	Luftmotor	-	1
65	62110530	Schraube	-	1
66	64210005	Unterlagscheibe	-	1
67	64310005	Unterlagscheibe	-	1
68	52140006	Kugelhahn	1	1
69	52140018	Kugelhahn	1	1
70	52140015	Kugelhahn	1	1
71	51205005	Stopfen	1	-

10. Spezifikation MEX-3

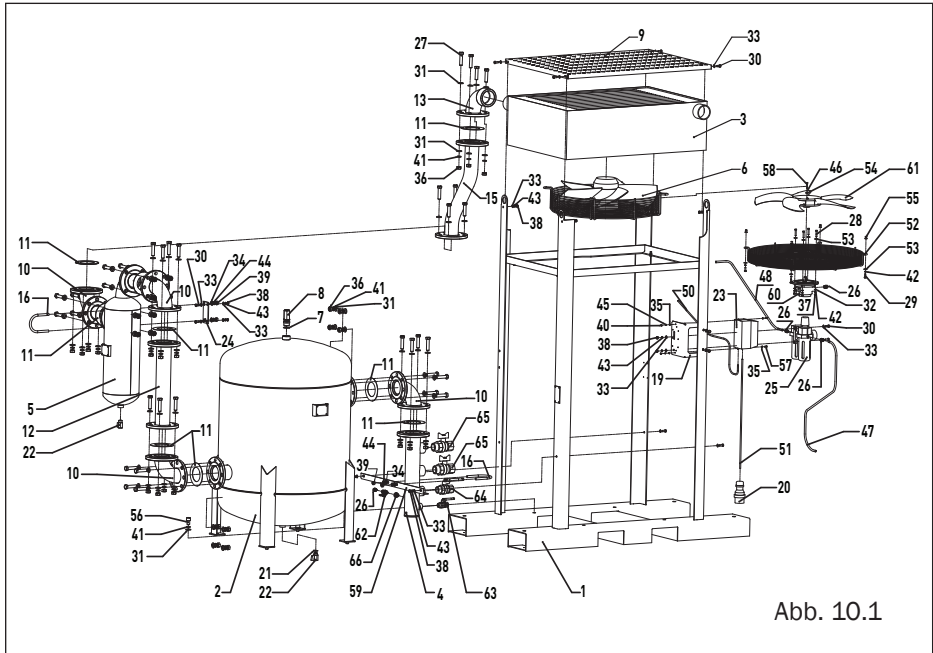


Abb. 10.1

Pos.	Artikel-Nr.	Beschreibung	Menge MEX-E-3	Menge MEX-P-3
1	83400024	Gehäuse	1	1
2	89800006	Kessel	1	1
3	21010023	Wärmeaustauscher	1	1
4	83300006	Verteiler	1	1
5	86300006	Zyklonabscheider	1	1
6	28200003	Lüfter, elektrisch	1	-
7	67000003	Unterlegscheibe	1	1
8	21730001	Sicherheitsventil	1	1
9	86400003	Gitter, oben	1	1
10	89900001	Flanschverbindung	4	4
11	90403005	Dichtung	9	9
12	82000091	Eingangsrohr	1	1
13	89900002	Rohrverbindung mit Gewinde	1	1
15	24200014	Flexschlauch	1	1
16	90100025	Schelle	2	2

19	82400017	Montageplatte	1	1
20	33270002	Stecker	1	-
21	67000004	Unterlegscheibe	1	1
22	52140004	Kugelhahn	2	2
23	32130002	Elektroschalter	1	-
24	81400013	Platte	1	1
25	51203008	Luftvorbereitungseinheit	1	-
26	51100024	Fitting	-	4
27	61111670	Schraube	36	36
28	61110635	Schraube	-	4
29	61110620	Schraube	4	4
30	61110820	Schraube	10	12
31	64110016	Unterlagscheibe	76	76
32	64110006	Unterlagscheibe	8	12
33	64110008	Unterlagscheibe	20	24
34	64110012	Unterlagscheibe	4	4
35	64110004	Unterlagscheibe	4	-
36	63110016	Mutter	36	36
37	63110006	Mutter	-	4
38	63110008	Mutter	10	12
39	63110012	Mutter	4	4
40	63110004	Mutter	2	-
41	64310016	Unterlagscheibe	40	40
42	64310006	Unterlagscheibe	8	12
43	64310008	Unterlagscheibe	10	12
44	64310012	Unterlagscheibe	4	4
45	64310004	Unterlagscheibe	2	-
46	64310005	Unterlagscheibe	-	1
47	41102001	Schlauch	-	1 m
48	41102001	Schlauch	-	1 m
50	34020006	Kabel	-	1 m
51	34020006	Kabel	-	1 m
52	21090007	Schutzgitter	-	1
53	63110006	Unterlagscheibe	-	4
54	64210005	Unterlagscheibe	-	1
55	66010005	Blindnietmutter	8	8
55	66010005	Rivet nut	8	8

56	62111625	Schraube	4	4
57	62110412	Schraube	2	-
58	62110530	Schraube	-	1
59	81200026	Leiste	1	1
60	28100001	Luftmotor	-	1
61	21300019	Lüfter	-	1
62	52140013	Kugelhahn	-	1
63	52140006	Kugelhahn	1	1
64	52140018	Kugelhahn	1	1
65	52140015	Kugelhahn	2	2
66	51205005	Stopfen	1	-

© 2015 Contracor ®. Все права защищены.

Перепечатка текста и / или использование графики. допускается только с письменного разрешения Contracor ®.

Производитель оставляет за собой право без уведомления потребителя вносить изменения в конструкцию изделий для улучшения их технологических и эксплуатационных параметров.

Вид изделий может незначительно отличаться от представленных на изображениях.

Оглавление

1.	Меры безопасности	58
1.1	Введение	58
1.2	Средства индивидуальной защиты	58
1.3	Общие меры безопасности	58
1.4	Меры безопасности при эксплуатации	59
1.5	Меры безопасности при техническом обслуживании и ремонте	60
2.	Устройство и принцип действия	61
2.1	Назначение	61
2.2	Технические данные	61
2.3	Внешний вид системы	62
2.4	Комплект поставки	63
2.5	Основные компоненты	63
2.6	Описание принципа действия	65
2.7	Схема пневматическая	66
2.8	Схема электрическая принципиальная	67
2.9	График расхода воздуха пневмодвигателя	68
3.	Приемка системы	68
4.	Эксплуатация	69
4.1	Подготовка магистрали сжатого воздуха	69
4.2	Перед началом работы ежедневно	69
4.3	Включение системы	70
4.4	Выключение системы	70
4.5	По окончании работы	71
5.	Техническое обслуживание	71
6.	Устранение неисправностей	72
7.	Хранение	74
8.	Спецификация MEX-1	74
9.	Спецификация MEX-2	77
10.	Спецификация MEX-3	80

1. Меры безопасности

Перед использованием любой системы удаления конденсата, далее по тексту – оборудования, оператор должен прочесть и уяснить содержание данного документа.

К работе с оборудованием допускается только обученный персонал.

1.1 Введение

Данное руководство должно храниться вблизи от оборудования в доступном для обслуживающего персонала месте. К эксплуатации, техническому обслуживанию и ремонту оборудования Contracor допускается только обслуживающий персонал с соответствующей степенью профессиональной подготовки.

1.2 Средства индивидуальной защиты

Всем, кто находится в области работы оборудования, следует применять средства индивидуальной защиты:

- Рабочая одежда, которая защищает руки и ноги

- Очки противоударные с боковой защитой

Убедитесь, что спецодежда застегнута, волосы убраны под головной убор.

Оператору запрещается работать с оборудованием, если оператор утомлен, находится под воздействием алкоголя, наркотических средств или лекарственных препаратов, вызывающих замедленную реакцию организма.

1.3 Общие меры безопасности

- Поврежденные детали оборудования должны заменяться сразу же после выхода из строя

- Изношенные детали оборудования должны заменяться своевременно

В случае перегрева внутренних деталей оборудования или в случае подозрений на перегрев оборудование должно быть немедленно выключено.

Поддерживайте рабочую зону оборудования в чистоте.

1.4 Меры безопасности при эксплуатации

Если доставка оборудования осуществлялась в холодный сезон, то после разгрузки в теплом помещении необходимо выдержать оборудование не менее 12 часов перед вскрытием упаковки. Это позволит избежать выпадения конденсата на внутренних деталях оборудования.

Для исключения попадания влаги в пневмосистему, подачу сжатого воздуха от компрессора необходимо начинать не ранее, чем через 10 минут после включения оборудования.

Запрещается использовать оборудование во взрывоопасной среде, в присутствии воспламеняемых материалов, токсичных паров.

Перед подсоединением или отсоединением рукава сжатого воздуха удостоверьтесь в отсутствии давления в рукаве перед отсоединением рукава от оборудования.

Перед началом работы необходимо проверить, что все соединения сжатого воздуха надежно закреплены и на них отсутствуют повреждения. Запрещается устанавливать дополнительные аксессуары, такие как масленка, влагоотделитель и др. непосредственно на входное и выходное отверстие сжатого воздуха оборудования.

Во время работы запрещается отсоединять воздушный рукав, если по нему в этот момент подается сжатый воздух.

Запрещается направлять воздушный рукав со сжатым воздухом в сторону людей.

Запрещается использовать изношенные, поврежденные или испорченные рукава сжатого воздуха.

Запрещается использовать рукава сжатого воздуха, неподходящие оборудованию по диаметру и рабочему давлению.

Запрещается прикасаться к разъемам питания во время работы оборудования.

Доступ к электрическим компонентам оборудования под напряжением разрешается только квалифицированному электрику с обязательным применением средств защиты от поражения электрическим током.

Осуществляйте регулярную проверку электрического кабеля оборудования. При обнаружении поврежденного кабеля произведите отключение оборудования. Дальнейшая работа оборудования допускается только после замены кабелей и/или устранения электрической неисправности.

При возникновении чрезмерной вибрации, шума, запаха и другой аномальной ситуации выключите оборудование.

Используйте оборудование только при номинальном напряжении питания. Повышенное или пониженное напряжение питания приводят к сокращению срока службы изделия. Следует применять стабилизатор напряжения для оборудования в условиях работы при пониженном или повышенном напряжении питания.

1.5 Меры безопасности при техническом обслуживании и ремонте

Использование оборудования не по назначению, внесение конструктивных изменений, нарушение правил эксплуатации может привести к получению увечий или смерти.

- Запрещается внесение конструктивных изменений в оборудование. Гарантия на модифицированное оборудование не действует;

- Разрешается использовать только оригинальные запасные части и вспомогательные принадлежности;

- Все работы по техническому обслуживанию должны производиться при выключенном оборудовании, с отключенном от сети кабелем питания, с отсоединенными от оборудования рукавами сжатого воздуха, работы необходимо проводить в защитных очках;

После завершения технического обслуживания никогда не оставляйте инструменты, детали, ветошь, тряпки, одежду и т.п. на корпусе оборудования.

- Запрещается для очистки оборудования использовать легковоспламеняющиеся растворители;

Запрещается проводить сварочные или слесарные работы вблизи оборудования.

После завершения технического обслуживания или ремонта удостоверьтесь, что рабочее давление, температура соответствуют номинальным значениям;



ВНИМАНИЕ!

Включение/выключение оборудования МЕХ-Е следует осуществлять только через электровыключатель.

Запрещается перемещение оборудования с места на место во время его работы.

2. Устройство и принцип действия

2.1 Назначение

Система удаления конденсата Contracor MEX предназначена для охлаждения, очистки и осушения сжатого воздуха при абразивоструйной очистке. Система удаляет конденсат и грязь, которые сокращают срок службы оборудования и снижают эффективность работы по абразивоструйной очистке.

2.2 Технические данные

Артикул	14380011	14380012	14380013	14380001	14380002	14380003
Модель	MEX-E-1	MEX-E-2	MEX-E-3	MEX-P-1	MEX-P-2	MEX-P-3
Максимальное рабочее давление, бар	12					
Производительность, мЗ/мин	20	30	45	20	30	45
Объем осушителя коалесцентного, л	150	250	500	150	250	500
Напряжение питания, В	380~ /50 Гц			—		
Максимальный ток, А	0,44	1,59	1,68	—		
Потребляемая мощность, кВт	0,135	0,82	0,83	—		
Давление воздушного мотора min/мах, бар	—			2/6		
Потребление сжатого воздуха при min/мах давлении воздушного мотора, мЗ/мин	—			0,6/1,4		
Резьбовое соединение, вход	1 1/2"	2"	3"	1 1/2"	2"	3"
Резьбовое соединение, выход	1 x 3/4" 1 x 1" 1 x 1 1/4"	1 x 3/4" 1 x 1 1/4" 1 x 1 1/2"	1 x 3/4" 1 x 1 1/4" 2 x 1 1/2"	1 x 3/4" 1 x 1" 1 x 1 1/4"	1 x 3/4" 1 x 1 1/4" 1 x 1 1/2"	1 x 3/4" 1 x 1 1/4" 2 x 1 1/2"

2.3 Внешний вид системы

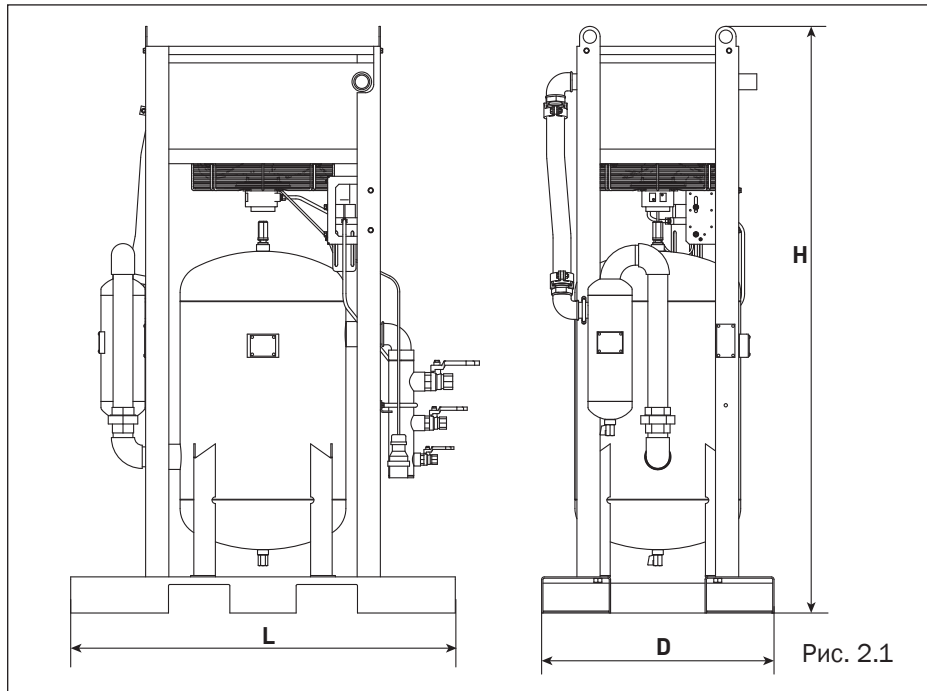


Рис. 2.1

Габаритные размеры, масса систем

Модель	Система				Система в упаковке			
	Высота H, мм	Ширина D, мм	Длина L, мм	Масса, кг	Высота, мм	Ширина, мм	Длина, мм	Масса, кг
MEX-E-1	1709	701	1160	220	1945	810	1260	256
MEX-P-1				215				255
MEX-E-2	1872	816	1300	251	2075	880	1400	291
MEX-P-2				245				285
MEX-E-3	2069	1122	1600	450	2245	1200	1700	497
MEX-P-3				445				485

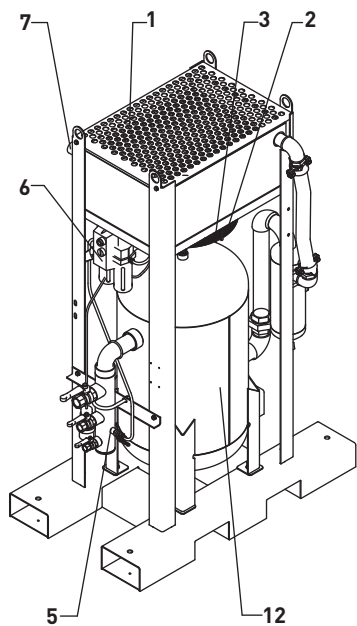
2.4 Комплект поставки

1. Система удаления конденсата – 1 шт.
2. Упаковка – 1 шт.
3. Папка с документацией – 1 шт.

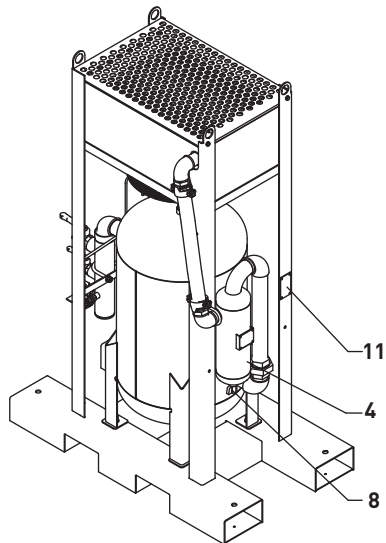
2.5 Основные компоненты

- 1 – Радиатор
- 2 – Вентилятор
- 3 – Двигатель
- 4 – Циклонный сепаратор
- 5 – Раздаточный коллектор
- 6 – Блок подготовки воздуха (только для моделей MEX-P)
- 7 – Входное отверстие сжатого воздуха
- 8 – Кран шаровый слива конденсата из сепаратора
- 9 – Электровыключатель (только для моделей MEX-E)
- 10 – Кабель питания (только для моделей MEX-E)
- 11 – Шильдик
- 12 –осушитель коалесцентный
- 13 – Клапан предохранительный
- 14 – Регулятор давления
- 15 – Манометр
- 16 – Фильтр
- 17 – Масленка
- 18 – Кран шаровый слива конденсата из осушителя

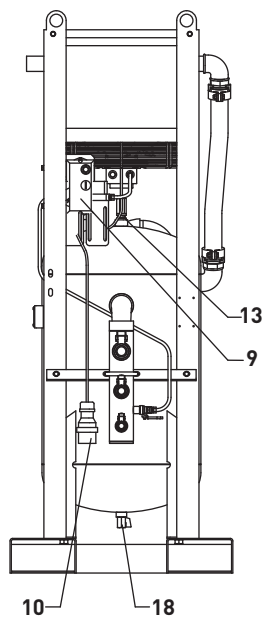
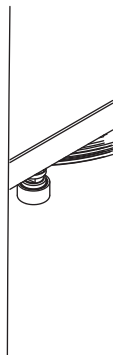
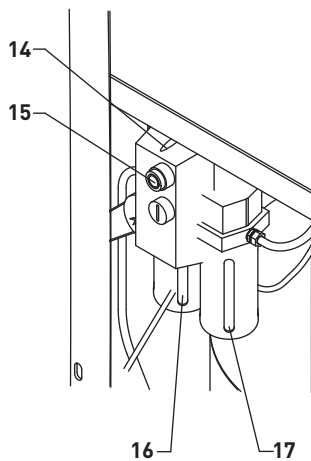
Рис. 2.2



MEX-P



MEX-E



2.6 Описание принципа действия

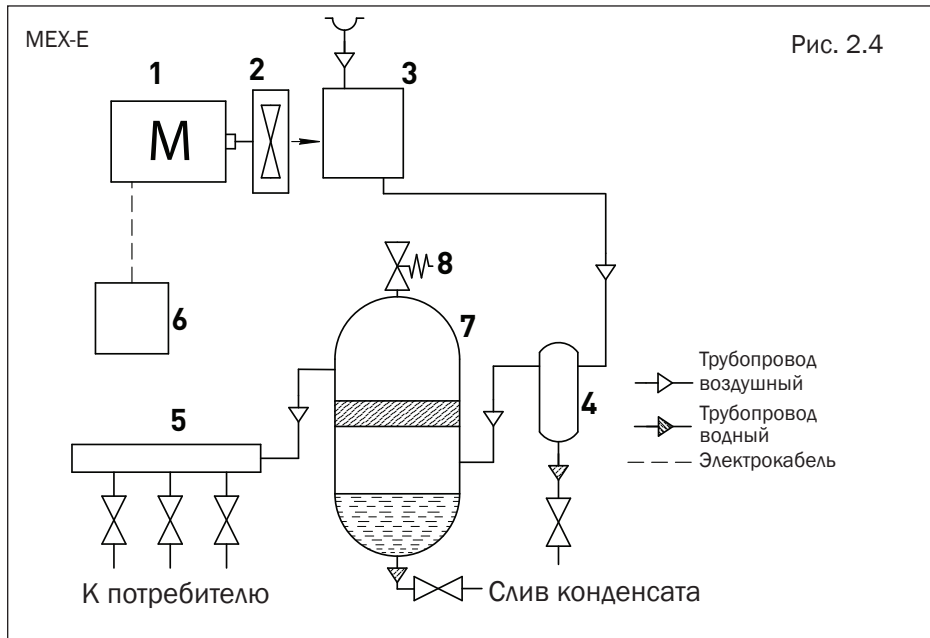
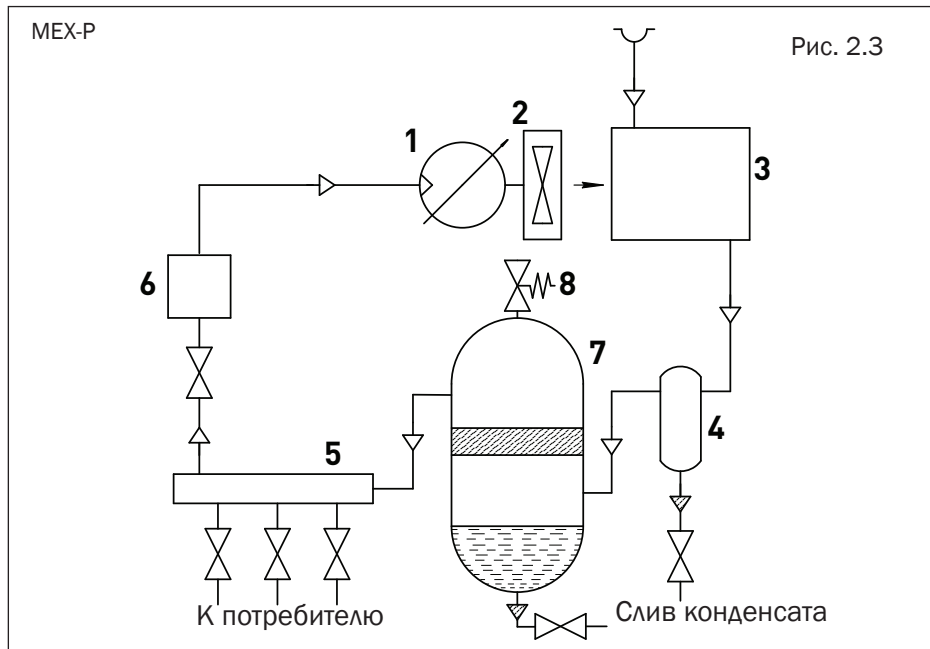
Для модели MEX-E:

Сжатый воздух от компрессора по воздушной магистрали поступает в радиатор (3), где охлаждается при помощи вентилятора (2) с электрическим приводом (9), который включается электровыключателем (10). Охлажденный воздух из радиатора поступает в циклонный сепаратор (4), где происходит осушение воздуха за счет удаления из него влаги. Из циклонного сепаратора сжатый воздух поступает в осушитель коалесцентный (7), где происходит окончательное удаление влаги из воздуха. Из осушителя коалесцентного сжатый воздух поступает в раздаточный коллектор (5), из которого может быть подан 3 потребителям одновременно.

Для модели MEX-P:

Сжатый воздух от компрессора по воздушной магистрали поступает в радиатор (3), где охлаждается при помощи вентилятора (2) с пневмоприводом (1). Скорость вращения вентилятора настраивается регулятором давления на блоке подготовки воздуха. Охлажденный воздух из радиатора поступает в циклонный сепаратор (4), где происходит осушение воздуха за счет удаления из него влаги. Из циклонного сепаратора сжатый воздух поступает в осушитель коалесцентный (7), где происходит окончательное удаление влаги из воздуха. Из осушителя коалесцентного сжатый воздух поступает в раздаточный коллектор (5), из которого может быть подан 3 потребителям одновременно, а также поступает через блок подготовки воздуха (6) в пневмодвигатель (1). В блоке подготовки воздуха добавляется масло для уменьшения износа движущихся частей пневмодвигателя и осуществляется дополнительное отделение конденсата.

2.7 Схема пневматическая



Обозначение	Наименование
1	Пневмодвигатель
2	Вентилятор
3	Радиатор
4	Циклонный сепаратор
5	Раздаточный коллектор
6	Блок подготовки воздуха
7	Осушитель коалесцентный
8	Клапан предохранительный
9	Электродвигатель
10	Электровыключатель

2.8 Схема электрическая принципиальная

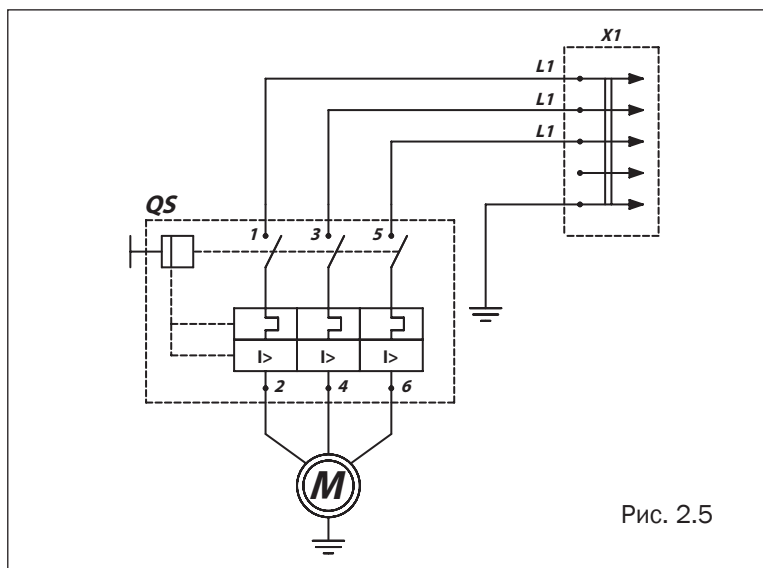
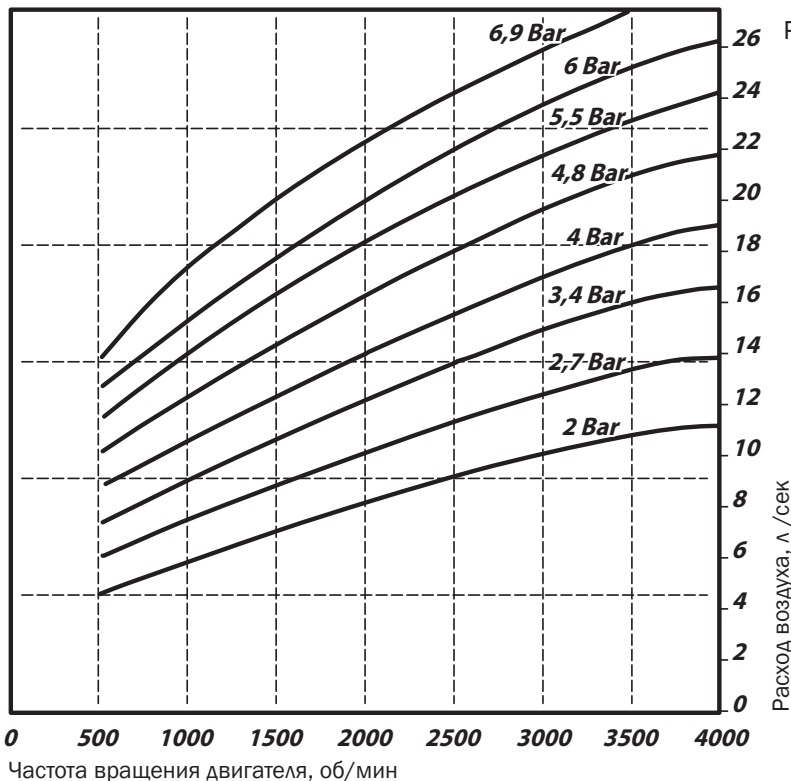


Рис. 2.5

Обозначение	Наименование
X1	Вилка сетевая 380 В
QS	Электровыключатель
M	Электродвигатель

2.9 График расхода воздуха пневмодвигателя



3. Приемка системы



ВНИМАНИЕ!

Если доставка системы осуществлялась в холодный сезон, то после разгрузки в теплом помещении необходимо выдержать систему не менее 12 часов перед вскрытием упаковки. Это позволит избежать выпадения конденсата на внутренних деталях системы.

После доставки и разгрузки системы произведите осмотр упаковки на наличие повреждений. Снимите упаковку, осмотрите систему на наличие повреждений. Обратите особое внимание на электровыключатель.



ВНИМАНИЕ!

В случае обнаружения описанных выше недостатков или дефектов обращайтесь за разъяснением дальнейших действий к вашему поставщику.

4. Эксплуатация

4.1 Подготовка магистрали сжатого воздуха

Подключите систему к магистрали сжатого воздуха. Обеспечьте пропускную способность магистрали сжатого воздуха в соответствии с производительностью системы.



ВНИМАНИЕ!

Все компоненты магистрали сжатого воздуха должны иметь рабочее давление не менее номинального давления системы.

4.2 Перед началом работы и ежедневно

1. Откройте кран шаровый слива конденсата (8) и (18) и слейте конденсат полностью;
2. Закройте краны шаровые;
3. Слейте конденсат из фильтра блока подготовки воздуха (только для моделей МЕХ-Р);
4. Проверьте уровень масла в масленке блока подготовки воздуха (только для моделей МЕХ-Р);
5. Закройте все краны шаровые на раздаточном коллекторе (5);
6. Убедитесь в целостности сетевого кабеля системы (только для моделей МЕХ-Е);
7. Убедитесь в том, что к входному отверстию сжатого воздуха и раздаточному коллектору системы подключены рукава сжатого воздуха.

4.3 Включение системы



ВНИМАНИЕ!

Не допускайте к управлению системы неквалифицированный персонал.

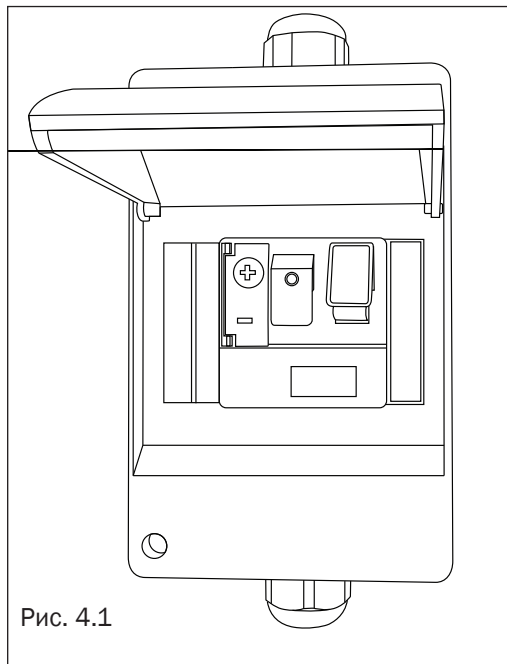


Рис. 4.1

Для МЕХ-Е:

1. Откройте вентиль подачи сжатого воздуха на магистрали, подсоединенной к МЕХ-Е.
2. Нажмите на кнопку «ВКЛ» на электровыключателе.

Для МЕХ-Р:

2. Откройте вентиль подачи сжатого воздуха на магистрали, подсоединенной к МЕХ-Р.

Система включена

4.4 Выключение системы



ВНИМАНИЕ!

Не выключайте систему если система сжатого воздуха находится под давлением.

1. Перекройте подачу сжатого воздуха со стороны компрессора.
2. Нажмите на кнопку «ОТКЛ» на электровыключателе (только для моделей МЕХ-Е);
3. Откройте краны сливной конденсата на циклонном сепараторе и осушителе коалесцентном, и слейте конденсат полностью;

4. Закройте краны сливные конденсата на циклонном сепараторе и осушителе коалесцентном;

5. Закройте все краны шаровые на раздаточном коллекторе;

Система выключена.

4.5 По окончании работы

Произведите выключение системы и отключите вилку сетевого кабеля системы MEX-E от розетки 380 В.

5. Техническое обслуживание

Перед проведением технического обслуживания обязательно отсоединяйте рукава сжатого воздуха от входного отверстия и от раздаточного коллектора, отсоединяйте сетевой кабель 380 В от сети.

Ежедневно: открыть краны сливные конденсата на циклонном сепараторе и осушителе коалесцентном;

Еженедельно: проверять слив конденсата на циклонном сепараторе, визуально проверять чистоту фильтра блока подготовки воздуха, проверять уровень масла в масленке, при необходимости доливать масло ISO VG32 или ГОСТ 20799-95 (И-20А);

Ежемесячно: в зависимости от качества воздуха в помещении, но обязательно перед началом летнего сезона, очищать радиатор сжатым воздухом и при необходимости промывать его ребра для удаления осадков грязи.

6. Устранение неисправностей

МЕХ-Р

Проблема	Возможные неисправности	Корректирующие действия
Лопasti вентилятора не вращаются	Слабый воздушный поток	Проверить давление по манометру регулятора давления
	Закупорка	Удалить посторонние предметы из вентилятора
	Повреждение деталей	Осмотреть лопасти вентилятора на наличие повреждений. Заменить неисправные компоненты
	Отсутствие смазки	Проверить свободное вращение лопастей вентилятора. Если воздушный мотор не вращает вентилятор, произвести ремонт или замену воздушного мотора.
Лопasti вентилятора вращаются медленно	Слабый воздушный поток	Проверить давление по манометру блока подготовки воздуха
	Закупорка	Удалить посторонние предметы из вентилятора
	Повреждение деталей	Осмотреть лопасти вентилятора на наличие повреждений. Заменить неисправные компоненты
	Отсутствие смазки	Проверить свободное вращение лопастей вентилятора. Если воздушный мотор вращает лопасти, но слабо, добавить немного смазки прямо в мотор, и провернуть лопасти вентилятора на 3-4 оборота. Если воздушный мотор не вращает вентилятор, произвести ремонт или замену воздушного мотора.
Циклонный сепаратор не отводит конденсат	Повреждение деталей	Осмотреть кран сливной конденсата на наличие повреждений. Заменить неисправные компоненты
	Закупорка	Удалить посторонние предметы из крана слива
Осушитель коалесцентный не отводит конденсат	Повреждение деталей	Осмотреть кран сливной конденсата на наличие повреждений. Заменить неисправные компоненты
	Закупорка	Удалить посторонние предметы из крана слива

Проблема	Возможные неисправности	Корректирующие действия
Лопаст вентилятора не вращаются	Перегорел предохранитель или короткое замыкание	Проверить предохранитель
	Блок питания неисправен	Проверить блок питания и кабельные соединения, замените при необходимости
	Повреждение деталей	Осмотреть лопасти вентилятора на наличие повреждений. Заменить неисправные компоненты
	Электродвигатель неисправен	Проверить свободное вращение лопастей вентилятора. Если электродвигатель не вращает вентилятор, произвести ремонт или замену электродвигателя.
Лопаст вентилятора вращаются медленно	Перегорел предохранитель или короткое замыкание	Проверить предохранитель
	Блок питания неисправен	Проверить блок питания и кабельные соединения, замените при необходимости
	Повреждение деталей	Осмотреть лопасти вентилятора на наличие повреждений. Заменить неисправные компоненты
	Электродвигатель неисправен	Проверить свободное вращение лопастей вентилятора. Если электродвигатель не вращает вентилятор, произвести ремонт или замену электродвигателя.
Циклонный сепаратор не отводит конденсат	Повреждение деталей	Осмотреть кран сливной конденсата на наличие повреждений. Заменить неисправные компоненты
	Закупорка	Удалить посторонние предметы из крана слива
Система не включается после нажатия на кнопку Вкл	Нет одной или нескольких фаз в сети электропитания	Проверить сеть электропитания, устранить неисправность
	Нарушена последовательность фаз в сети электропитания	Поменять последовательность фаз в сети электропитания
Осушитель коалесцентный не отводит конденсат	Повреждение деталей	Осмотреть кран сливной конденсата на наличие повреждений. Заменить неисправные компоненты
	Закупорка	Удалить посторонние предметы из крана слива

7. Хранение

Хранение системы допускается при температуре от +5 ° до +40 °С при относительной влажности воздуха не более 85%.

8. Спецификация МЕХ-1

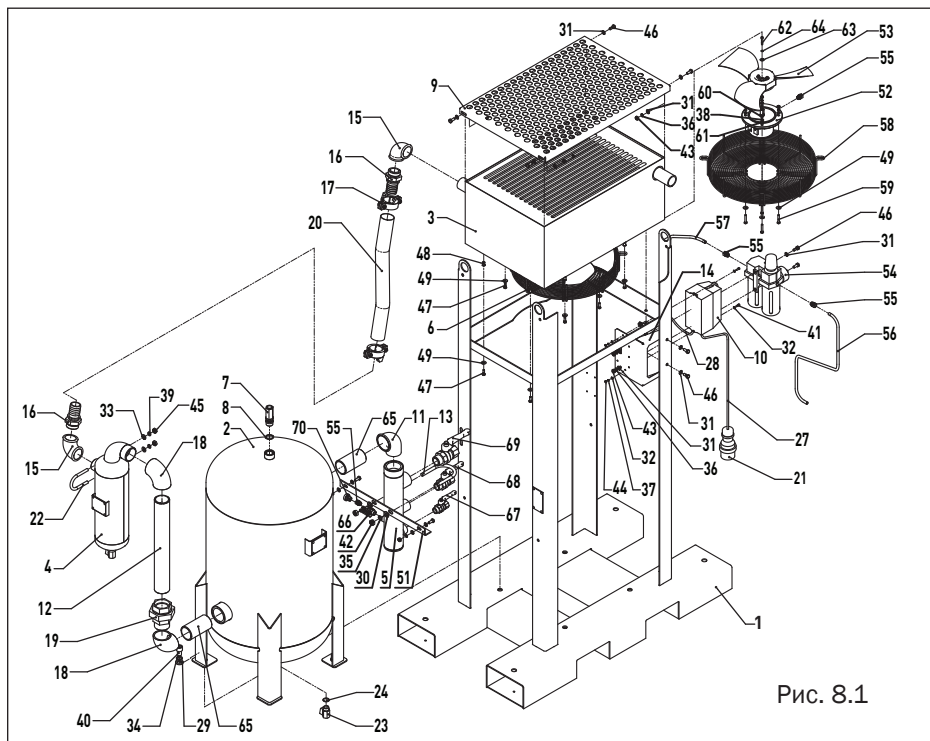


Рис. 8.1

Поз.	Артикул	Описание	Кол-во МЕХ-Е-1	Кол-во МЕХ-Р-1
1	83400022	Корпус	1	1
2	89800004	Сборник	1	1
3	21010021	Калорифер	1	1
4	86300004	Сепаратор воздуха	1	1
5	83300004	Коллектор	1	1
6	28200001	Электровентилятор	1	-
7	21730002	Клапан	1	1

8	67000008	Кольцо	1	1
9	86400001	Решётка доохладителя	1	1
10	32130001	Выключатель	1	-
11	52080013	Угольник	1	1
12	82000089	Труба	1	1
13	90100026	Хомут	1	1
14	82400017	Планка крепления универсальная	1	1
15	52080006	Угольник	2	2
16	51400021	Фитинг	2	2
17	90100024	Хомут	2	2
18	52080007	Угольник	2	2
19	52100005	Сгон	1	1
20	42000001	Рукав	0,53 м	0,53 м
21	33270002	Вилка	1	1
22	90100032	Хомут	1	1
23	52140004	Кран шаровый	1	1
24	67000004	Кольцо	1	1
27	34020006	Кабель	1 м	1 м
28	34020006	Кабель	0,50 м	0,50 м
29	64110016	Шайба	4	4
30	64110012	Шайба	2	2
31	64110008	Шайба	16	20
32	64110004	Шайба	4	-
33	64110010	Шайба	2	2
34	64310016	Шайба	4	4
35	64310012	Шайба	2	2
36	64310008	Шайба	8	10
37	64310004	Шайба	2	-
38	64310006	Шайба	8	12
39	64310010	Шайба	2	2
40	62111625	Винт	4	4
41	62110412	Винт	2	-
42	63110012	Гайка	2	2
43	63110008	Гайка	8	10
44	63110004	Гайка	2	-
45	63110010	Гайка	2	2
46	61110820	Болт	8	10

47	61110620	Болт	8	8
48	66010005	Заклепка резьбовая	8	8
49	64210006	Шайба	8	12
51	81200024	Уголок раздатки	1	1
52	28100001	Пневмопривод	-	1
53	21300017	Вентилятор	-	1
54	51203008	Пневмоблок	-	1
55	51100024	Фитинг	-	4
56	41102001	Рукав	-	0,75 м
57	41102001	Рукав	-	0,25 м
58	21090006	Решётка	-	1
59	61110635	Болт	-	4
60	63110006	Гайка	-	4
61	64110006	Шайба	-	4
62	62110530	Винт	-	1
63	64210005	Шайба	-	1
64	64310005	Шайба	-	1
65	82000088	Труба	2	2
66	52140013	Кран шаровый	-	1
67	52140006	Кран шаровый	1	1
68	52140017	Кран шаровый	1	1
69	52140018	Кран шаровый	1	1
70	51205005	Заглушка	1	-

9. Спецификация МЕХ-2

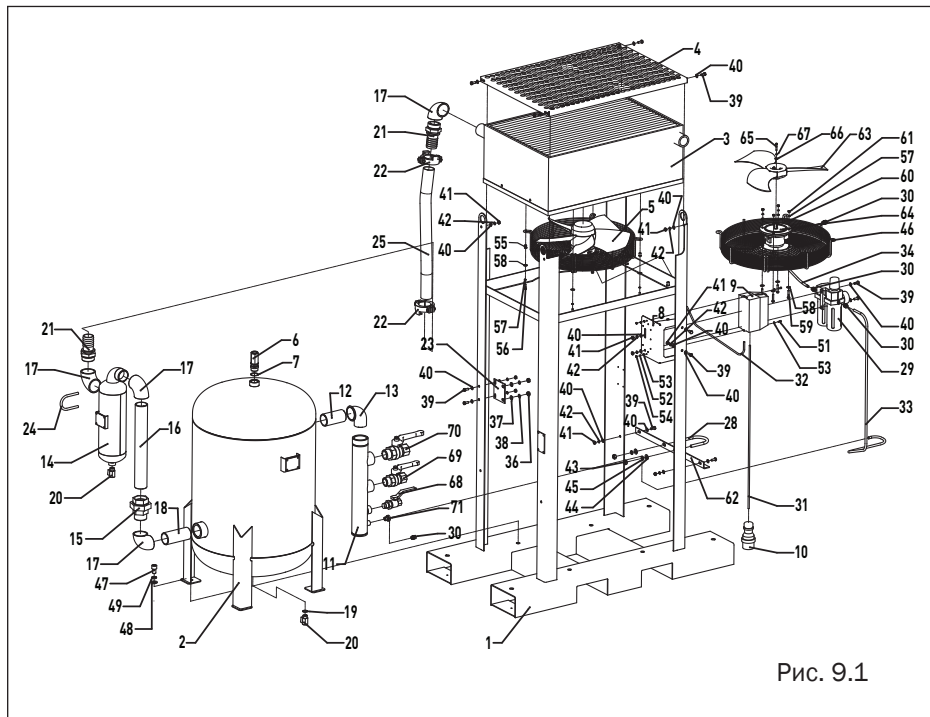


Рис. 9.1

Поз.	Артикул	Описание	Кол-во МЕХ-Е-2	Кол-во МЕХ-Р-2
1	83400023	Корпус	1	1
2	89800005	Сборник	1	1
3	21010022	Калорифер	1	1
4	86400002	Решётка доохладителя	1	1
5	28200002	Электровентилятор	1	-
6	21730001	Клапан	1	1
7	67000003	Кольцо	1	1
8	82400017	Планка крепления универсальная	1	1
9	32130001	Выключатель	1	-
10	33270002	Вилка	1	-
11	83300005	Коллектор в сборе	1	1
12	82000088	Труба	1	1
13	52080013	Угольник	1	1

14	86300005	Сепаратор воздуха	1	1
15	52100005	Сгон	1	1
16	82000089	Труба	1	1
17	52080007	Угольник	4	4
18	82000090	Труба	1	1
19	67000004	Кольцо	1	1
20	52140004	Кран шаровый	2	2
21	51400018	Фитинг	2	2
22	90100021	Хомут	2	2
23	81400012	Пластина	1	1
24	90100028	Хомут	1	1
25	42000012	Рукав	0,6 м	0,6 м
28	90100026	Хомут	1	1
29	51203008	Пневмоблок	1	1
30	51100024	Фитинг	-	4
31	34020006	Кабель	1 м	-
32	34020006	Кабель	1 м	-
33	41102001	Рукав	-	1,3 м
34	41102001	Рукав	0,7 м	0,7 м
36	63110010	Гайка	2	2
37	64110010	Шайба	3	2
38	64310010	Шайба	2	2
39	61110820	Болт	14	16
40	64110008	Шайба	23	28
41	63110008	Гайка	10	12
42	64310008	Шайба	14	16
43	63110012	Гайка	2	2
44	64110012	Шайба	2	2
45	64310012	Шайба	2	2
46	21090005	Решётка	-	1
47	62111625	Винт	4	4
48	64110016	Шайба	4	4
49	64310016	Шайба	4	4
50	66010004	Заклепка резьбовая	4	4
51	62110412	Винт	2	-
52	64310004	Шайба	2	-
53	64110004	Шайба	4	-

54	63110004	Гайка	2	-
55	66010005	Заклепка резьбовая	4	4
56	61110620	Болт	4	4
57	64310006	Шайба	4	8
58	64210006	Шайба	4	8
59	61110635	Болт	-	4
60	64110006	Шайба	-	4
61	63110006	Гайка	-	4
62	81200024	Уголок раздатки	1	1
63	21300018	Вентилятор	-	1
64	28100001	Пневмопривод	-	1
65	62110530	Винт	-	1
66	64210005	Шайба	-	1
67	64310005	Шайба	-	1
68	52140006	Кран шаровый	1	1
69	52140018	Кран шаровый	1	1
70	52140015	Кран шаровый	1	1
71	51205005	Заглушка	1	-

10. Спецификация МЕХ-3

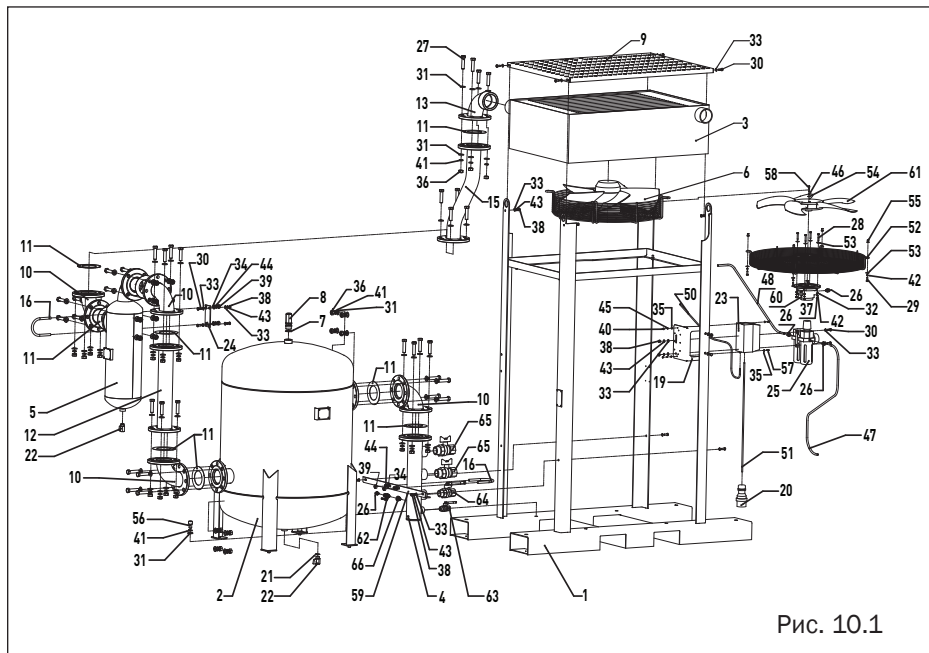


Рис. 10.1

Поз.	Артикул	Описание	Кол-во МЕХ-Е-3	Кол-во МЕХ-Р-3
1	83400024	Корпус	1	1
2	89800006	Сборник	1	1
3	21010023	Калорифер	1	1
4	83300006	Коллектор	1	1
5	86300006	Сепаратор воздуха	1	1
6	28200003	Электровентильатор	1	-
7	67000003	Кольцо	1	1
8	21730001	Клапан	1	1
9	86400003	Решетка доохладителя	1	1
10	89900001	Отвод фланцевый	4	4
11	90403005	Прокладка	9	9
12	82000091	Входная труба	1	1
13	89900002	Отвод с резьбой	1	1
15	24200014	Металлорукав	1	1
16	90100025	Хомут	2	2

19	82400017	Планка крепления универсальная	1	1
20	33270002	Вилка	1	-
21	67000004	Кольцо	1	1
22	52140004	Кран шаровый	2	2
23	32130002	Выключатель	1	-
24	81400013	Пластина	1	1
25	51203008	Пневмоблок	1	-
26	51100024	Фитинг	-	4
27	61111670	Болт	36	36
28	61110635	Болт	-	4
29	61110620	Болт	4	4
30	61110820	Болт	10	12
31	64110016	Шайба	76	76
32	64110006	Шайба	8	12
33	64110008	Шайба	20	24
34	64110012	Шайба	4	4
35	64110004	Шайба	4	-
36	63110016	Гайка	36	36
37	63110006	Гайка	-	4
38	63110008	Гайка	10	12
39	63110012	Гайка	4	4
40	63110004	Гайка	2	-
41	64310016	Шайба	40	40
42	64310006	Шайба	8	12
43	64310008	Шайба	10	12
44	64310012	Шайба	4	4
45	64310004	Шайба	2	-
46	64310005	Шайба	-	1
47	41102001	Рукав	-	1 м
48	41102001	Рукав	-	1 м
50	34020006	Кабель	-	1 м
51	34020006	Кабель	-	1 м
52	21090007	Решетка	-	1
53	63110006	Шайба	-	4
54	64210005	Шайба	-	1
55	66010005	Заклепка резьбовая	8	8
55	66010005	Rivet nut	8	8

56	62111625	Винт	4	4
57	62110412	Винт	2	-
58	62110530	Винт	-	1
59	81200026	Уголок раздатки	1	1
60	28100001	Пневмодвигатель	-	1
61	21300019	Вентилятор	-	1
62	52140013	Кран шаровый	-	1
63	52140006	Кран шаровый	1	1
64	52140018	Кран шаровый	1	1
65	52140015	Кран шаровый	2	2
66	51205005	Заглушка	1	-

