

COMPRAG®

EN

F-Series
Screw air compressor

F30–F55

OPERATING MANUAL

Version 2.0

RU

F-Серия
Компрессор воздушный винтовой

ИНСТРУКЦИЯ ПО ЭКСПЛУАТАЦИИ

Версия 2.0
стр.63

DE

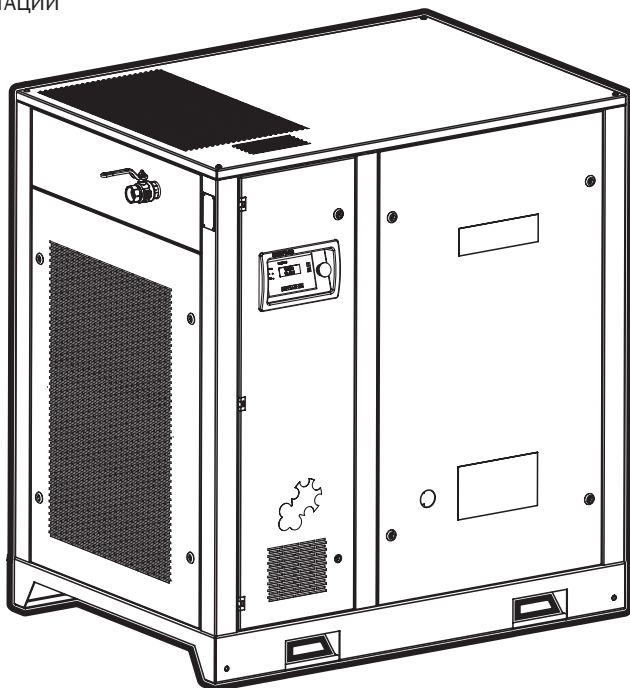
Schraubenkompressoren

F-Serie

BEDIENUNGSANLEITUNG

Version 2.0

Seite. 33



© Comrag ®. All rights reserved.

No part of the text and /or diagram may be reprinted or used without the prior written permission of Comrag.

The manufacturer reserves the right to make changes to a product design in order to enhance its technological and operational parameters without notifying the user.




The product type may considerably differ to that displayed in documents.

Table of content


1. Safety guidelines	4
1.1 Symbols used in the instructions	4
1.2 General safety guidelines	4
1.3 Safety precautions for start-up	5
1.4 Safety precautions during operation	6
1.5 Safety precautions for maintenance and repair	7
2. Technical data and functional description	8
2.1 Technical data	8
2.2 General description	9
2.3 Function diagram and main components	9
2.4 Functional description	10
2.5 Regulating system	10
2.6 Electrical diagram and main components	12
2.7 Electrical connection values	12
3. Start up	13
3.1 Lifting and carrying	13
3.2 Dimensions	13
3.3 Requirements on installation area	14
3.4 Connection to the compressed airline	15
3.5 Connection to power supply	15
4. Operation	17
4.1 Controller and operating panel	17
4.2 Error indication	20
4.3 Starting the compressor	23
4.4 Switching off the compressor	23
5. Maintenance	24
5.1 Maintenance schedule	24
5.2 Checking oil level	24
5.3 Checking drive belt	25
5.4 Replacing oil and oil filter	26
5.5 Replacing air filter	27
5.6 Changing drive belt	27
5.7 Changing air-oil separator	28
5.8 Cleaning radiator	28
5.9 Checking suction valve	29
5.10 Servicing bearings of electric motor	29
6. Fault handling	29
6.1 Faults and corrective actions	29
7. Storage and disposal	30
7.1 Storage conditions	30
7.2 Disposal of oils and process condensate	30
EC Declaration of conformity Directive 2006-42-EG	88


1. Safety guidelines

1.1 Symbols used in the instructions.

	Lethal hazard.
	Warning.
	Attention.

1.2 General safety guidelines.

	Carefully familiarise yourself with the technical documentation, operating instructions and safety guidelines. Most accidents associated with the use of compressor equipment occur as a result of non-compliance with safety guidelines. Prevent hazards from developing and adhere to the safety guidelines. The main rules are given in the following section.
---	---

	The user is solely liable for injuries or damages which occur due to non-compliance with safety guidelines during installation, operation or servicing, as well as unauthorised use of equipment!
---	---

1. The operator must stringently adhere to safety guidelines provided for by these instructions and local legislation!
2. When choosing between these safety guidelines and the regulations provided for by local legislation, those rules which provide for more stringent requirements shall apply.
3. Only trained maintenance personnel with the relevant level of professional training are permitted to operate, service and repair Comprag equipment.
4. Compressed air flowing immediately from the compressor may contain oil and impurities and is not suitable for breathing! Compressed air has to be purified to an air purity grade

suitable for breathing, in accordance with the standards prescribed by local legislation.

5. Compressed air is an extremely hazardous energy source. Compressed air must not be used for unintended purposes! Do not use it to clean clothing and footwear and never point compressed air hoses at people and animals! When using air to clean equipment, take extra caution and wear safety goggles!

6. All maintenance, repair, setup and installation work etc. must be performed while the equipment is turned off, disconnected from the power source, with compressed-air hoses disconnected from the equipment, and with the use of safety goggles! Ensure that equipment is disconnected from the compressed air system and is not under pressure.


1.3 Safety precautions for start-up



The user is solely liable for injuries or damages which occur due to non-compliance with safety guidelines during installation, operation or servicing, as well as unauthorised use of equipment!

1. Equipment must only be unloaded/loaded using the appropriate handling devices or hoisters. Equipment must not be manually lifted or moved. Do not leave equipment suspended. Use a helmet during unloading operations.
2. Arrange the equipment in a dry and clean facility which provides shelter from precipitation. The facility must be well ventilated, and forced ventilation should be provided if necessary.
3. Worn, damaged or spoiled compressed-air hoses should not be used. Ensure that hoses correspond to the equipment in terms of nominal diameter and working pressure.
4. When using several compressor stations in a system, each compressor must have a manually operated valve for cutting off any of the compressors in the case of emergency.
5. Explosive and fire-hazardous admixtures such as solvent vapours and carbon dust etc. must not be released into the atmosphere.
6. Ensure unrestricted access to the compressed-air hose from the compressor. Do not clutter it and do not store flammable materials in its immediate vicinity.
7. Do not pinch or deform the compressed-air feed hoses.
8. Do not cover holes used to provide equipment with air for cooling. Ensure the facility is well ventilated.
9. When using remote control, the equipment must give a legible and clear warning of this: 'ATTENTION: this machine is being controlled remotely and may start operating without warning!' An operator who is remotely controlling equipment must ensure that no installation or other work is being performed with the equipment at that moment. Once the equipment is turned off remotely, the operator must ensure that the equipment is actually turned off!


10. Equipment must be earthed. Provide short-circuit protection. The starting knife switch must be in the immediate vicinity of the equipment and protect against unauthorised start-up.

	<p>The user bears full responsibility for compliance with the operating conditions of the electrical motor installed in the equipment. Equipment must be used with protection devices. The protection devices must protect the electric motor from short circuits, overloading (systematic and start-up) and open-phase conditions. Installation of protection devices is the responsibility of the user.</p>
---	---


11. There must be an information plate affixed next to the control panel on equipment with an independent control system featuring an automatic restart function: 'ATTENTION: This machine may start operating without warning!'

12. Any tanks and vessels working under pressure must be fitted with safety-relief valves! Unauthorised installation, disassembly or adjustment of attached safety-relief valves is not allowed.

1.4 Safety precautions during operation.

	<p>The user is solely liable for injuries or damages which occur due to non-compliance with safety guidelines during installation, operation or servicing, as well as unauthorised use of equipment!</p>
---	--

1. Ensure that hoses correspond to the equipment in terms of nominal diameter and working pressure. Check the attachment of every hose coupling before start-up. An insecurely fastened hose may cause serious injury.
2. Never turn on equipment if you suspect the presence of highly flammable impurities in the air!
3. The operator remotely controlling equipment must ensure that no installation or other work is being performed with the equipment at that moment! An information plate must be affixed to the equipment in relation to this: 'ATTENTION: this machine is being controlled remotely and may start operating without warning!'
4. An operator is not allowed to operate equipment if the operator is fatigued, in a state of intoxication from alcohol, drugs or medicine that reduces the body's reaction time.
5. The equipment must not be operated if parts of the casing have been removed. Doors or panels may be opened for short durations for inspection and scheduled checks. It is advisable to wear hearing protection.

	<p>In some types of equipment, open doors or removal of panels during operation may lead to overheating.</p>
---	--

6. Personnel in conditions or a facility where the sound pressure level reaches or exceeds 90 dB (A), must wear ear protectors.
7. If the air used for cooling equipment is used while the facility is being heated, undertake measures for it to be filtered so that it is suitable for breathing.
8. Regularly check that:
 - safety devices and attachments are in place;
 - all hoses and pipes are in good condition and sealed;
 - there are no leaks;
 - brackets and structural components are tightened;
 - all electrical cables and contacts are in good condition and safe to use;
 - safety devices are fully functional and there is no contamination etc;
 - all structural components are in working order, with no signs of wear and tear.

1.5 Safety precautions for maintenance and repair




The user is solely liable for injuries or damages which occur due to non-compliance with safety guidelines during installation, operation or servicing, as well as unauthorised use of equipment!

1. Only original spare parts and ancillary items may be used. Using spare parts from other manufacturers may lead to unpredictable results and consequently accidents.
2. When performing installation and repair work, always wear goggles!
3. Before connecting or disconnecting equipment, disconnect it from the main pneumatic system. Ensure that the hoses aren't under pressure!
4. Before beginning installation or other work, ensure that equipment is not pressurised. Installation work must not be carried out on equipment under pressure.
5. All maintenance work should be carried out only when the temperature of all structural elements falls to room temperature.
6. Never use highly flammable solvents or carbon tetrachloride for cleaning structural elements. When wiping, take precautions against the poisonous vapours of cleaning fluids.
7. When carrying out installation and repair work, an information plate should be affixed to the control panel to warn against unauthorised start-up. For example, "Do not turn on. Personnel operating!"
8. The operator remotely controlling equipment must ensure that no installation or other work is being performed with the equipment at that moment! An information plate must be affixed to the equipment in relation to this: See 1.3.9.
9. Maintain cleanliness in the facility where the equipment is installed. Close open inlets and outlets during installation with dry clothes or paper to prevent rubbish entering the equipment.
10. Welding or other similar operations must not be carried out in the immediate vicinity of the equipment and vessels under pressure.
11. If there is any suspicion of overheating, combustion or other emergency, turn off the equipment. Immediately disconnect it from the power supply. Do not open the doors of equipment until the temperature falls to room temperature, in order to prevent burns or injury.

12. Naked flames must not be used as a light source for inspecting and checking equipment.
13. Never use caustic solvents, which may damage materials of the pneumatic system.
14. After performing installation or other work, ensure that no instruments, rags or spare parts have been left inside the equipment.
15. Pay particular attention to the safety-relief valves. Thoroughly inspect them and remove any dust and dirt. They must not be allowed to suffer any loss in function under any circumstances. Remember that your safety depends on their functionality!
16. Before beginning work in normal mode after maintenance or repair work, check that the working pressure, temperature and other characteristics are correctly set. Ensure that all control devices are installed and functioning properly.
17. When replacing filters, separators etc., wipe away dust, dirt and oil residue from the area where they are installed with a dry cloth.
18. Protect the motor, air filter, electrical components and control components etc. from coming into contact with condensate. For instance, blow down with dry air.
19. Use protective gloves during installation and repair work in order to avoid burns and injury (for instance, during oil change).

2. Technical data and functional description

	<p>Entitlement to free handling of faults arising during the guarantee period is forfeited when:</p> <ul style="list-style-type: none"> - No warranty service coupon for the compressor or it is filled out incorrectly - No records for the compressor's scheduled maintenance are entered in the compressor's service book - Unoriginal parts and lubricants are used
---	--

2.1 Technical data

Article	Model	Drive power, compressor (kW)	Max. operating pressure (bar)	Output (m ³ /min)	Rated voltage, compressor (phase/V/Hz)	Noise (dB)	Screw connection	Oil capacity, liter
11410701	F3008	30	8	4,7	3/400/50	70	1-1/4	15
11410702	F3010		10	4,0				
11410703	F3013		13	3,5				
11410711	F3708	37	8	5,9		72		
11410712	F3710		10	5,1				
11410713	F3713		13	4,4				
11410801	F4508	45	8	7,0	73	1-1/2	20	
11410802	F4510		10	6,2				
11410803	F4513		13	5,3				
11410811	F5508	55	8	8,7				
11410812	F5510		10	7,7				
11410813	F5513		13	6,5				

2.2 General description

The F-Series oil-filled screw compressor series is designed for uninterrupted and efficient compressed-air production.

The F-Series compressor is an electric motor-operated, intake-regulated, belt-driven and air-cooled compressor, enclosed in a sound-insulated canopy. An electronic controller i-Log with an LCD indicator panel is provided, including start and stop buttons and an emergency stop button. Pressure and temperature relays are used for system control and protection.

2.3 Function diagram and main components

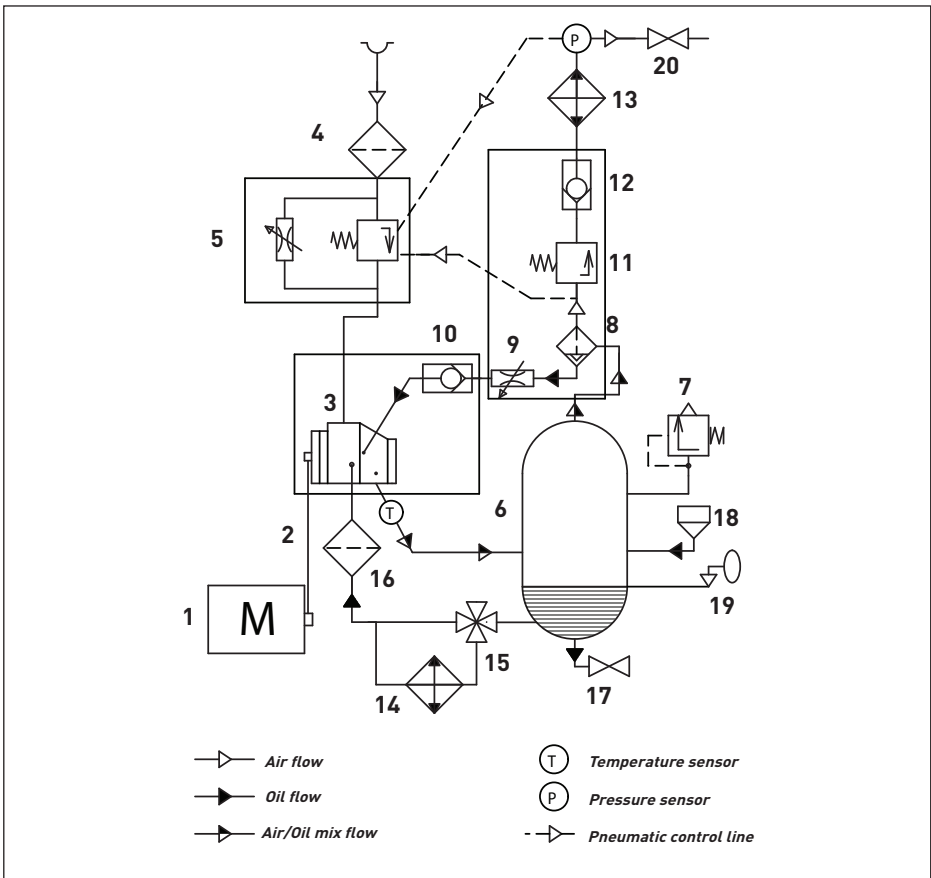


Fig. 2.3 Function diagram F30-F55

Main components

1	Electric motor	11	Min. Pressure valve
2	Belt drive	12	Non-return valve
3	Air end	13	Heat-exchanger, Air section
4	Air filter	14	Heat-exchanger, Oil section
5	Intake valve	15	Thermostatic valve
6	Air-Oil separation tank	16	Oil filter
7	Safety valve	17	Drain valve
8	Air-Oil separator	18	Oil filling plug
9	Throttle valve	19	Oil level sight glass
10	Non-return valve	20	Air outlet valve

2.4 Functional description (see Fig. 2.3)

Air flow:

Air drawn through Air filter (4) and open Intake valve (5) into compressor Air-end (3) is compressed. Compressed air and oil flow into Air-Oil separation tank (6). The air is discharged via Min. Pressure valve (11) through Heat-exchanger (13) towards the Air Outlet Valve (20).

Oil flow:

Air pressure forces oil from the air-oil separation tank (6) through the heat-exchanger (14) and the oil filter (16) to the compressor air-end (3) and the lubrication points. In the air-oil separation tank (6), most of the oil is removed centrifugally; the rest is removed by the air-oil separator (8).

The oil system is fitted with a thermostatic valve (15). When the oil temperature is below the set-point of the thermostatic valve, the thermostatic valve shuts off the oil supply from oil heat-exchanger (14). The thermostatic valve starts opening the supply from heat-exchanger (14) when the oil temperature exceeds the valve's setting. The setting of the thermostatic valve depends on the model. See table Technical Data.

Cooling system:

The cooling system is a combined radiator consisting of a part for air (13) and a part for oil (14). The ventilation takes place with a fan with separate electric motor.

2.5 Regulating system

The system is controlled by an electronic controller i-Log (4) which keeps the net pressure within programmable pressure limits by automatically loading and unloading the compressor in relation to air consumption.

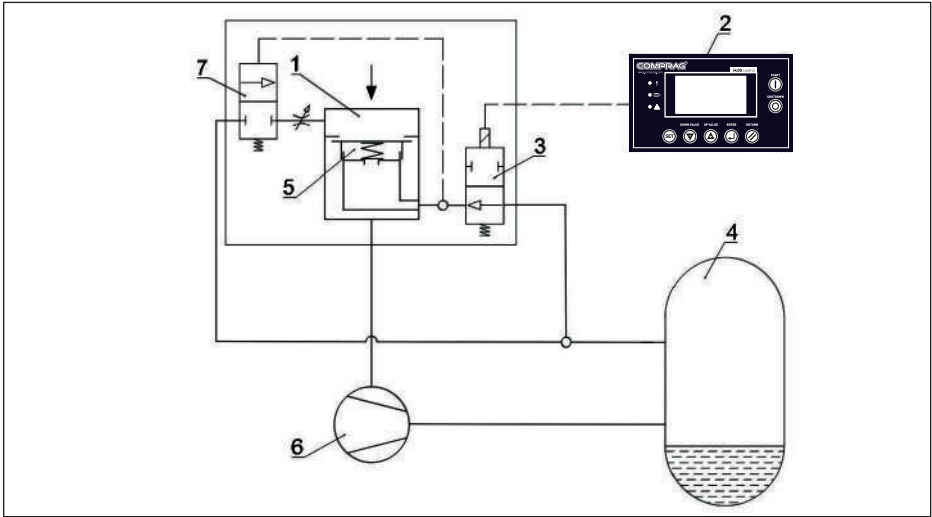


Fig. 2.5 Regulating system

Unloading:

If air consumption is less than the air delivered by the compressor, the net pressure increases and reaches the upper limit of working pressure (unloading pressure).

The controller (2) stops energize the solenoid valve (3), the valve opens, the air pressure from the separator tank (4) closes the damper (5) of the suction valve (1), and the compressor's pneumatic system is unloaded through the throttle.

Loading:

When the net pressure decreases to the loading pressure, the controller (2) energizes the solenoid valve (3). Air pressure from the separator tank (4) is interrupted and the damper (5) opens.

Air suction resumes and the compressor runs loaded.

2.6 Electrical diagram and main components

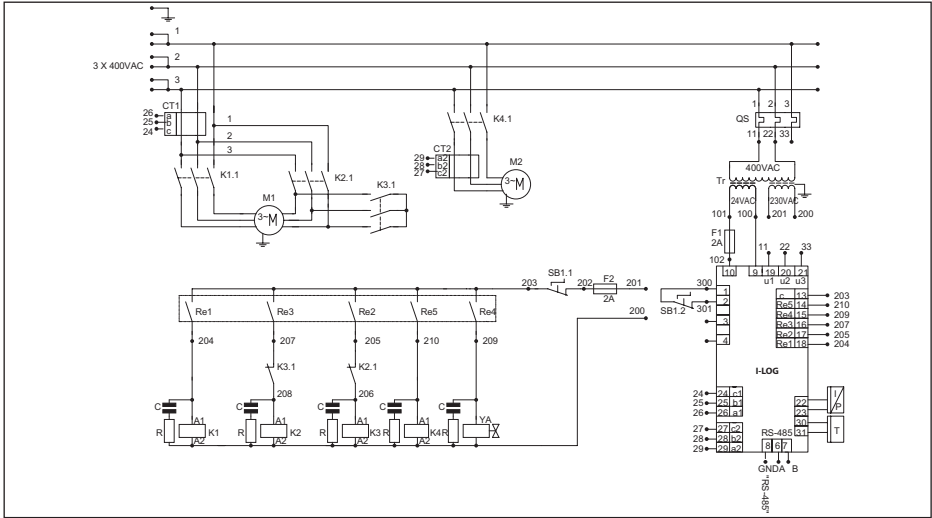


Fig. 2.6 Electrical diagram F30-F55

Main components

K1---K4	Contactor	YA	Solenoid valve
M1, M2	Electric motor	QS	Automatic power switch
T	Temperature sensor	CT1, CT2	Current Transformer
I/P	Pressure sensor	R,C	RC elements
SB	Emergency stop	Tr	Transformer
F1, F2	Fuses	i-LOG	Controller

2.7 General description

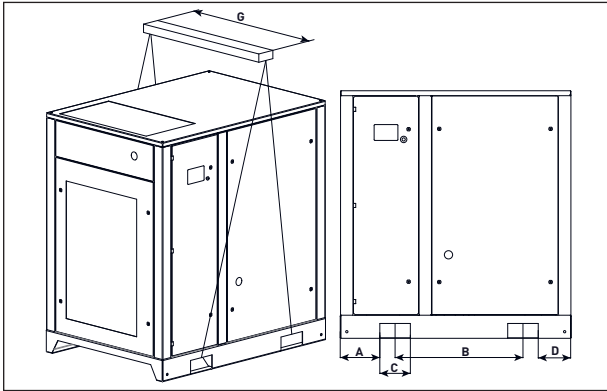
Voltage (V)	Frequency (Hz)	F30..	F37..	F45..	F55..
Material - copper. Cable size (mm ²)					
380 / 400	50	16	25	35	50
Fuse value (A)					
380 / 400	50	63	80	100	125
Motor overload relay (A)					
380 / 400	50	31,8	38,1	46,2	56

3. Start up

3.1 Lifting and carrying



All lifting should be carried out using a forklift truck with a carrying capacity suited to the compressor. Lifting may be carried out with loading cranes, winches and other machinery, using a crossbeam with the right length. Local safety guidelines for lifting have to be observed.



For transport with a forklift truck, use the rigging holes in the frame. The compressor has slotted rigging holes with width C – fig. 3.1. Move the compressor carefully.

Fig. 3.1 Lifting and carrying F30-F55

Model	A, mm	B, mm	C, mm	D, mm	G, mm
F30	332	775	185	292	1200
F37				150	
F45	540			1300	
F55					

3.2 Dimensions

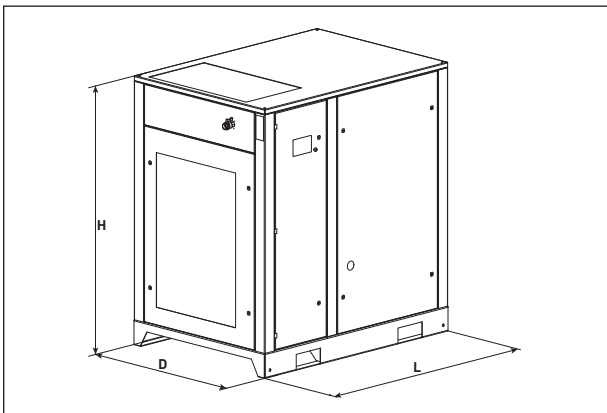


Fig. 3.2 Dimension drawing F30-F55.

Model	Compressor dimensions				Packaging dimensions			
	Length L, mm	Width D, mm	Height H,mm	Weight, kg	Length L, mm	Width D, mm	Height H,mm	Weight, kg
F30	1400	1000	1500	705	1600	1100	1750	777
F37				745				830
F45	1650	1100	1730	950	1850	1200	1860	1165
F55				1150				1194

3.3 Requirements on installation facility

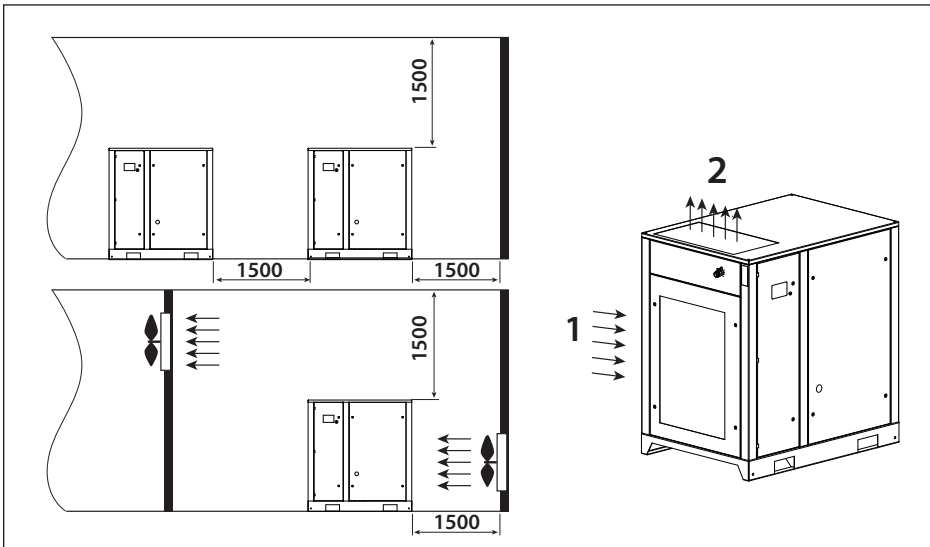


Fig. 3.3 Installation facility proposal F30 – F55.

1. Air inflow
2. Air outflow

Ensure that the floor of the facility can withstand the weight of the compressor. Install the compressor on a level surface that is able to bear its weight.

Adjust the horizontal axis of the compressor using a levelling instrument.

If the compressor is not anchored to the base on which it is installed, the tilt angle with respect to the horizontal surface must not exceed 3°.

If the compressor is anchored to the base on which it is installed, the tilt angle with respect to the horizontal surface must not exceed 7°.

Install the compressor in a facility where precipitation cannot reach.

Choose a facility for installing the compressor with a minimum level of dust. Install the compressor at least 1,5 m from walls.

If multiple compressors are installed, there should be a 1,5 m minimum distance between each compressor.

There should be a 4 m safety distance from the area of the operated equipment connected to the compressor.

The facility in which the compressor is installed must be fitted with a combined extract-and-input ventilation system.



The facility where the compressor is installed should be provided with air inflow equivalent to twice the compressor's capacity.

3.4 Connection to the compressed airline

Provide the throughput capacity of the compressed-air line in accordance with the performance of the compressor.

In order to avoid damage associated with seal failure of the compressed-air line, the compressor should be connected via a flexible hose.

All components of the compressed-air line must have a working pressure no less than the compressor's nominal pressure.

Use a pressure vessel with a capacity corresponding to the compressor's performance and the compressed air consumer.

3.5 Connecting to power supply

The compressor is not supplied with a power cable.

The cable size must be chosen to ensure that the maximum voltage drop not exceed 5 % of the nominal voltage value. Cable length must not exceed 25 m. Ambient temperature in the facility must not exceed 40°C.

The cable must be sheathed with a fire retardant compound.

An isolating switch must be fitted within reach of the compressor to facilitate connection and maintenance.



The compressor must be earthed and protected against short circuits in each phase, impermissible voltage fluctuation and phase failure.

The power cable has to be fed into the compressor.

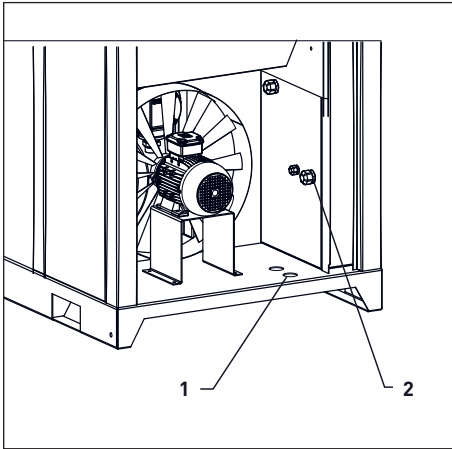


Fig. 3.5.1 Power cable connection

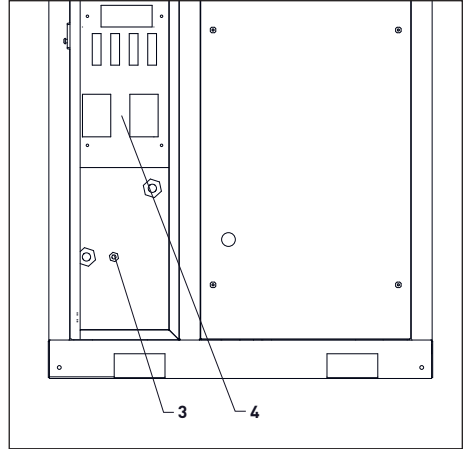


Fig. 3.5.2 Power cable terminal connection

Remove the left side panel, pass the cable under the compressor into the orifice (1) and cable gland (2).

Connect the power supply cables to the terminal 4.

The earth wire of the power cable must be connected to the corresponding earthing bolt 3.

4.0 Operation



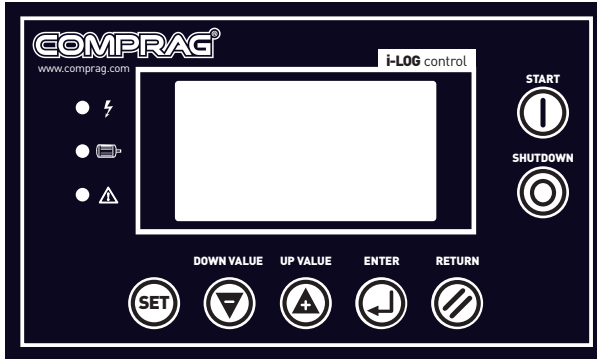
Non-qualified personnel must not be allowed to operate the compressor.

4.1 Control panel

The frequency-controlled compressors F30 and F90 are equipped with an electronic i-Log control. The electronic i-Log control maintains the network pressure between the programmable limit values by automatically adjusting the compressor speed. Operating data such as operating times and system statuses are also recorded.

4.1.1 i-Log control panel

Fig. 4.1.1 i-Log control panel



	Start compressor		Up or increase value
	Stop compressor		Down or reduce value
	Back to the main menu		Save setting
	Accept value / manually switch between loaded and idle running		

4.1.2 LCD indicator

	Power indicator (red): The indicator lights up when the control is switched on and the power supply is connected.
	Power indicator (green): The indicator lights up when the motor is running.
	Alarm/error indicator (red). Alarm (warning): The indicator flashes and the machine continues to run. Error: The indicator is permanently lit, there is an accompanying acoustic signal and the machine switches off. The error message can be acknowledged after the cause of the error has been resolved. In order to acknowledge the error message, press and hold the 'back to main menu' button .


LED indicators.

When switched on, the LCD display shows the following:

COMPRAG SCREW
AIR COMPRESSOR




The main parameters of the compressor are displayed after 5 seconds:

21 °C	0.00HZ
0.0BAR	ORPM
STOP	
CO1	LOKAL

Main menu: Click  in order to bring up the options menu:

RUN PARAMETERS	Includes current values (available for viewing)
USAGE PARAM	Includes operating settings of the main parameters (available for viewing, changes password-protected)
FACTORY PARAM	For servicing mode (view with password). Modification only possible by manufacturer
ADJUST. PARAM	Basic settings and maintenance hour counter (Password protected)

Description of the parameters. Run parameters:

Select the run parameters using the up  and down  buttons and enter . Current values are displayed.

M1 AND FAN CUR TOTAL RUN TIME THIS RUN TIME MAINTEN. PARAM
ERRORS HISTORY SERIAL NUMBER THIS ERROR COM. STATUS

The other menus have a similar structure.

Select the line “ M1 AND FAN CUR ” and press .

M1(A) AND FAN(A) A: 000.0 000.0 B: 0.0 0.0 C:0.0 0.0	Phase current of main motor and fan motor
---	---

TOTAL RUN TIME

TOTAL RUN TIME:	Total running hours (main engine running).
TOTAL LOAD TIME:	Total operating time under load (main engine running+ suction valve open).

THIS RUN TIM

THIS RUN TIME:	The current operating time from the last start.
THIS LOAD TIME:	Current running time under load

MAINTEN. PARAM

IN USAGE (H)	Time in operation (hours).
OIL FILTER:	Operating time
SEPARATOR:	Operating time
AIR FILTER:	Operating time
OIL:	Operating time
GREASE M1:	Operating time
BELTS:	Operating time

HISTORY OF ERRORS

ERRORS HISTORY	5 last errors (see below).
----------------	----------------------------

THIS ERROR

THIS ERROR	Active error (see below)
------------	--------------------------

COM. STATUS

COM. STATUS	This model is not used.
-------------	-------------------------




If there is no activity for 60 seconds in the current menu, the control will automatically return to the main menu.

Description of the parameters. Usage parameters:

The contents of this menu item can be displayed, but modifications are password-protected. Modifications may only be carried out by trained and qualified personnel.

Select the usage parameters using the up  and down  buttons and enter .

SET P, T, FREQ
SET TIME
OPERATION MODE
SEQ PARAM SET
RST MAINT TIME
MAX RUN TIME
USER PASS:
LANG.

Select „PRES/TEMP SET“ using the up  and down  buttons and enter . Current values are displayed. (Below are the example set values for the compressor with the max. 8-bar operating pressure).

P LOAD: -- bar	Loading pressure
P ULD: -- bar	Unloading pressure
T FAN ON: 0095 °C	Switch-on temperature for the fan
T FAN OFF: 0060 °C	Switch-off temperature for the fan

TIME SETTINGS

M1 START: 0008s	tripping delay overload main motor
FAN START: 0002s	tripping delay overload fan motor
STAR DELAY:0006s	STAR-DELTA-Delay
LOAD DELAY:0002s	Load delay to open the suction valve (""- ubral)
IDLE DELAY: 0300s	Idle time. Main motor is running, suction valve closed
STOP DELAY: 0010s	Delay tos top motor, when compressor is switched off
START DELAY:0060s	After switched off, a new start will be delayed

Reset maintenance counters

OIF FILTER :--h	Reset the maintenance counter
SEPARATOR: --h	Reset the maintenance counter
AIR FILTER: --h	Reset the maintenance counter
OIL: --h	Reset the maintenance counter
GREASE M1: --h	Reset the maintenance counter
BELTS : --h	Reset the maintenance counter

Wartungsintervall einstellen

OIL FILTER: 500 h	Set the intervall for maintenance
SEPARATOR: 4000 h	Set the intervall for maintenance
AIR FILTER: 2000 h	Set the intervall for maintenance
OIL: 500 h	Set the intervall for maintenance
GREASE M1: 4000 h	Set the intervall for maintenance
BELTS : 4000 h	Set the intervall for maintenance

LANGUAGE

LANG: EN/DE/RU	Select language
----------------	-----------------

PASSWORD

USER. PIN:	**** do not change****
------------	------------------------

If there is no activity for 60 seconds in the current menu, the control will automatically return to the main menu.

4.1.3 Error description

Alarm (warning): The indicator flashes and the machine continues to run. Error: The indicator is permanently lit, there is an accompanying acoustic signal and the machine switches off.

The error message can be acknowledged after the cause of the error has been resolved. In order to acknowledge the error message, press and hold the 'back to main menu' button.

Alarm (warning, compressor continues to run)

ALARM: OIL FILT	Maintenance interval exceeded
ALARM: SEPARATOR	Maintenance interval exceeded
ALARM: AIR FIL	Maintenance interval exceeded
ALARM: OIL CHANG	Maintenance interval exceeded
ALARM: GREASE M1	Maintenance interval exceeded
ALARM: BELTS	Maintenance interval exceeded
ALARM: T --. °C	T Oil/air mixture temperature at the compressor outlet high.
STOP:T LOW --. °C	The ambient temperature is too low. The compressor start is disabled.


Alarms for maintenance are triggered at the set time before maintenance. The alarm message is displayed intermittently and repeatedly in the case of an overrun maintenance interval.

Error messages (compressor stops or does not start)

ERROR STOP

STOP: M1 OVERLD --. A	Current consumption main motor too high
STOP: M1 SHORT --. A	Short circuit on the main motor
STOP: FAN OVERLD --. A	Current consumption fan motor too high
STOP: FAN SHORT --. A	Short circuit on the fan motor
STOP: PH. MISS	Phase error main motor
STOP: PHASE UNBL	Phasedisbalance at the main motor
STOP: P HIGH --. bar	Permissible operating pressure exceeded
STOP: FAN PHASE	Phase error fan motor
STOP: FAN UNBL	Phasedisbalance at the fan motor
STOP: EMERG STOP	Compressor does not start. EMERGENCY STOP button pressed

The controller saves the last 5 errors.

	Restarting operation without eliminating the cause of the fault is not permitted!
---	---

4.1.4 Group control and network operation

Group control.

With the i-LOG controller you can network several compressors via the RS485 port. Up to 16 compressors can be connected to the network. The compressor with the network address «001» is the «master», the other compressors are the «followers».

Set group control.

Select «ADJUST. PARAM.» In the main menu and go to the submenu «OPERATION MODE».

RUN: REMOTE/LOCAL	Activate Remote
LOAD: AUTO/MANUAL	Automatic
COM MODE: MODBUS	MODBUS
COM ADDRESS: 001	001 for Master

Go to the «SEQ PARAM SET» submenu in the «RUN PARAMETERS» menu.

GRP:MAST/FOLLOWER	
GRP SWITCH: 0002H	Switching time Work order in the group
GRP NUMBER	Number in the group
GRP LD: 5.2 BAR	Loading pressure in the group
GRP ULD: 8.0 BAR	Loading pressure in the group
GRP DELAY: 0020s	Switch-on delay for the next compressor in the group

After configuring this data, restart the controller to perform the update.

Then you have to configure the controller that acts as a «FOLLOWER». Set here «COM MODE: MODBUS» and the parameter «COM ADDRESS: 002» (002 for the 1.follower). Then select «RUN PARAMETERS» then press «Enter» and then select «COM. STATUS» and press «Enter». Monitoring network activity is shown in the following table.

RX : _____
TX : _____

Transmission / reception.

4.3 Starting the compressor



Before starting check oil level at sight glass on the Air-Oil separation tank.

Switch on the voltage.

Open the air outlet valve.

Press button  "Start" on the control panel.

The compressor starts running in an automatic operation mode, controlled by the i-Log electronic controller.

4.4 Switching off the compressor



To stop the compressor in the case of emergency, press the emergency stop button on the control panel.

After remedying the fault, unlock the button by pulling it out before restarting.

After emergency shutdown of the compressor, it can only be restarted again no sooner than 10 minutes later.

Press button  "Shutdown" on the control panel.

The compressor stops. LCD display is switched off.

Close the air outlet valve.

Switch off the voltage.

5. Maintenance

5.1 Maintenance schedule

Maintenance schedule

	Daily	Monthly	Yearly	Interval in work hours			
				M-1	M-2	M-3	M-2
				500	2000	4000	6000
Oil level	Check/ Refill						
Compressor oil				Replace	Replace	Replace	Replace
Air filter		Cleaning			Replace	Replace	Replace
Oil filter				Replace	Replace	Replace	Replace
Ait-Oil Separator						Replace	
Drive belt		Check					
Heat exchanger		Cleaning					
Bearings of electric motor			Lubricate				
Intake valve			Check				
Minimum pressure valve			Check				
Safety valve			Check				

Beyond 6000 working hours, compressor maintenance consists in alternating M-2 and M-3 every 2000 hours of running time. Performance of daily, weekly, monthly and annual servicing does not annul the need for maintenance in terms of operating hours.

5.2 Checking oil level

Check oil level on a daily basis. In order to access the oil level, stop the compressor and remove the front side panel.

The oil level in the compressor should be checked visually with the oil level glass (1) when the compressor has stopped.

The surface of the oil must always be visible in the sight glass.

If no oil is visible in the sight glass, the oil level is low and needs to be topped up. Using belt tension gauge, check the tensile force of the compressor belts.

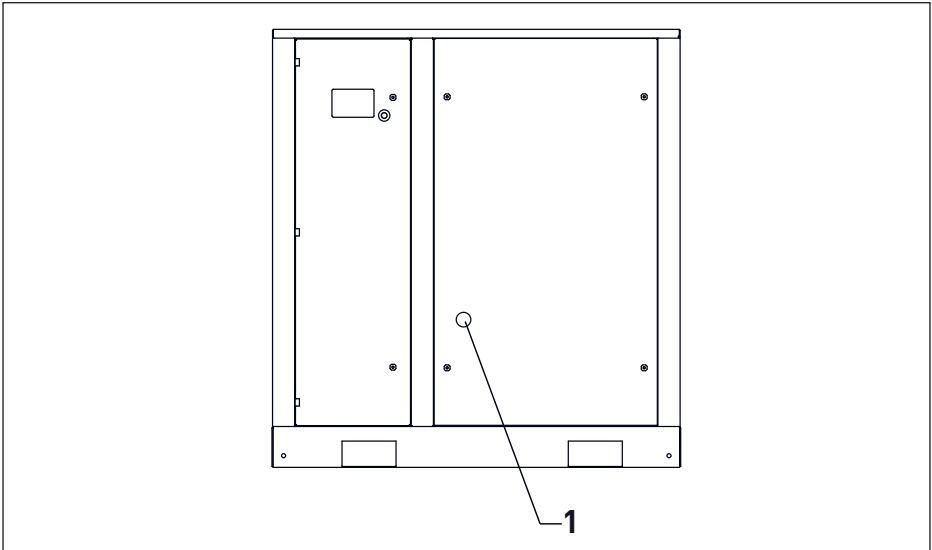


Fig. 5.2 Checking oil level

5.3 Checking drive belt

Check on a daily basis drive belts condition and the tension on drive belts.

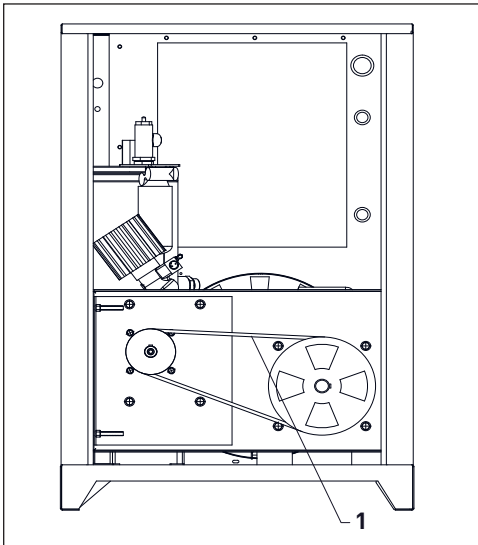


Fig. 5.3 Cheking drive belt.

In order to access the belt, stop the com-pressor and remove the right side panel. Inspect belts (1) for signs of wear on side edges and for cracks. If belts are damaged, then they should be replaced

Using belt tension gauge, check the tensile force of the compressor belts.

Model	Maximum working pressure, bar	Tension force F, N
F30	8	350
	10	350
	13	350
F37	8	400
	10	400
	13	400
F45	8	450
	10	450
	13	450
F55	8	650
	10	650
	13	650

5.4 Replacing oil and oil filter

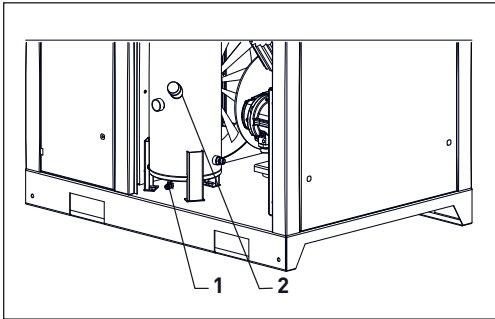


Fig. 5.4.1 Oil replacing

Open the front panel and turn the fill plug (2) one revolution in order vent system pressure.

Remove the fill plug.

Remove plug from the drain valve (1) at the bottom of the Air-Oil separation tank. Drain the oil into a dedicated vessel from the separator tank after opening the drain valve.

Fill the Air-Oil separation tank with oil until it is level with the middle of the sight glass. Refit and tighten the drain valve plug and the fill plug.

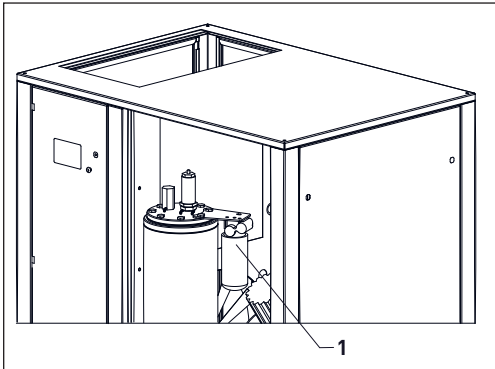


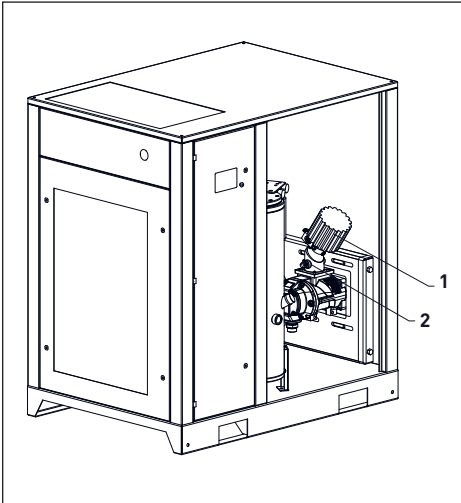
Fig. 5.4.2 Oil filter replacing

Open the front side panel. Remove the oil filter (1) using a special Oil Filter Wrench. Drain the oil from the filter into a dedicated vessel and clean the filter seat.

Oil the gasket of the new oil filter and screw it into place. Only tighten oil filter by hand. Start up the compressor. Stop the compressor and let it run idly for several minutes in order for the oil to circulate and air to be extracted from the oil system. Wait several minutes until the oil settles and the inner pressure drops.

If necessary, unscrew the fill plug and add oil until it is level with the middle of the sight glass. Place the fill plug into its initial position and tighten it.

5.5 Replacing air filter



The air filter (1) is attached to the compressor's intake valve. In order to replace it, open the front side panel, loosen the clamp (2) securing the filter. Remove the contaminated filter, and detach the clamp from it. Set the new filter in its place and fit into place with the clamp.

Fig. 5.5 Air filter replacing

5.6 Changing drive belt

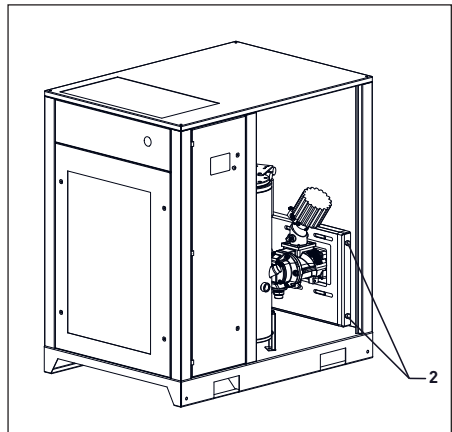
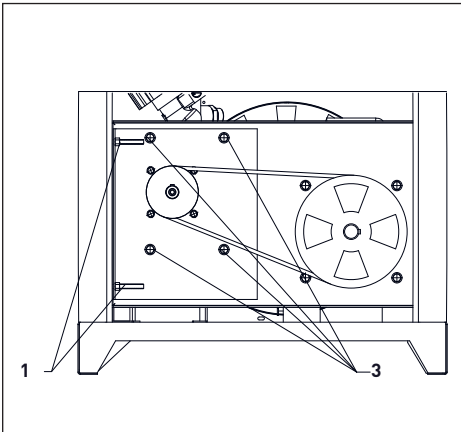
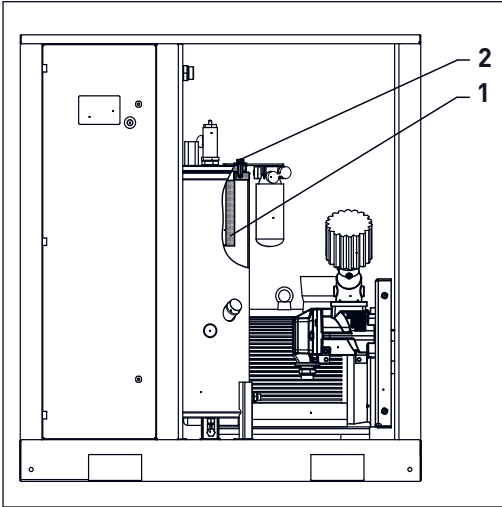


Fig. 5.6 Changing drive belt

Open the front and right side panel, loosen the 4 screws (3) securing the bracket of the air end by turning them 2 revolutions. Loosen the 2 bolts of the support (2) and the 2 corresponding nuts (1) on the tensioner using a wrench. Remove the old belts from the pulleys and install the new belts. After installing the new belt, tighten the belt with the appropriate tensile force (see section 5.3 Checking Drive Belt). Tighten the 2 bolts of the support (2)

and the 2 corresponding nuts on the tensioner. Tighten the 4 screws of the bracket of the air end. Check the belt tension within four hours of the compressor's operation in accordance with section 5.3.

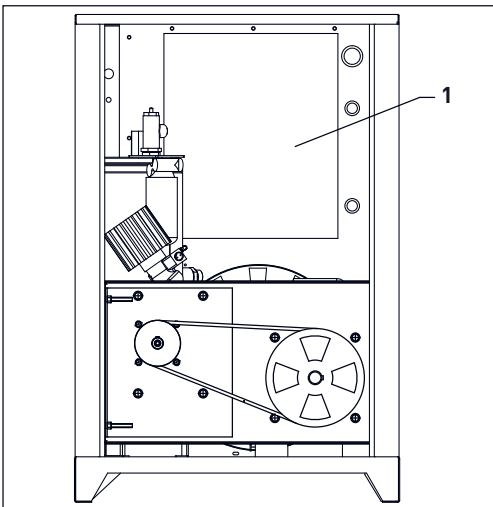
5.7 Changing air-oil separator



The separating component (1) is located within the separator tank. Open the front panel in order to change it. Unscrew the bolts (2) and carefully remove the top cap of the tank. Disconnect hoses if they make it difficult to remove the cap. Remove the spent separator and install a new one in its place. Refasten the tank cap.

Fig. 5.7 Changing air-oil separator

5.8 Cleaning radiator



In order to access the radiator (1), open the front or right panel. Regularly clean the radiator in order to maintain its cooling efficiency at an acceptable level.

Remove any dirt particles from the radiator using a fibre brush, then aim a jet of compressed air at the radiator from the bottom to the top; the jet should be held at an approximate 90° angle to the plane of the radiator.

Fig. 5.8 Cleaning radiator

5.9 Checking suction valve

In order to access the intake valve, the air filter has to be removed in accordance with section 5.5.

Then open the air throttle by hand, ensuring that it has a smooth stroke and can be opened fully. If the air throttle jams or doesn't operate fully, then replace the valve with a new one.

5.10 Servicing bearings of electric motor

When the compressor is used, fresh viscous lubricant (formulated for rolling bears) should be added to the motor's bearings.

Lubricant should be added using a special syringe for viscous lubricants through lubricators accommodated in the motor's bearing caps.

The volume of lubricant added can be calculated using the formula:

$$D^2 \text{ motor shaft (mm)} \times 0,005 = M \text{ (lubricant mass)(g)}$$

Do not over-lubricate the bearings beyond the standard level as all excess lubricant will be squeezed out of the bearings into the motor when the motor is running.

6. Fault handling

6.1 Faults and corrective actions

Problem	Possible faults	Corrective actions
The compressor starts up with lag. There is a slow build up in the electric motor's speed.	The belt is overtightened	Tighten the belt with the relevant load.
	The oil is thick.	Replace the oil.
There's a whistling during the compressor's operation.	The belt is slipping.	Tighten the belt with the appropriate tensile force (see section 5.3 Checking drive belt).
The compressor won't start. There's a temperature block on the control unit's display.	The ambient air temperature in the facility does not meet the required temperature (below +5 °C or above +40 °C).	Ensure the necessary ambient air temperature where the compressor is installed.
The compressor is overheating.	There's insufficient ventilation in the facility where the compressor is installed.	Increase the air circulation inside the facility.
	The oil level is too low.	Top up oil.
	The radiator is dirty	Blow down the radiator with compressed air.

The safety-relief valve of the separator tank is activated.	The separator is dirty.	Perform maintenance by replacing the separator.
	The pressure is too high (over 13 bar).	Set the working pressure below 13 bar.

7. Storage and disposal

7.1 Storage conditions

The compressor should be kept at a temperature between -20 ° and +35 °C with max. 85% relative humidity.

7.2 Disposal of oils and process condensate

Used oils, greasy filters and separators should be recycled in a sealed container and disposed of at a local recycling or disposal facility. Do not allow precipitation to mix with oil. Process condensate contains oil. Local environmental regulations govern the degree of contamination of condensate discharge into sewers. Use process condensate separators to separate oil and further impurities from condensate.

Replaceable components of a process condensate separator should be disposed of in the same way as greasy wiping cloths.

© Comprag ®. Alle Rechte vorbehalten.

Die Textteile, Abbildungen, Tabellen und Diagramme dürfen nicht ohne Genehmigung der Comprag GmbH kopiert oder veröffentlicht werden.




Technische Daten, Spezifikationen und Details dieser Bedienungsanleitung können ohne vorherige Ankündigung geändert werden.

Comprag GmbH



1	Sicherheitsrichtlinien	33
1.1	Symbolerklärung	33
1.2	Allgemeine Sicherheitsrichtlinien	33
1.3	Sicherheitshinweise für die Inbetriebnahme	34
1.4	Sicherheitshinweise für den Betrieb	35
1.5	Sicherheitshinweise für die Wartung und Reparatur	36
2	Technische Daten und Funktionsbeschreibung	37
2.1	Technische Daten	38
2.2	Allgemeine Beschreibung	39
2.3	Ablaufdiagramm und Hauptkomponenten	39
2.4	Funktionsbeschreibung	40
2.5	Pneumatikplan Last- Leerlauf	40
2.6	Elektro-Schaltplan	41
2.7	Elektrische Anschlusswerte	42
3	Inbetriebnahme	42
3.1	Transport	42
3.2	Abmessungen	43
3.3	Voraussetzungen für die Installation am Standort	44
3.4	Anbindung an die Druckluftleitung	45
3.5	Anbindung an das Stromnetz	45
4	Betrieb	47
4.1	Steuerung und Bedienfeld	47
5	Wartung	53
5.1	Wartungsplan	53
5.2	Prüfen des Ölstands	54
5.3	Überprüfung des Antriebsriemens	55
5.4	Austausch des Öls und der Ölfilter	56
5.5	Austausch des Luftfilters	57
5.6	Wechsel des Antriebsriemens	57
5.7	Austausch des Luft/Öl-Separators	58
5.8	Wärmeaustauscher reinigen	58
5.9	Ansaugventil überprüfen	59
5.10	Service für die Lager des Elektromotors	59
6	Fehlerbehebung	59
6.1	Fehler und Korrekturmaßnahmen	59
7	Lagerung und Entsorgung	60
7.1	Lagerbedingungen	60
7.2	Entsorgung von Öl und Prozesskondensat	60
	EC Declaration of conformity Directive 2006-42-EG	88

1. Sicherheitsrichtlinien

1.1 Symbolerklärung.

	Lebensgefahr.
	Warnung.
	Achtung.

1.2 Allgemeine Sicherheitsrichtlinien.

	Machen Sie sich sorgfältig mit den technischen Dokumenten, Betriebsanleitungen und Sicherheitsrichtlinien vertraut. Ein Großteil der Unfälle im Umgang mit Kompressoranlagen ist auf Nichteinhaltung von Sicherheitsrichtlinien zurückzuführen. Vermeiden Sie unnötige Risiken und halten Sie sich an die Sicherheitsrichtlinien. Die wichtigsten Regeln sind im Folgenden beschrieben.
	Der Benutzer trägt die volle Verantwortung für Verletzungen oder Schäden, die während der Montage, des Betriebs, der Wartung sowie aufgrund von unberechtigter Nutzung der Anlage auftreten.

1. Der Betreiber hat die in diesen Anweisungen sowie in den geltenden gesetzlichen Vorschriften enthaltenen Sicherheitsrichtlinien genauestens einzuhalten!
2. Bei Überschneidungen der Sicherheitsrichtlinien mit der örtlichen Gesetzgebung gelten stets die strengeren Vorschriften.
3. Nur Wartungspersonal mit entsprechender Berufsausbildung ist es gestattet, Comprac-Anlagen zu bedienen, zu warten und zu reparieren.
4. Druckluft, die direkt vom Kompressor kommt, kann Öl und Verunreinigungen enthalten und ist nicht als Atemluft geeignet! Druckluft muss in Übereinstimmung mit den geltenden gesetzlichen Vorschriften auf einen zur Atmung geeigneten Luftreinheitsgrad gebracht werden.

5. Druckluft ist eine äußerst gefährliche Energiequelle. Druckluft darf niemals unsachgemäß verwendet werden! Verwenden Sie niemals Druckluft, um Kleidung oder Schuhe zu reinigen und zielen Sie mit Druckluftschläuchen niemals auf Menschen oder Tiere! Bei der Reinigung von Geräten mit Druckluft ist äußerste Vorsicht geboten. Tragen Sie dabei immer eine Schutzbrille!
6. Wartungs-, Reparatur-, Aufbau-, und Montagearbeiten dürfen nur durchgeführt werden, wenn das Gerät ausgeschaltet ist, von der Stromquelle getrennt ist, die Druckluftschläuche vom Gerät getrennt sind und beteiligte Personen Schutzbrillen tragen. Stellen Sie sicher, dass die Anlage vom Druckluftsystem getrennt ist und nicht unter Druck steht.

1.3 Sicherheitshinweise für die Inbetriebnahme



Der Benutzer trägt die volle Verantwortung für Verletzungen oder Schäden, die während der Montage, des Betriebs, der Wartung sowie aufgrund von unberechtigter Nutzung der Anlage auftreten..

1. Anlagen dürfen ausschließlich mit entsprechenden Handhabungsgeräten oder Kränen auf-/abgeladen werden. Anlagen dürfen nicht von Hand angehoben oder bewegt werden. Anlagen niemals an Hebezeugen o. Ä. hängen lassen. Beim Abladen immer einen Helm tragen.
2. Stellen Sie die Anlagen in einem trockenen und sauberen Gebäude auf, wo sie vor Niederschlag geschützt sind. Das Gebäude muss ausreichend und bei Bedarf durch Fremdbelüftung belüftet sein.
3. Abgenutzte, beschädigte oder defekte Druckluftschläuche dürfen nicht verwendet werden. Stellen Sie sicher, dass die verwendeten Schläuche hinsichtlich Durchmesser und Betriebsdruck für die jeweiligen Geräte geeignet sind.
4. Sind in einem System mehrere Kompressorstationen vorhanden, benötigt jeder Kompressor ein von Hand betätigtes Ventil zum Abschalten der einzelnen Kompressoren für Notfälle.
5. Explosive und leicht entzündliche Substanzen wie Lösungsmitteldämpfe, Kohlenstaub etc. dürfen keinesfalls in die Atmosphäre freigesetzt werden.
6. Sorgen Sie für ungehinderten Zugang zum Druckluftschlauch vom Kompressor. Der Schlauch sollte nicht verdeckt sein und es dürfen keine brennbaren Materialien in unmittelbarer Nähe gelagert werden.
7. Druckluftschläuche dürfen nicht gequetscht oder verformt werden.
8. Lüftungsöffnungen von Anlagen dürfen nicht abgedeckt werden. Achten Sie darauf, dass das Gebäude gut belüftet ist.
9. Bei Verwendung einer Fernsteuerung muss folgende Warnung gut sichtbar und lesbar am Gerät vorhanden sein: „**ACHTUNG:** Diese Maschine ist ferngesteuert und kann ohne Vorwarnung anlaufen!“ Ein Bediener, der das Gerät fernsteuert, muss sicherstellen, dass zu dem Zeitpunkt keine Montage- oder anderen Arbeiten an der Anlage durchgeführt werden. Wurde das Gerät per Fernsteuerung abgeschaltet, muss der Bediener sicherstellen, dass das Gerät auch tatsächlich ausgeschaltet ist!
10. Anlagen müssen geerdet sein. Kurzschlusschutzvorrichtungen müssen vorhanden sein. Der Not-Aus-Taster muss sich in unmittelbarer Nähe des Geräts befinden und gegen unberechtigte Inbetriebnahme schützen.



Der Benutzer trägt die volle Verantwortung für den ordnungsgemäßen Betrieb des in der Anlage vorhandenen Elektromotors. Anlagen sind nur mit entsprechenden Schutzvorrichtungen zu betreiben.

Die Schutzvorrichtungen müssen den Elektromotor vor Kurzschlüssen, Überlast (systematisch und bei der Inbetriebnahme) und Phasenausfall schützen.

Die Montage von Schutzvorrichtungen liegt in der Verantwortung des Benutzers.

11. Bei Geräten mit einem unabhängigen Steuersystem mit automatischer Neustartfunktion muss neben dem Bedienfeld folgender Hinweis stehen: „**ACHTUNG:** Diese Maschine kann ohne Vorwarnung anlaufen!“

12. Sämtliche Tanks und Behälter, die unter Druck stehen, müssen mit Sicherheitsventilen ausgestattet sein! Die unerlaubte Montage, Demontage oder Verstellung der vorhandenen Sicherheitsventile ist nicht gestattet.

1.4 Sicherheitshinweise für den Betrieb



Der Benutzer trägt die volle Verantwortung für Verletzungen oder Schäden, die während der Montage, des Betriebs, der Wartung sowie aufgrund von unberechtigter Nutzung der Anlage auftreten..

1. Stellen Sie sicher, dass die verwendeten Schläuche hinsichtlich Durchmesser und Betriebsdruck für die jeweiligen Geräte geeignet sind. Überprüfen Sie die einzelnen Schlauchanschlüsse vor der Inbetriebnahme auf festen Sitz. Eine lose Schlauchverbindung kann schwere Verletzungen verursachen.

2. Anlagen niemals einschalten, wenn leicht entzündliche Luftverunreinigungen vermutet werden.

3. Der Bediener, der das Gerät fernsteuert, muss sicherstellen, dass zu dem Zeitpunkt keine Montage- oder anderen Arbeiten an der Anlage durchgeführt werden. Folgender Warnhinweis muss gut sichtbar am Gerät angebracht sein: „**ACHTUNG:** Diese Maschine ist ferngesteuert und kann ohne Vorwarnung anlaufen!“

4. Das Gerät darf keinesfalls bei Müdigkeit sowie nach dem Konsum von Alkohol, Drogen oder Medikamenten, die die Reaktionszeit reduzieren, verwendet werden.

5. Das Gerät darf nicht betrieben werden, wenn Teile des Gehäuses entfernt wurden. Türen oder Abdeckungen dürfen zu Prüfzwecken und für geplante Kontrollen kurzzeitig geöffnet werden. Gehörschutz wird dringend empfohlen.



Bei manchen Geräten können offene Türen oder fehlende Abdeckungen während des Betriebs zu Überhitzung führen.

6. Bei Arbeiten unter Betriebsbedingungen oder in Gebäuden, in denen der Schalldruckpegel 90 dB (A) oder mehr erreicht, muss Gehörschutz getragen werden.
7. Wird beim Heizen des Gebäudes Druckluft zur Anlagenkühlung verwendet, muss die Luft gefiltert werden, damit sie zum Atmen geeignet ist.
8. Folgende Punkte sind regelmäßig zu kontrollieren:

- Vorhandensein von Sicherheitsvorrichtungen und -geräten;
- Zustand und Dichtigkeit sämtlicher Schläuche und Rohrleitungen;
- Lecks;
- Festigkeit von Halterungen und Strukturbauteilen;
- Zustand und Sicherheit der elektrischen Leitungen und Kontakte;
- Funktionstüchtigkeit und Sauberkeit von Sicherheitsvorrichtungen;
- Funktionstüchtigkeit von Strukturbauteilen und Anzeichen von Verschleiß;

1.5 Sicherheitshinweise für die Wartung und Reparatur



Der Benutzer trägt die volle Verantwortung für Verletzungen oder Schäden, die während der Montage, des Betriebs, der Wartung sowie aufgrund von unberechtigter Nutzung der Anlage auftreten..

1. Es sind ausschließlich original Ersatz- und Austauschteile zugelassen. Die Verwendung von Ersatzteilen anderer Hersteller kann zu unvorhersehbaren Ergebnissen und somit zu Unfällen führen.
2. Bei Montage- und Reparaturarbeiten ist stets eine Schutzbrille zu tragen!
3. Vor dem Anschließen oder Trennen von Geräten sind diese vom Hauptdruckluftsystem zu trennen. Stellen Sie sicher, dass die Schläuche nicht unter Druck stehen!
4. Vor Beginn von Montagearbeiten oder sonstigen Arbeiten muss sichergestellt werden, dass die Anlage nicht unter Druck steht. Es dürfen niemals Montagearbeiten an Anlagen, die unter Druck stehen, durchgeführt werden.
5. Sämtliche Wartungsarbeiten dürfen erst ausgeführt werden, wenn die Bauteile auf Raumtemperatur abgekühlt sind.
6. Verwenden Sie niemals leicht entzündliche Lösungsmittel oder Tetrachlormethan zur Reinigung von Strukturbauteilen. Treffen Sie entsprechende Vorkehrungen gegen giftige Dämpfe von Reinigungsmitteln.
7. Während Montage- und Reparaturarbeiten sollte ein Hinweisschild am Bedienfeld angebracht sein, das vor unbefugtem Einschalten warnt. Beispiel: „Nicht einschalten. Gefahr für Bedienpersonal!“
8. Der Bediener, der das Gerät fernsteuert, muss sicherstellen, dass zu dem Zeitpunkt keine Montage- oder anderen Arbeiten an der Anlage durchgeführt werden. Folgender Warnhinweis muss gut sichtbar am Gerät angebracht sein: Siehe 1.3.9.
9. Halten Sie das Gebäude, in dem das Gerät steht, sauber. Schließen Sie offene Zu- und Abläufe während der Montage mit trockenen Lappen oder Papier, um zu verhindern, dass Schmutz in die Anlage gelangt.

10. Schweißarbeiten oder ähnliche Arbeiten dürfen nicht in unmittelbarer Nähe von Anlagen und Behältern, die unter Druck stehen, durchgeführt werden.

11. Schalten Sie die Anlage bei Verdacht auf Überhitzung, Entzündung sowie in anderen Notsituationen umgehend aus. Schalten Sie die Anlage sofort stromlos. Öffnen Sie Türen der Anlage erst, wenn sie sich auf Raumtemperatur abgekühlt hat, um Verbrennungen oder Verletzungen zu vermeiden.

12. Offene Flammen dürfen nicht als Lichtquelle für Inspektionen und Kontrollen der Anlage genutzt werden.

13. Verwenden Sie niemals ätzende Lösungsmittel, die Materialien im Druckluftsystem beschädigen könnten.

14. Stellen Sie nach Montagearbeiten oder anderen Arbeiten sicher, dass keine Werkzeuge, Lappen oder Ersatzteile im Gerät zurückgelassen wurden.

15. Achten Sie besonders auf die Sicherheitsventile. Kontrollieren Sie sie gründlich und entfernen Sie Staub und Schmutz. Ihre Funktion darf unter keinen Umständen beeinträchtigt sein. Denken Sie immer daran, dass Ihre Sicherheit von ihrer Funktionstüchtigkeit abhängt!

16. Stellen Sie nach Wartungs- oder Reparaturarbeiten und vor Beginn des Betriebs im normalen Modus sicher, dass der Betriebsdruck, die Temperatur und andere Werte richtig eingestellt sind. Stellen Sie sicher, dass alle Steuergeräte installiert sind und einwandfrei funktionieren.

17. Wischen Sie beim Wechsel von Filtern, Abscheidern usw. Staub-, Schmutz- und Ölablagerungen an der jeweiligen Stelle mit einem trockenen Tuch ab.

18. Schützen Sie Motor, Luftfilter, elektrische Komponenten, Steuerkomponenten usw. vor Kontakt mit dem Kondensat. Blasen Sie sie zum Beispiel mit trockener Luft ab.

19. Sicherheitshinweise für den Umgang mit Kältemittel:

- Niemals Kältemitteldämpfe einatmen. Stellen Sie sicher, dass der Arbeitsbereich gut belüftet ist. Bei Bedarf Atemschutz tragen.
- Tragen Sie immer Spezialhandschuhe. Wenn Kältemittel mit der Haut in Kontakt kommt, spülen Sie die betroffene Stelle mit reichlich Wasser ab. Wenn Kältemittel durch Kleidung hindurch mit der Haut in Kontakt kommt, versuchen Sie nicht, die Kleidung zu entfernen. Spülen Sie die Kleidung stattdessen gründlich mit klarem Wasser aus, bis das Kühlmittel ausgewaschen wurde. Suchen Sie anschließend einen Arzt auf.

20. Tragen Sie bei Montage- und Reparaturarbeiten (wie z. B. bei einem Ölwechsel) Schutzhandschuhe, um Verbrennungen und Verletzungen zu vermeiden.

2. Technische Daten und Funktionsbeschreibung



Die Garantie im festgelegten Zeitraum erlischt wenn:

- Der Gewährleistungsschein des Kompressors nicht vorhanden ist, oder wenn er fehlerhaft ausgefüllt ist.
- Wenn die Wartungsarbeiten nicht ordnungsgemäß im Servicebuch vermerkt sind.
- Wenn bei Reparaturen keine Comprag-Originalteile oder Schmiermittel benutzt werden.

2.1 Technische Daten

Article	Model	Drive power, compressor (kW)	Max. operating pressure (bar)	Output (m ³ /min)	Rated voltage, compressor (phase/V/Hz)	Noise (dB)	Screw connection	Oil capacity, liter
11410701	F3008	30	8	4,7	3/400/50	70	1-1/4	15
11410702	F3010		10	4,0				
11410703	F3013		13	3,5				
11410711	F3708	37	8	5,9		72		
11410712	F3710		10	5,1				
11410713	F3713		13	4,4				
11410801	F4508	45	8	7,0		73	1-1/2	20
11410802	F4510		10	6,2				
11410803	F4513		13	5,3				
11410811	F5508	55	8	8,7				
11410812	F5510		10	7,7				
11410813	F5513		13	6,5				

2.2 Allgemeine Beschreibung

Die Schraubenkompressoren der F Serie sind für die kontinuierliche und effiziente Druckluftzeugung konzipiert.

Die F-Serie sind ölgefüllte Schraubenkompressoren mit Riemenantrieb und elektronischer Steuerung. Die stabile Konstruktion ist umschlossen von einem Geräusch isolierenden Gehäuse, ausgestattet mit dem Kontrollpanel i-Log (LCD Display), Start/Stop-Schalter und einem Not-Aus-Taster. Für die Systemüberwachung werden Temperatur und Druckrelais eingesetzt.

2.3 Ablaufdiagramm und Hauptkomponenten

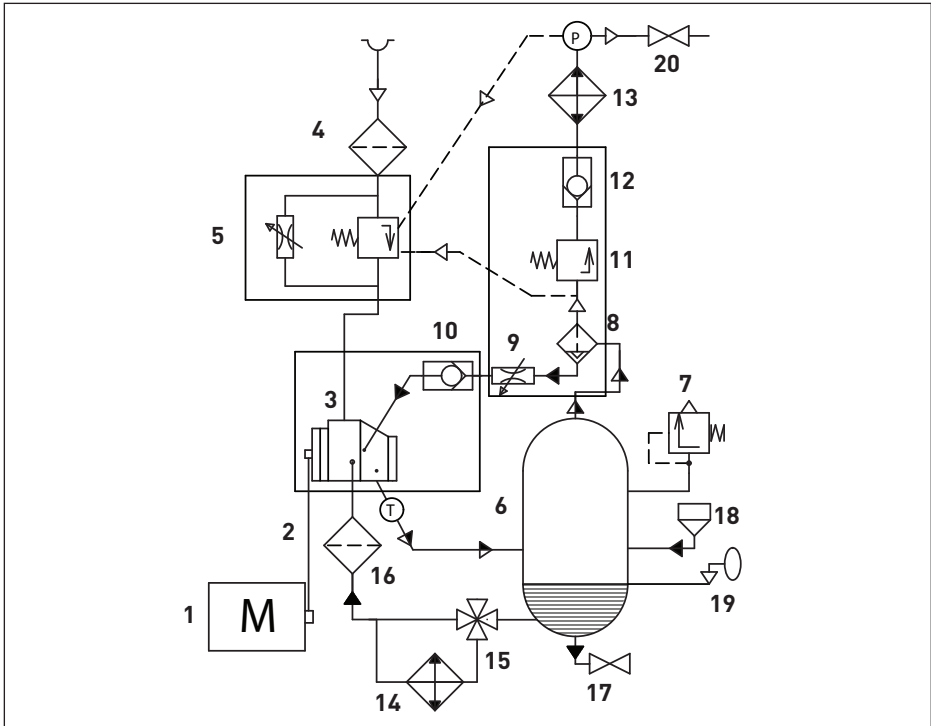


Bild 2.3 Ablaufdiagramm F30–F55

—▷—	Luftfluß	⊙ T	Temperaturfühler
—▶—	Ölfluß	⊙ P	Drucksensor
—▷▶—	Luft/Öl Gemisch	—▷—	Pneumatische Steuerleitung

2.4 Funktionsbeschreibung

Luftkreislauf:

Die Luft strömt durch den Luftfilter (4), öffnet das Einlassventil (5) und strömt weiter in den Schraubenblock (3) des Kompressors, wo sie komprimiert wird.

Das Gemisch aus komprimierter Luft und Öl wird in den Luft-/Ölabscheidetank (6) geleitet. Danach über das Mindestdruckventil (11) durch den Wärmeaustauscher (13) zum Ablassventil abgeführt (20).

Ölkreislauf:

Die Druckluft zwingt das Öl aus dem Luft-/Ölabscheidetank (6) durch den Wärmeaustauscher (14) und den Ölfilter (16) zum Schraubenblock (3) und den Schmierstellen. Im Luft-/Ölabscheidetank (6) wird das meiste Öl abgeschieden, der Rest wird im Luft-/Ölabscheider entfernt (8).

Das Ölflusssystem ist mit einem thermostatischen Ventil (15) ausgestattet. Wenn die Öltemperatur unter dem Sollwert des Thermostatventils, trennt es die Ölversorgung vom Wärmeaustauscher (14). Das Thermostatventil öffnet die Zufuhr vom Wärmeaustauscher (14) wenn die Öltemperatur die voreingestellte Temperatur erreicht hat. Die Voreinstellungen sind Modellabhängig. Siehe auch Tabelle Technische Daten.

Kühlsystem:

Das Kühlsystem ist ein kombinierter Kühler bestehend aus einer Luft- (13) und Ölteil (14). Die Belüftung erfolgt bei einem Lüfter mit separatem Elektromotor.

2.5 Pneumatikplan Last- Leerlauf

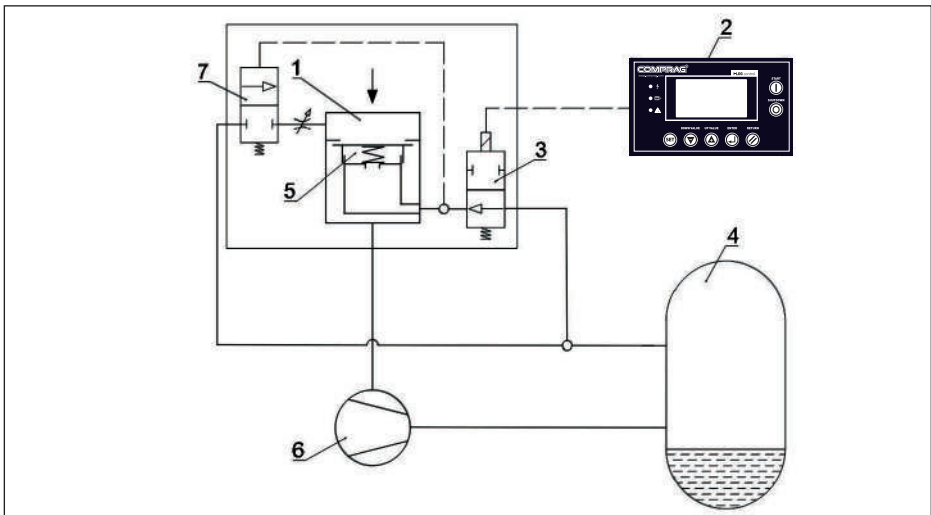


Bild 2.5 Pneumatikplan

Die Anlage wird von einer elektronischen Steuerung e-Log (4) gesteuert, die den Netzdruck durch die Leer- Lastlaufregelung innerhalb der eingestellten Parameter regelt.

Leerlauf und Stillstand:

Wenn der Druckluftverbrauch geringer ist als die Kompressorliefermenge, steigt Druck und erreicht das eingestellte Maximum (Ausschaltdruck). Die Steuerung (2) unterbricht die gibt Spannung zum Magnetventil (3), das Ventil öffnet, durch den Druck Im Ölabscheidebehälter (4) schließt der Schieber (5) des Ansaugventils (1).

Das pneumatische System des Kompressors wird über eine Drossel entlastet.

Lastlauf:

Wenn der Druck im Netz auf ein eingestelltes Minimum (Einschaltdruck) schaltet die Steuerung die Spannung zum Magnetventil (3).Die Steuerluftleitung zwischen Ölabscheidebehälter und Ansaugventil wird unterbrochen.

Der Schieber (5) des Einlassventils (1) öffnet. Die Drossel wird gesperrt. Der Kompressor liefert wieder Druckluft.

2.6 Elektro-Schaltplan

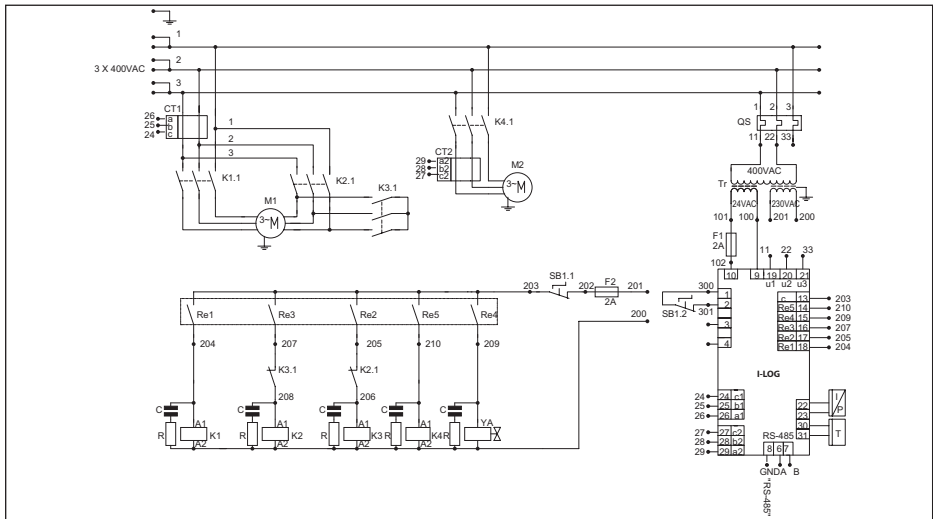


Bild 2.6 Elektro-Schaltplan F30-F55

Hauptkomponenten

K1---K4	Schütz	YA	Elektromagnetventil
M1, M2	Elektromotor	QS	Automatischer Leistungsumschalter
T	Temperatursensor	CT1, CT2	Stromwandler
I/P	Drucksensor	R,C	RC-Glied
SB	Not-Aus	Tr	Transformator
F1, F2	Sicherung	i-LOG	Steuerung

2.7 Elektrische Anschlusswerte

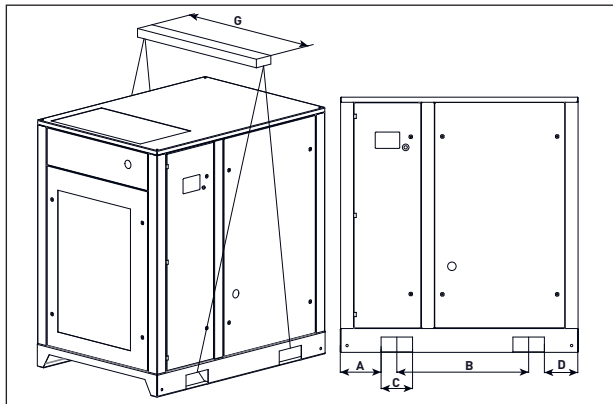
Spannung (V)	Frequenz (Hz)	F30..	F37..	F45..	F55..
Material - Kupfer. Kabelquerschnitt (mm ²)					
380 / 400	50	16	25	35	50
Sicherung (A)					
380 / 400	50	63	80	100	125
Motorüberlastrelais (A)					
380 / 400	50	31,8	38,1	46,2	56

3. Inbetriebnahme

3.1 Transport



Alle Transportvorgänge sollten mit einem Gabelstapler, dessen Traglast für das Gewicht Ihres Kompressors ausgelegt ist durchgeführt werden. Hebevorgänge können auch mit Kran, Seilwinden oder anderen Hebezeugen, mit Verwendung von Transporttraversen der richtigen Länge ausgeführt werden. Beachten Sie die örtlichen Sicherheitsvorschriften.



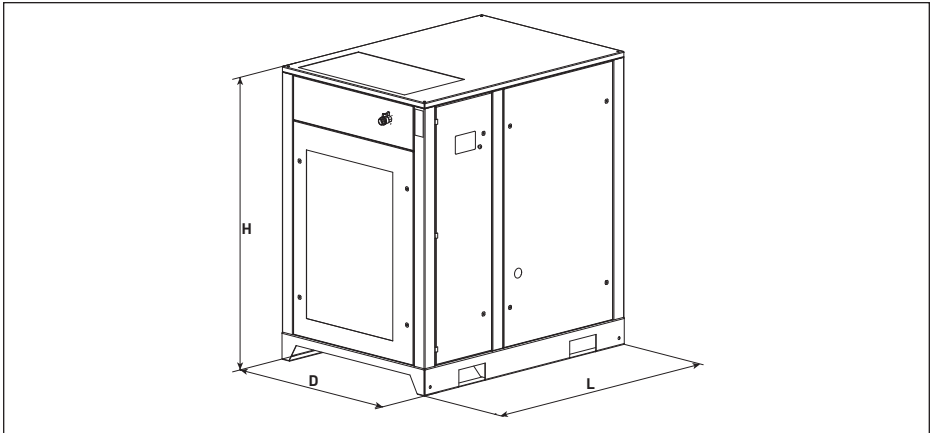
Für den Transport mit dem Gabelstapler, nutzen Sie die Transportlänglöcher im Gestell. Der Kompressor hat Transportlänglöcher mit einer Breite von C – Bild 5. Bewegen Sie den Kompressor vorsichtig.

Bild 3.1 Heben und Transportieren F30-F55

Modell	A, mm	B, mm	C, mm	D, mm	G, mm
F30	332	775	185	292	1200
F37				150	1300
F45	540				
F55					

3.2 Abmessungen

Bild 3.2 Abmessungen F30-F55



Modell	Hauptabmessungen Kompressor				Hauptabmessungen Verpackung			
	Länge L, mm	Breite D, mm	Höhe H, mm	Weight, kg	Länge L, mm	Breite D, mm	Höhe H, mm	Weight, kg
F30	1400	1000	1500	705	1600	1100	1750	777
F37				745				830
F45	1650	1100	1730	950	1850	1200	1860	1165
F55				1150				1194

3.3 Requirements on installation facility

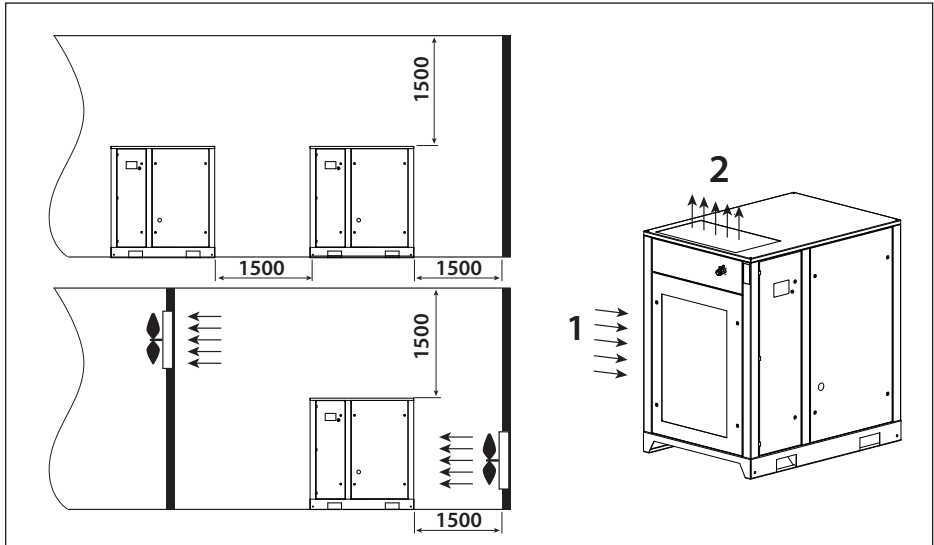


Bild 3.3 Installationsvorschlag F30-F55

1. Luftansaugung
2. Luftablas

Versichern Sie sich, dass der Untergrund im Arbeitsumfeld des Kompressors für das Komplettgewicht der Druckluftanlage ausgelegt ist.

Justieren Sie die horizontale Achse des Kompressors mit Hilfe eines Nivellierinstruments. Wenn der Kompressor nicht mit dem Untergrund verankert ist, darf der Winkel zur horizontalen Ebene des Untergrundes nicht mehr als 3° betragen. Wenn der Kompressor mit dem Untergrund verankert ist, dürfen 7° nicht überschritten werden.

Montieren Sie den Kompressor mindestens 1,5 m von den Wänden entfernt.

Wenn mehrere Kompressoren montiert werden, halten Sie einen Minimumabstand von 1,5 m von Kompressor zu Kompressor ein.

Zwischen Kompressor und Druckluftzubehör sollten 4 m Sicherheitsabstand gelassen werden. Der Standort des Kompressors muss mit einem kombinierten Be- und Entlüftungssystem ausgestattet werden.



Am Standort des Kompressors, sollte ein doppelt so großer Luftmenge, wie der vom Hersteller angegebene Luftvolumenstrom zur Verfügung stehen.

Das Volumen der Absaugung darf maximal 40% des Luftvolumenstroms der Belüftung am Einsatzort des Kompressors betragen.

Die Temperatur am Einsatzort des Kompressors darf nicht unter 5+ °C fallen

Benutzen Sie einen Lüftungskanal /Schlauch um die heiße Abluft des Kompressors abzuleiten. Er sollte bis zu 3m lang und mit einem 20% größeren Querschnitt als der Abgang am Kältetrockner sein. Wenn Sie einen länger als 3 Meter langen Lüftungskanal /Schlauch verwenden, müssen Sie zusätzliche Lüfter anbringen.

3.4 Anbindung an die Druckluftleitung

Sorgen Sie dafür, dass die Durchsatzkapazität der Druckluftlinie mit der Leistung des Kompressors übereinstimmt .

Verbinden Sie den Kompressor mit flexiblen Schläuchen um Dichtigkeitsschäden in der Druckluftleitung zu vermeiden.

Alle Komponenten der Druckluftlinie müssen einen Betriebsdruck haben, der den Nenn- druck des Kompressors nicht überschreitet.

Benutzen Sie einen Druckluftkessel mit einem passenden Volumen zu der Leistung des Kompressors und der Endverbraucher.

3.5 Anbindung an das Stromnetz

Das Stromkabel ist im Lieferumfang nicht enthalten.

Der Kompressor wird ohne Stromkabel geliefert.

Die Kabelgröße muss so gewählt werden, dass der maximale Spannungsverlust weniger als 5% beträgt.

Die Kabellänge darf 25 Meter nicht überschreiten.

Raumtemperatur muss unter 40 °C liegen.

Das Kabel muss eine Feuerfeste Ummantelung haben.

Es muss ein Not-Aus-Schalter in Reichweite des Kompressors vorhanden sein, um die Stromverbindung notfalls zu trennen.



Der Kompressor muss in jeder Phase geerdet und geschützt sein, um Kurzschlüsse und andere Fehler zu vermeiden.

Das Stromkabel muss am Kompressor angeschlossen werden.

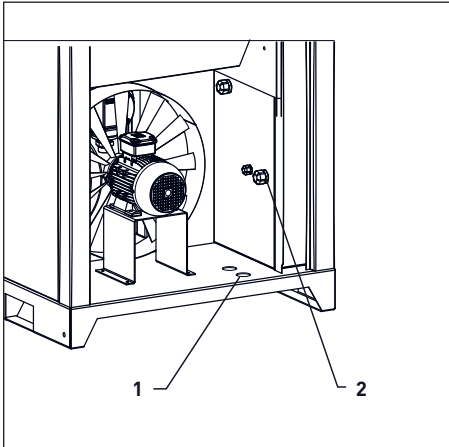


Bild 3.5.1 Stromkabelverbindung

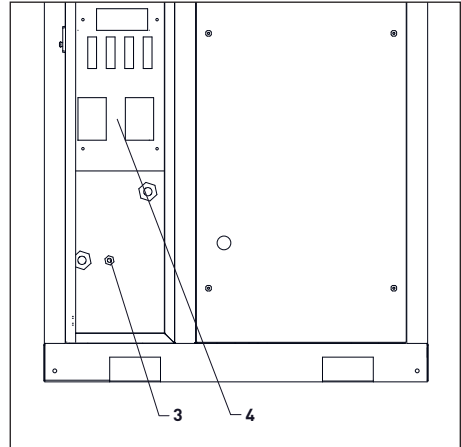


Bild 3.5.2 Stromkabel Klemmverbindungen

Entfernen Sie das rechte Seitenpanel, führen Sie das Stromkabel durch Öffnung (1) und in Steckplatz (2).

Verbinden Sie das Stromkabel mit Klemmplatz (4).

Die Erdungsader des Stromkabels muss mit dem Erdungsbolzen (3) verbunden werden.

4. Betrieb



Der Kompressor darf nur von qualifiziertem Personal bedient werden,

4.1 Steuerung und Bedienfeld

Die frequenzgeregelten Kompressoren F30 bis F90 sind mit einer elektronischen Steuerung i-Log ausgestattet. Die elektronische Steuerung i-Log hält den Netzdruck zwischen den programmierbaren Grenzwerten, indem die Drehzahl des Kompressors automatisch angepasst wird. Des Weiteren werden Betriebsdaten wie Betriebszeiten und Systemzustände erfasst.

4.1.1 Bedienfeld



Bild 4.1.1 Bedienfeld i-Log

	Kompressor starten		Auf oder Wert erhöhen
	Kompressor stoppen		Ab oder Wert senken
	Zurück zum Hauptmenü		Vorgabe speichern
	Wert übernehmen / Manuell schalten Last-/Leerlauf		

4.1.2 LED-Anzeigen

	Betriebsanzeige (rot): Die Anzeige leuchtet auf, wenn die Steuerung eingeschaltet ist und die Stromversorgung ist angeschlossen.
	Betriebsanzeige (grün): Die Anzeige leuchtet auf, wenn der Motor läuft.
	Alarm-/Fehleranzeige (rot) Alarm (Warnung): Die Anzeige blinkt, die Maschine läuft weiter. Fehler: Die Anzeige leuchtet permanent, begleitet von einem Tonsignal, die Maschine schaltet ab. Die Fehlermeldung kann quittiert werden nachdem die Fehlerursache behoben wurde. Um die Fehlermeldung zu quittieren, drücken und halten Sie die Taste "Zurück zum Hauptmenü".

LCD Anzeige.

Nach dem Einschalten zeigt das LCD-Display folgendes an:

COMPRAG DRUCK-
LUFTKOMPRESSOR
COMPRAG SCREW
AIR COMPRESSOR

Nach 5 Sekunden werden die laufenden Hauptparameter angezeigt:

21 °C	0.00HZ
0.0BAR	ORPM
STOP	
CO1	LOCAL

Hauptmenue

Klicken Sie ,  und  um das Auswahlmenü aufzurufen:


ARBEITS PARAMET	Beinhaltet laufende Werte, (offen zur Ansicht)
BENUTZ. PARAM	Beinhaltet Betriebseinstellungen der Hauptparameter(offen zur Ansicht, Änderungen passwortgeschützt)
WERKSEINTELLUG	Für Servicebetrieb Ansicht mit Passort, Änderung nur beim Hersteller möglich.
EINSEL. PARAM	Grundeinstellungen und Wartungsstundenzähler (passwortgeschützt)

Beschreibung der Parameter. Arbeitsparameter:

Wählen Sie den Arbeitsparameter durch die Auf-  und Ab-  Tasten und Eingabe . Es werden aktuelle Werte angezeigt.

M1 & LÜFT STROM
GESAMT EIN-ZEIT
AKTUAL EIN-ZEIT
WARTUNG PARAM

FEHLERVERLAUF
SERIENNUMMER
AKTUAL FEHLER
KOM. STATUS

Die weiteren Menüs sind vergleichbar aufgebaut. Wählen Sie die Zeile „M1 & LÜFT STROM“ und drücken Sie .

M1(A) LÜFTER(A)	Phasenstrom von Hauptmotor und Lüftermotor
A: 000.0 000.0	
B: 0.0 0.0	
C: 0.0 0.0	
GESAMT EIN-ZEIT	
GESAMT EIN-ZEIT:	Gesamtbetriebsstunden
GESAMT LASTLAUF:	Gesamtlaststunden
AKTUAL EIN-ZEIT	
AKTUAL EIN-ZEIT:	Betriebsstunden seit letztem Start.
AKTUAL LASTLAUF:	Aktuelle Zeit im Lastlauf

WARTUNG PARAM

IM BETRIEB (h)	Betriebsstunden
ÖLFILTER:	Betriebsstunden
SEPARATOR:	Betriebsstunden
LUFTFILTER:	Betriebsstunden
ÖL:	Betriebsstunden
SCHMIER M1:	Betriebsstunden
RIEMEN:	Betriebsstunden

FEHLERVERLAUF

FEHLERVERLAUF	Die letzten 5 Fehler (siehe unten).
---------------	-------------------------------------

AKTUAL FEHLER

AKTUAL FEHLER	aktueller Fehler (siehe unten).
---------------	---------------------------------

KOM. STATUS

KOM. STATUS:	Diese Funktion wird nicht genutzt.
--------------	------------------------------------

Wenn im aktuellen Menü 60 Sekunden lang keine Aktion ausgeführt wird, kehrt die Steuerung automatisch zum Hauptmenü zurück.

Beschreibung der Parameter. Benutzerparameter:

Die Inhalte dieses Menüpunktes können angezeigt werden, sind jedoch durch ein Passwort vor Änderungen geschützt. Änderungen dürfen nur durch geschultes Fachpersonal durchgeführt werden.

Wählen Sie den Benutzer-Parameter durch die Auf-  und Ab-  Tasten und Eingabe .

PRES/TEMP SET
TIME SET
OPERATION MODE
SEQ PARAM SET

RST MAINT TIME
MAX RUN TIME
LANG. EN/DE/RU
USER PIN: --.

Wählen Sie den Arbeitsparameter durch die Auf-  und Ab-  Tasten und Eingabe .

(Die dargestellten Werte sind für einen Kompressor 8 bar.)

P LAST: --. bar	Einschaltdruck
P LEER: --. bar	Ausschaltdruck
LÜFT. EIN:0095 °C	Einschalttemperatur Lüfter
LÜFT. AUS:0060 °C	Ausschalttemperatur Lüfter

Zeiteinstellungen

M1 START: 0008s	Auslöseverzögerung Motor
LÜFT START:0002s	Auslöseverzögerung Lüfter
STAR VERZ: 0006s	Stern-Dreieck-Schaltzeit
LAST VERZ: 0002s	Verzögerungszeit beim Öffnen des Saugventils
LEER VERZ: 0300s	Leerlaufzeit. Hauptmotor läuft, Saugventil geschlossen
STOP VERZ: 0010s	Verzögerungszeit zum Stoppen des Motors über den Ausschalter
START VERZ:00060s	Nach abschalten ist ein neuer Start erst nach Zeit möglich

Wartungszähler zurücksetzen

ÖLFILTER: --.-h	Hier wird nach der Wartung der Zähler auf „0“ gesetzt.
SEPARATOR: --.-h	Hier wird nach der Wartung der Zähler auf „0“ gesetzt.
LUFTFILTER: --.-h	Hier wird nach der Wartung der Zähler auf „0“ gesetzt.
ÖL: --.-h	Hier wird nach der Wartung der Zähler auf „0“ gesetzt.
SCHMIER M1: --.-h	Hier wird nach der Wartung der Zähler auf „0“ gesetzt.
RIEMEN : --.-h	Hier wird nach der Wartung der Zähler auf „0“ gesetzt.

Wartungsintervall einstellen

ÖLFILTER: 500 h	Hier wird der Wartungsintervall eingestellt
SEPARATOR: 4000 h	Hier wird der Wartungsintervall eingestellt
LUFTFILTER: 2000 h	Hier wird der Wartungsintervall eingestellt
ÖL: 500 h	Hier wird der Wartungsintervall eingestellt
SCHMIER M1: 4000 h	Hier wird der Wartungsintervall eingestellt
RIEMEN : 4000 h	Hier wird der Wartungsintervall eingestellt

SPRACHE

SPRACHE: EN/DE/RU	Sprachauswahl
-------------------	---------------

Passwort

BENUTZ. PIN:	**** nicht ändern ****
--------------	------------------------

Wenn im aktuellen Menü 60 Sekunden lang keine Aktion ausgeführt wird, kehrt die Steuerung automatisch zum Hauptmenü zurück.

4.1.3 Fehlerbeschreibung

Alarm (Warnung): Die Anzeige blinkt, die Maschine läuft weiter. Fehler: Die Anzeige leuchtet permanent, begleitet von einem Tonsignal, die Maschine schaltet ab. Die Fehlermeldung kann quitiert werden nachdem die Fehlerursache behoben wurde. Um die Fehlermeldung zu quittieren, drücken und halten Sie die Taste "Zurück zum Hauptmenü".

Alarm (Kompressor läuft weiter)

ALARM: ÖLFILTER	Wartungsintervall überschritten
ALARM: SEPARATOR	Wartungsintervall überschritten
ALARM: LUFTFILTER	Wartungsintervall überschritten
ALARM: ÖLWECHSEL	Wartungsintervall überschritten
ALARM: SCHMIER M 1	Wartungsintervall überschritten
ALARM: RIEMEN	Wartungsintervall überschritten
ALARM: T --., °C	Verdichterendtemperatur hoch
STOP:T NIEDRIG --., °C	Die Umgebungstemperatur ist zu niedriger. Der Kompressorstart ist gesperrt.

Alarmer zur Wartung werden bei eingestellter Zeit vor der Wartung ausgelöst. Bei überzogenem Wartungsintervall wird die Alarmmeldung periodisch wiederholt angezeigt.

Fehlermeldungen (Kompressor stoppt bzw. Startet nicht)

Die Steuerung speichert die letzten 5 Fehler.

STOP: M1 ÜBERLST --., A	Stromaufnahme Hauptmotor zu hoch
STOP: M1 KURZSCH --., A	Kurzschluss am Hauptmotor
STOP: LÜFT Ü-LST --., A	Stromaufnahme Lüftermotor zu hoch
STOP: LÜFT KURZS --., A	Kurzschluss am Lüftermotor
STOP: PH. FEHLT	Phasenfehler Hauptmotor
STOP: PHASE UNBL	Phasungleichgewicht am Hauptmotors zu groß
STOP: P HOCH --., bar	Zulässiger Betriebsdruck überschritten
STOP: LÜFT PHASE	Phasenfehler Lüftermotor
STOP: LÜFT UNBL	Phasungleichgewicht am Lüftermotors M1 zu groß
STOP: NOTAUS	Der Kompressor startet nicht. NOT-AUS-Taster gedrückt



Die weitere Benutzung ohne die Fehlerursache zu beheben ist nicht gestattet!

4.1.4 Gruppensteuerung und Netzwerkbetrieb

Gruppensteuerung.

Mit dem i-LOG-Controller können Sie über den RS485-Port mehrere Kompressoren vernetzen. Bis zu 16 Kompressoren können an das Netzwerk angeschlossen werden. Der Kompressor mit der Netzwerkadresse «0001» ist der „Master“, die übrigen Kompressoren sind die „Follower“.

Gruppensteuerung einstellen.

Wählen Sie im Hauptmenü „EINSTEL PARAM.“ und gehen Sie in das Untermenü „BETRIEBSMODUS“.

BERTR: FERN/LOKAL	Fern aktivieren
LAST: AUTO/MANUAL	Automatik
COM MODE: MODBUS	MODBUS
COM ADRESSE: 001	001 für Master

Im Menü „ARBEITSPARAMET“ zum Untermenü „SEQ PARAM SET“ gehen.

GRP:MAST/FOLLOWER	
GRP SCHALT: 0002H	Umschaltzeit zur Änderung der Arbeitsreihenfolge
GRP NUMMER	Nummer innerhalb der Gruppe
GRP LST: 5.2 BAR	Einschaltzeit innerhalb der Gruppe
GRP LER: 8.0 BAR	Ausschaltzeit innerhalb der Gruppe
GRP VERZ: 0020s	Zuschaltverzögerung für den nächsten Kompressor der Gruppe

Starten Sie nach der Konfiguration dieser Daten den Controller neu, um die Aktualisierung durchzuführen.

Dann müssen Sie den Controller konfigurieren, der als „FOLLOWER“ fungiert. Stellen Sie hier ein „COM MODE: MODBUS“ und den Parameter „COM ADRESSE: 002“ (002 für den 1. Follower). Danach wählen Sie „ARBEITSPARAMET“ drücken Sie „Enter“ und wählen Sie dann „COMMUNIC“. STATUS drücken Sie „Enter“. Die Überwachung der Netzwerkaktivität ist in der folgenden Tabelle aufgeführt.

RX : _____
TX : _____

Übertragung / Empfang..

Vernetzung.

Der i-LOG-Controller unterstützt das MODBUS RTU-Protokoll.

5. Wartung

5.1 Wartungsplan

Wartungsplan

	Täglich	Monatlich	Jährlich	Wartungsintervalle (Arbeitsstunden)			
				M-1	M-2	M-3	M-2
				500	2000	4000	6000
Ölstand	Prüfen/ Nachfüllen						
Kompressoröl				Austauschen	Austauschen	Austauschen	Austauschen
Luftfilter*		Reinigen			Austauschen	Austauschen	Austauschen
Ölfilter				Austauschen	Austauschen	Austauschen	Austauschen
Luft-Öl Separator						Austauschen	
Antriebsriemen		Prüfen					
Wärmeaustauscher		Reinigen					
Lagerung Elektromotor			nachschmieren				
Einlassventil			Prüfen				
Mindestdruckventil			Prüfen				
Sicherheitsventil			Prüfen				

Wenn 6000 Betriebsstunden erreicht sind, sollte alternativ alle 2000 Stunden nach Plan M-2 oder M-3 gewartet werden. Tägliche, wöchentliche, monatliche und jährliche Wartungsarbeiten ersetzen nicht die zeitlich vorgegebenen Wartungsintervalle..

5.2 Prüfen des Ölstands

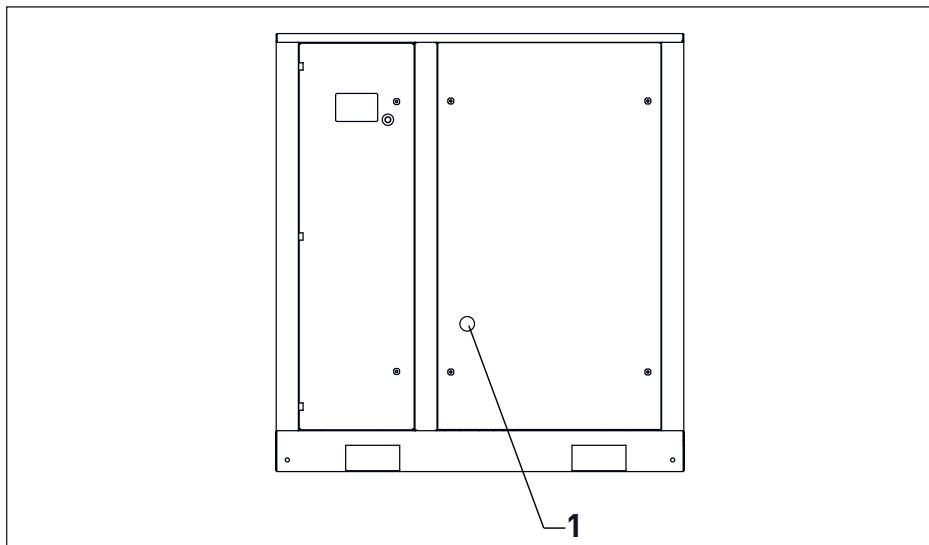
Kontrollieren Sie den Ölstand täglich. Um den Ölstand zu erreichen, stoppen Sie den Kompressor und entfernen Sie das Frontpanel.

Der Ölstand kann visuell am Ölstandsanzeiger (1) des Kompressors abgelesen werden, wenn dieser abgeschaltet ist.

Der Ölstand muss immer im Sichtglas zu erkennen sein.

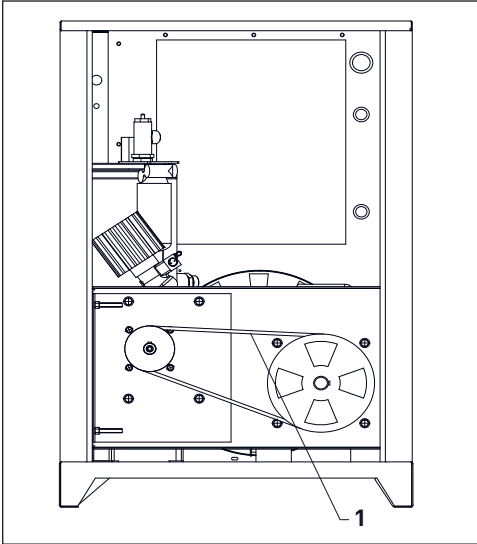
Wenn dies nicht der Fall ist, muss neues Öl nachgefüllt werden. Nutzen Sie ein Vorspannungsmessgerät, um die Spannkraft des Riemens zu prüfen.

Bild 5.2 Ölstandsüberwachung



5.3 Überprüfung des Antriebriemens

Überprüfen Sie täglich den Zustand und die Spannung des Antriebriemens.



Um den Riemen zu erreichen, stoppen Sie den Kompressor und entfernen Sie das rechte Seitenpanel. Überprüfen Sie die Riemen (1) auf Verschleiß, Ausfransungen und Risse. Wenn der Riemen beschädigt ist, muss er umgehend ersetzt werden.

Bild 5.3 Überprüfung des Antriebriemens

Nutzen Sie ein Vorspannungsmessgerät, um die Spannkraft des Riemens zu prüfen.

Modell	Maximaler Betriebsdruck, bar	Spannkraft F, N
F30	8	350
	10	350
	13	350
F37	8	400
	10	400
	13	400
F45	8	450
	10	450
	13	450
F55	8	650
	10	650
	13	650

5.4 Austausch des Öls und der Ölfilter

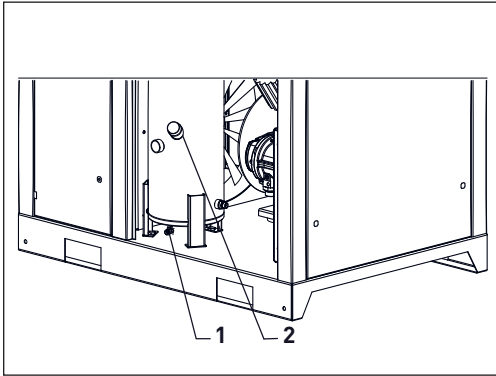


Bild 5.4.1 Austausch des Öls

Öffnen Sie das Frontpanel und drehen Sie den Stopfen des Einfüllstutzens (2) eine Umdrehung im Uhrzeigersinn, um den Systemdruck zu entlüften. Jetzt können Sie den Stopfen entfernen. Auch den Stopfen des Ablassventils (1) im Boden des Luft-/Ölabscheidentanks müssen Sie entfernen. Lassen Sie das Öl in einen separaten Behälter ab, nachdem Sie das Ablassventil geöffnet haben. Befüllen Sie nun den Luft-/Ölabscheidentank erneut, bis der Ölstandsanzeiger mittig im Sichtglas mit Öl gefüllt ist. Befestigen Sie die Stopfen wieder an ihren ursprünglichen Positionen.

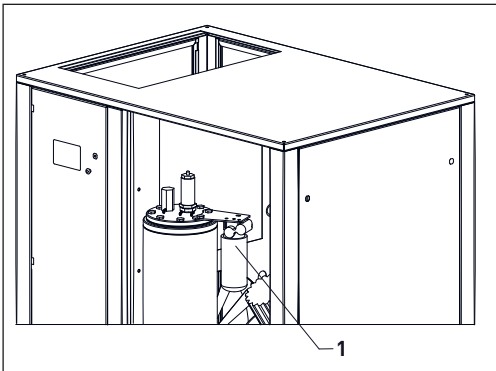
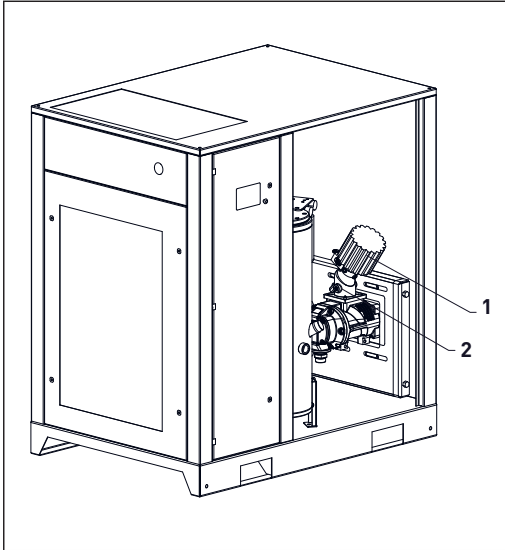


Bild 5.4.2 Austausch des Ölfilters

Öffnen Sie das Frontpanel. Entfernen Sie den Ölfilter (1) mithilfe eines Ölfilterschraubenschlüssels. Lassen Sie das Öl in ein separates Behältnis ab und reinigen Sie den Filtersitz. Jetzt kann das Gewinde des neuen Filters geölt und per Hand eingeschraubt werden. Starten Sie den Kompressor, dann stoppen Sie ihn, und lassen ihn für mehrere Minuten im Leerlauf laufen, damit das Öl zirkulieren und die Luft aus dem System entfernt werden kann. Warten Sie einige Minuten, bis sich das Öl in den Leitungen gesetzt und sich der innere Druck reguliert hat. Wenn nötig, schrauben Sie den Einfüllstopfen auf und befüllen Sie, bis der Ölstandsanzeiger mittig im Sichtglas mit Öl gefüllt ist. Setzen Sie den Stopfen wieder an seiner ursprünglichen Position ein und ziehen Sie ihn wieder an.

5.5 Austausch des Luftfilters



Der Luftfilter (1) ist am Einlassventil des Kompressors angeordnet. Öffnen Sie das Frontpanel und entfernen Sie die Schelle (2). Sie können den verschmutzten Luftfilter und die Befestigungsschelle sicher demontieren. Nun setzen Sie den Filter ein und fixieren ihn erneut.

Bild 5.5 Austausch des Luftfilters

5.6 Wechsel des Antriebsriemens

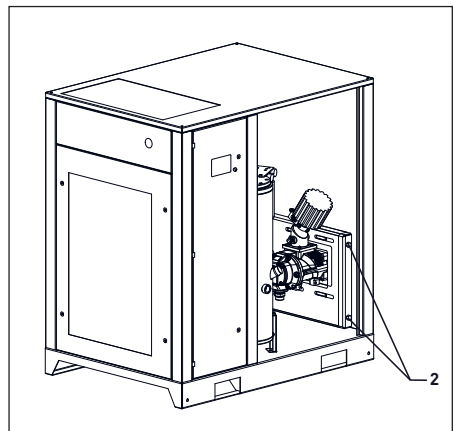
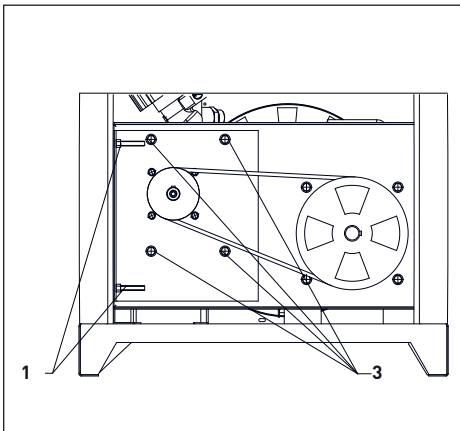
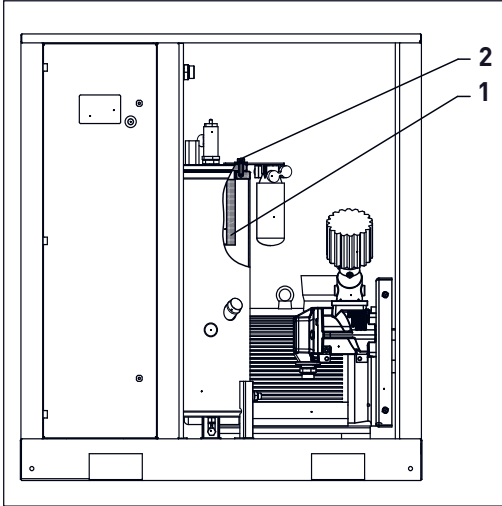


Bild 5.6 Wechsel des Antriebsriemens

Öffnen Sie das Frontpanel und das rechte Seitenpanel. Lösen Sie die 4 Schrauben (3), die die Konsole des Schraubenblocks schützen mit jeweils 2 Umdrehungen. Dann lösen Sie die 2 Bolzen des Motors (2) und die zugehörigen Muttern (1) an der Spannvorrichtung des Riemen mithilfe eines Schraubenschlüssels. Entfernen Sie die alten Riemen von der Riemenscheibe und

installieren Sie die neuen. Nach der Installation mit der richtigen Spannkraft (siehe Abschnitt 5.3, Überprüfung des Antriebsriemens) müssen die 2 Bolzen (2) die Muttern und die 4 Schrauben wieder angezogen werden. Prüfen Sie die Riemenspannung bei vier Betriebsstunden des Kompressors-mithilfe von Abschnitt 5.3.

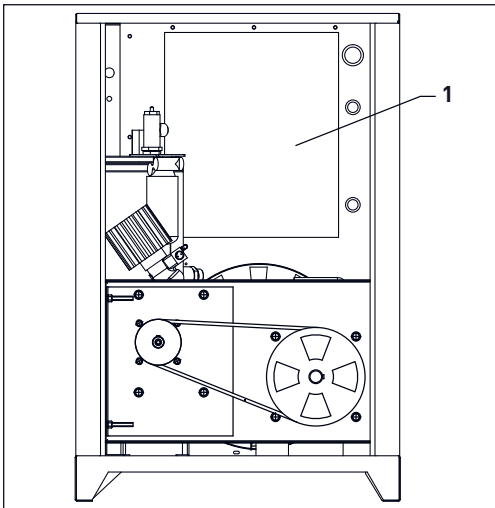
5.7 Austausch des Luft/Öl-Separators



Das Separatorbauteil (1) ist innerhalb des Separatorbehälters angeordnet. Öffnen Sie das Frontpanel, um es auszutauschen. Lösen Sie die Schrauben (2) und entfernen Sie sorgfältig den Deckel auf der Behälteroberseite. Lösen Sie dafür bei Bedarf einige Schlauchanschlüsse. Entfernen Sie den verbrauchten Separator und installieren an einen neuen. Montieren Sie den Behälterdeckel wieder vollständig.

Bild 5.7 Austausch des Luft/Öl-Separator

5.8 Wärmeaustauscher reinigen



Öffnen Sie das Frontpanel um den Wärmeaustauscher (1) zu erreichen. Reinigen Sie den Wärmeaustauscher regelmäßig um die Kühlfunktion optimal zu halten. Entfernen Sie Staub und Schmutz mit einer weichen Bürste, dann blasen Sie den Wärmeaustauscher von unten nach oben mit Druckluft ab. Die Düse sollte im 90° Winkel zu der Kompressorebene gehalten werden.

Fig. 5.8 Cleaning radiator

5.9 Kontrolle des Ansaugventils

Um das Ansaugventil zu erreichen, muss der Luftfilter wie in Abschnitt 5.5 entfernt werden. Öffnen Sie nun die Drosselklappe manuell um sicher zu gehen, dass es reibungslos und komplett geöffnet werden kann.

Falls die Drosselklappe blockiert, oder nicht ordnungsgemäß arbeitet, muss ein neues Ventil eingebaut werden.

5.10 Wartung der Lagerung am Elektromotor

Während der Kompressor in Gebrauch ist, müssen die Motorlager mit frischem viskosem Schmiermittel (für Wälzlager) gewartet werden.

Die Schmiermittel müssen mit einer speziellen Injektionsspritze für viskose Schmiermittel in die Lagerdeckel eingebracht werden.

Sie können die Ölmenge mit der folgenden Formel berechnen.

Überschmieren Sie die Lager nicht. Das überflüssige Öl wird sonst aus den Lagern in den laufenden Motor gequetscht.

$$D_{\text{motor shaft}}^2 \text{ (mm)} \times 0.005 = M_{\text{(lubricant mass)}} \text{ (g)}$$

Überschmieren Sie die Lager nicht. Das überflüssige Öl wird sonst aus den Lagern in den laufenden Motor gequetscht.

6. Fehlerbehebung

6.1 Fehlerbeschreibung und Fehlerbehebung

Problem	Mögliche Fehler	Fehlerbehebung
Der Kompressor startet mit Verzögerung und die Motorgeschwindigkeit steigt sehr langsam	Der Riemen wurde überspannt	Tighten the belt with the relevant load
	Das Schmiermittel hat eine zu feste Konsistenz	Replace the oil
Es pfeift während des Betriebes	Der Schlupf des Riemens ist zu groß	Spannen Sie den Riemen nach (siehe auch 5.3 Überprüfung des Antriebsriemens)
Der Kompressor startet nicht und auf dem Display wird das Temperatursymbol angezeigt	Die Umgebungstemperatur differenziert sich von der geforderten Betriebstemperatur (unter +5 °C oder über +40 °C)	Sorgen Sie für eine Anpassung der Umgebungstemperatur

Der Kompressor überhitzt	Die Luftzirkulation im Gebäude ist zu gering	Steigerung der Luftzirkulation Im Gebäude
	Ölstand zu tief	Öl nachfüllen
	Der Wärmeaustauscher ist verschmutzt	Blasen Sie den Wärmeaustauscher von unten nach oben mit Druckluft ab
Das Sicherheitsventil des Separatorkessels ist aktiviert	Der Separator ist verschmutzt	Austauschen des Separators
	Der Druck ist zu hoch, über 13 Bar	Setzen Sie den Betriebsdruck unter 13 bar

7. Lagerung und Entsorgung

7.1 Lagerbedingungen

Der Temperaturbereich zwischen -20°C und $+35^{\circ}\text{C}$ mit max. 85% relative Luftfeuchtigkeit sollte bei der Lagerung des Kompressors eingehalten werden.

7.2. Entsorgung des Öls und des Prozesskondensats

Benutztes Öl, verschmutzte Filter und Separatoren sollten in einem abgedichteten Container gelagert und von einem lokalen Recyclingunternehmen entsorgt werden. Achten Sie darauf, dass Öl nicht mit Regen- oder Grundwasser in berührung kommt. |

Prozesskondensat beinhaltet Öl und Verunreinigungen. Die lokalen Umweltgesetze bestimmen den Grad der Kontamination des Prozesskondensats, das in die Kanalisation eingeleitet werden darf. Benutzen Sie Kondensatabscheider, um Öle und andere Verunreinigungen zu entfernen. Austauschelemente der Separatoren müssen genauso, wie mit Öl verunreinigte Reinigungstücher, professionell entsorgt werden.

© Comprag ®. Все права защищены.

Перепечатка текста и / или использование графики. допускается только с письменного разрешения Comprag®.

Производитель оставляет за собой право без уведомления потребителя вносить изменения в конструкцию изделий для улучшения их технологических и эксплуатационных параметров.

Вид изделий может незначительно отличаться от представленных на изображениях.

- 1. Правила техники безопасности**
 - 1.1 Символы, использованные в инструкции
 - 1.2 Общие меры безопасности
 - 1.3 Меры безопасности при вводе в эксплуатацию
 - 1.4 Меры безопасности при эксплуатации
 - 1.5 Меры безопасности при обслуживании и ремонте
- 2. Устройство и принцип работы**
 - 2.1 Технические данные
 - 2.2 Назначение
 - 2.3 Принцип работы
 - 2.4 Принцип действия
 - 2.5 Система регулировки
 - 2.6 Электрическая схема
 - 2.7 Данные электрических подключений
- 3. Ввод в эксплуатацию**
 - 3.1 Такелажные работы
 - 3.2 Габаритные размеры
 - 3.3 Размеры для монтажа
 - 3.4 Подготовка помещения
 - 3.5 Подсоединения к линии сжатого воздуха
 - 3.6 Подключение к электропитанию
- 4. Эксплуатация**
 - 4.1 Панель управления
 - 4.2 Включение компрессора
 - 4.3 Выключение компрессора
- 5. Настройка и сервисное обслуживание**
 - 5.1 График технического обслуживания
 - 5.2 Проверка уровня масла
 - 5.3 Проверка приводных ремней
 - 5.4 Замена масла и масляного фильтра
 - 5.5 Замена воздушного фильтра
 - 5.6 Замена приводных ремней
 - 5.7 Замена сепарационного элемента
 - 5.8 Продувка радиатора охлаждения
 - 5.9 Проверка всасывающего клапана
 - 5.10 Обслуживание электродвигателя
- 6. Устранение неисправностей**
 - 6.1 Возможные неисправности
- 7. Хранение и утилизация**
 - 7.1 Хранение
 - 7.2 Утилизация

	<p>Внимательно ознакомьтесь с технической документацией, инструкцией по эксплуатации и правилам техники безопасности. Большинство несчастных случаев при эксплуатации компрессорной техники происходит из-за несоблюдения правил безопасности. Не допускайте возникновения опасных ситуаций и соблюдайте соответствующие правила техники безопасности.</p>
--	--

	<p>Производитель оставляет за собой право вносить изменения в конструкцию с целью улучшения продукции без уведомления потребителя!</p>
--	--

1. Правила техники безопасности

1.1 Символы, используемые в инструкции

	Опасно для жизни.
	Предупреждение.
	Внимание.

1.2 Общие правила безопасности

	<p>Вся ответственность за травмы или повреждения, полученные вследствие несоблюдения правил техники безопасности при установке, эксплуатации или обслуживанию, а также при несанкционированном использовании данного оборудования, возлагается на потребителя!</p>
--	--

1. Оператор должен неукоснительно соблюдать правила техники безопасности, предусмотренные этими инструкциями и местным законодательством!
2. При сравнении данных правил безопасности с правилами местного законодательства, необходимо выбирать те, которые предъявляют более жёсткие требования!
3. К эксплуатации, техническому обслуживанию и ремонту оборудования Comrag допускается только обученный обслуживающий персонал с соответствующей степенью профессиональной подготовки!
4. Сжатый воздух непосредственно после компрессора может содержать масла и углекислый газ и не является пригодным для дыхания! Необходимо провести очистку сжатого воздуха до класса чистоты воздуха пригодного для дыхания, соответствующего нормам местного законодательства!
5. Сжатый воздух – источник энергии высокой степени опасности. Запрещается использование сжатого воздуха не по назначению! Не применяйте его для чистки одежды и обуви, не направляйте рукава сжатого воздуха в сторону людей и животных! При использовании воздуха для чистки оборудования, делайте это с особой осторожностью с применением защитных очков!
6. Все работы по техническому обслуживанию, ремонту, настройке, монтажу и т.п. должны производиться при выключенном оборудовании, с отключенным от сети кабелем питания, с отсоединенными от изделия рукавами сжатого воздуха, работы необходимо проводить в защитных очках! Убедитесь, что оборудования отключено от сети сжатого воздуха и не находится под давлением!

1.3 Меры безопасности при вводе в эксплуатацию



Вся ответственность за травмы или повреждения, полученные вследствие несоблюдения правил техники безопасности при установке, эксплуатации или обслуживанию, а также при несанкционированном использовании данного оборудования, возлагается на потребителя!

1. Разгрузка/погрузка оборудования должна проводиться только при помощи соответствующих приспособлений или подъёмных механизмов. Ручной подъём и перемещение запрещены. Не оставляйте оборудование в подвешенном состоянии. При разгрузочных работах используйте каску.
2. Разместите изделие в сухом и чистом помещении, исключаяющим прямого воздействия атмосферных осадков. Помещение должно хорошо проветриваться; при необходимости обеспечьте принудительной вентиляцией.
3. Запрещается использовать изношенные, поврежденные или испорченные рукава сжатого воздуха. Убедитесь, что рукава по номинальному диаметру и рабочему давлению соответствуют данному оборудованию.
4. При использовании в системе нескольких компрессорных станций, каждый компрес-

сор должен предполагать наличие ручного крана для возможности отсечения любого из них в случае возникновения внештатных ситуаций.

5. Не допускается наличие в атмосферном воздухе взрыво- и пожароопасных примесей, таких как: пары растворителей, углеродная пыль и т.п.

6. Обеспечьте свободный доступ к рукаву сжатого воздуха из компрессора. Не захламляйте его, не храните в непосредственной близости легковоспламеняющиеся материалы.

7. Не пережимайте, не деформируйте подводные рукава сжатого воздуха.

8. Не перекрывайте перфорации для обеспечения оборудования воздухом для охлаждения. Обеспечьте хорошее проветривание помещения.

9. При использовании дистанционного управления, изделие должно чётко и ясно сигнализировать об этом: **ВНИМАНИЕ:** Эта машина управляется дистанционно и может начать работу без предупреждения! Оператор, использующий дистанционный путь управления оборудованием, должен убедиться, что с изделием не проводится в этот момент никаких монтажных и прочих работ. После дистанционного выключения оборудования оператор должен убедиться, что оборудование действительно выключено!

10. Оборудование должно быть заземлено. Обеспечьте защиту от короткого замыкания. Пусковой рубильник должен находиться в непосредственной близости от оборудования и иметь защиту от несанкционированного запуска.



Потребитель несет полную ответственность за соответствие условий эксплуатации электрического двигателя, установленного в оборудовании. Эксплуатация оборудования без защитной аппаратуры не допускается. Защитная аппаратура должна обеспечивать защиту электрического двигателя от коротких замыканий, перегрузок (систематической и пусковой) и неполнофазных режимов. Установка защитной аппаратуры является обязанностью потребителя.

11. На оборудовании с автономной системой регулировки с функцией автоматического перезапуска рядом с панелью управления должна быть закреплена информационная табличка: **ВНИМАНИЕ:** Эта машина может начать работу без предупреждения!

12. Любые ёмкости и сосуды, работающие под давлением, должны быть оборудованы предохранительными клапанами! Запрещается любой несанкционированный монтаж, демонтаж или настройка прилагаемых предохранительных клапанов.

1.4 Меры безопасности при эксплуатации



Вся ответственность за травмы или повреждения, полученные вследствие несоблюдения правил техники безопасности при установке, эксплуатации или обслуживанию, а также при несанкционированном использовании данного оборудования, возлагается на потребителя!

1. Убедитесь, что рукава по номинальному диаметру и рабочему давлению соответствуют данному оборудованию. Перед запуском проверьте крепление каждого соединения рукава. Не полностью закреплённый рукав может стать причиной серьёзных травм!
2. Никогда не включайте оборудование, если есть подозрение на наличие в атмосферном воздухе легковоспламеняющихся примесей!
3. Оператор, использующий дистанционный путь управления оборудованием, должен убедиться, что с изделием не проводится в этот момент никаких монтажных и прочих работ! При этом на оборудовании должна быть прикреплена информационная табличка об этом: **ВНИМАНИЕ:** Эта машина управляется дистанционно и может начать работу без предупреждения!
4. Оператору запрещается работать с оборудованием, если он утомлен, находится под воздействием алкоголя, наркотических средств или лекарственных препаратов, вызывающих замедленную реакцию организма.
5. Запрещается работа оборудования с демонтированными элементами корпуса. Двери или панели могут быть открыты на непродолжительные моменты времени для осмотра и плановых проверок. При это рекомендуется использовать оборудования для защиты органов слуха.



В некоторых типах оборудования открытие дверей или снятие панелей во время работы может привести к его перегреву.

6. Персонал, находящийся в условиях или помещении где уровень звукового давления достигает или превышает значение 90 дБ (А), должен использовать защитные наушники.
7. Если атмосферный воздух, используемый для охлаждения оборудования, применяется при отоплении помещений, примите меры для его фильтрации, чтобы можно было использовать его для дыхания.
8. Периодически проверяйте:
 - наличие на своих местах предохранительных устройств и их крепление;
 - исправность и герметичность всех рукавов и трубопроводов;
 - отсутствие утечек;
 - затяжки крепёжных элементов и элементов конструкции;
 - все электрические кабели и контакты на исправность и безопасность;
 - работоспособность предохранительных устройств, наличие грязи и т.п.
 - все элементы конструкции находятся в рабочем состоянии, без износа.

1.5 Меры безопасности при обслуживании и ремонте



Вся ответственность за травмы или повреждения, полученные вследствие несоблюдения правил техники безопасности, при установке, эксплуатации или обслуживанию, а также при несанкционированном использовании данного оборудования, возлагается на потребителя!

1. Разрешается использовать только оригинальные запасные части и вспомогательные принадлежности. Использование запчастей других производителей может привести к непредсказуемым последствиям и, как результат, к несчастным случаям.
2. При проведении монтажных и ремонтных работ всегда используйте защитные очки!
3. Перед подключением или отключением оборудования отсоедините его от основной пневмосети. Убедитесь в отсутствии давления в рукавах!
4. Перед началом монтажных или прочих работ, убедитесь, что оборудование не нагружено давлением. Монтажные работы с оборудованием под давлением запрещены!
5. Все работы по техническому обслуживанию должны проводиться только тогда, когда температура элементов конструкции упадёт до комнатной.
6. Никогда не используйте для чистки элементов конструкции легковоспламеняющиеся растворители или тетрахлорид углерода. При протирке примите меры предосторожности против ядовитых паров чистящих жидкостей.
7. При проведении монтажных и ремонтных работ необходимо закрепить на панель управления информационную табличку для предотвращения от несанкционированного запуска. Например, «Не включать. Работают люди!»
8. Оператор, использующий дистанционный путь управления оборудованием, должен убедиться, что с изделием не проводится в этот момент никаких монтажных и прочих работ! При этом на оборудовании должна быть прикреплена информационная табличка об этом. Смотри 1.3.9.
9. Содержите помещение, в котором установлено оборудование, в чистоте. Открытые входные и выходные отверстия во время монтажа закрывайте сухой ветошью или бумагой, во избежание попадания мусора в оборудование.
10. Запрещается проводить сварные и прочие подобные работы непосредственно вблизи данного оборудования, а также сосудов, работающих под давлением.
11. При малейшем подозрении на перегрев, воспламенение или другую внештатную ситуацию выключите оборудование. Незамедительно обесточьте его. Не открывайте двери оборудования до тех пор, пока температура не упадёт до комнатной во избежание получения ожога или травмы.
12. Запрещается использование источников света с открытым пламенем для осмотра и ревизии оборудования.
13. Никогда не используйте едкие растворители, которые могут повредить материалы пневмосети.
14. После проведения монтажных и прочих работ убедитесь, что внутри не осталось инструмента, ветоши, запасных частей и т.п.
15. Особое внимание стоит уделять предохранительным клапанам. Тщательно следите за ними, вовремя удаляйте пыль и грязь. Ни при каких условиях они не должны утратить свой функционал. Помните, от их работы зависит Ваша безопасность!
16. Перед началом работы в штатном режиме после технического обслуживания или ремонта, проверьте, что рабочее давление, температура и прочие характеристики выставлены правильно. Убедитесь, что все управляющие и контролирующие устройства установлены и функционируют верно.

17. При замене фильтров, сепараторов и т.п., протрите сухой ветошью места их крепления от пыли, грязи, остатков масла.

18. Защитите двигатель, воздушный фильтр, электрические и регулирующие компоненты и т.п. от выпадения конденсата. Например, продуйте сухим воздухом.

19. Используйте защитные перчатки во время монтажных и ремонтных работ во избежание получения ожогов и травм. Например, при замене масла.

2. Технические данные



Несоблюдение данных инструкций, использование неоригинальных запчастей, отсутствие гарантийного талона может привести к прекращению действия гарантии.

2.1 Технические данные

Артикул	Модель	Мощность (кВт)	Рабочее давление (bar)	Производительность (m ³ /min)	Электропитание (фаза/В/Гц)	Шум (dB)	Резьбовое подсоединение	Кол-во масла* (л)
11410701	F3008	30	8	5,0	3/380/50	72	1-1/4"	18
11410702	F3010		10	4,5				
11410703	F3013		13	3,7				
11410711	F3708	37	8	6,2		72		
11410712	F3710		10	5,5				
11410713	F3713		13	4,6				
11410801	F4508	45	8	7,5	75	1-1/2"	25	
11410802	F4510		10	6,5				
11410803	F4513		13	5,7				
11410811	F5508	55	8	9,0				
11410812	F5510		10	7,9				
11410813	F5513		13	6,9				

* Соответствует стандартам DIN 51506 VDL, ISO 6743/3A. Класс вязкости по ISO VG 46.

2.2 Назначение

Винтовые маслозаполненные компрессоры Comprag F-серии предназначены для бесперебойного и экономичного производства сжатого воздуха на промышленных предприятиях. В компрессорах F-серии для передачи энергии использован ременной привод от электродвигателя. Для управления параметрами компрессор оборудован контроллером i-LOG с LCD дисплеем, включающем в себя кнопки старт/стоп и экстренного останова.

2.3 Принцип работы

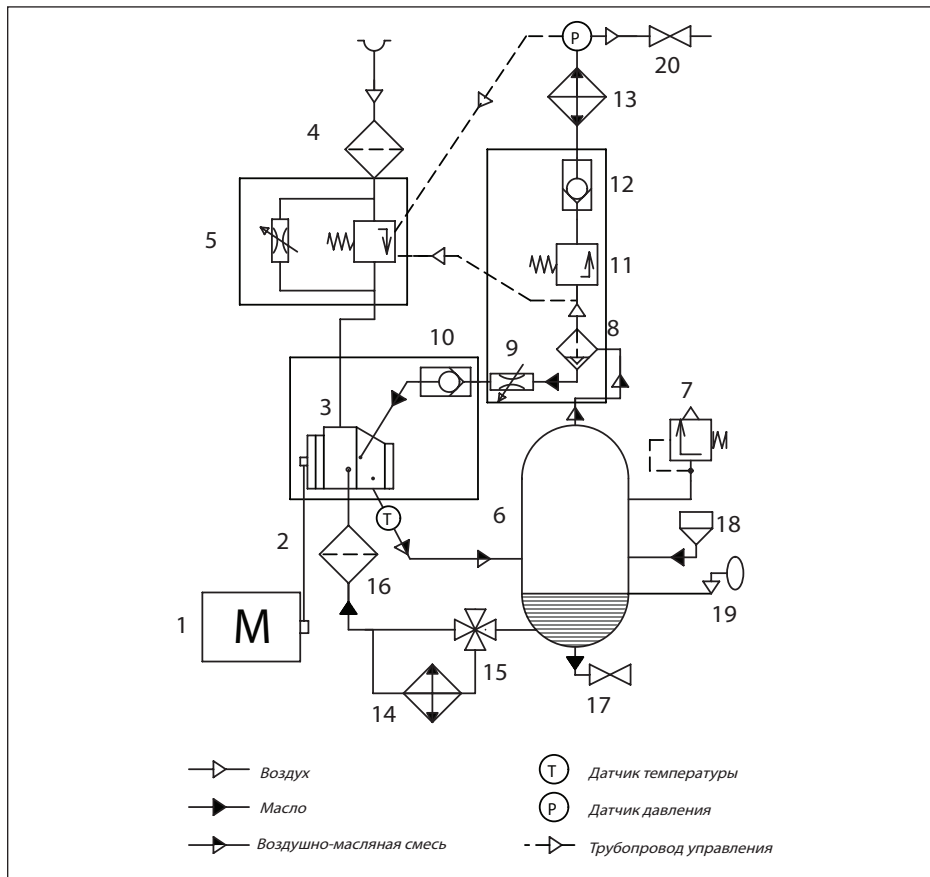


Рис. 2.3 Схема пневматическая F 30-55

Основные компоненты

1	Электродвигатель	11	Клапан минимального давления
2	Ременная передача	12	Клапан обратный
3	Блок винтовой	13	Радиатор, секция воздуха
4	Фильтр воздушный	14	Радиатор, секция масла
5	Клапан всасывающий	15	Термостат
6	Бак-сепаратор	16	Фильтр масляный
7	Клапан предохранительный	17	Кран
8	Сепарационный элемент	18	Пробка заливная
9	Дроссель	19	Смотровой глазок уровня масла
10	Клапан обратный	20	Кран, выход воздуха

2.4 Принцип действия (Смотри рис. 2.3)

Воздух:

Очищенный при помощи воздушного фильтра (4) воздух, проходя через всасывающий клапан (5), попадает в блок винтовой (3). Одновременно с поступающим для охлаждения и смазки маслом, воздух сжимается до установленного на контроллере требуемого давления. Далее воздушно-масляная смесь попадает в бак-сепаратор (6), где большая часть масла сепарируется. Остатки масла отфильтровывает сепарационный элемент (8). Затем чистый воздух охлаждается, проходя через радиатор (13), и поступает потребителю.

Масло:

Масло, отделённое от воздуха в баке-сепараторе (6), очищенное масляным фильтром (16), поступает обратно в винтовой блок (6) для охлаждения и смазки подшипников. Система циркуляции масла оборудована термостатом (15). Для быстрого нагрева компрессора масло проходит по системе по малому контуру, минуя радиатор (14). Сделано это для того, чтобы избежать конденсации на элементах компрессора, присутствующей в воздухе, влаги. При открытии термостата система поддерживает себя автоматически в диапазоне температуры срабатывания.

Система охлаждения:

Система охлаждения – это комбинированный радиатор, состоящий из воздушной (13) и масляной (14) частей. Обдув происходит вентилятором с отдельным электродвигателем.

2.5 Система регулировки

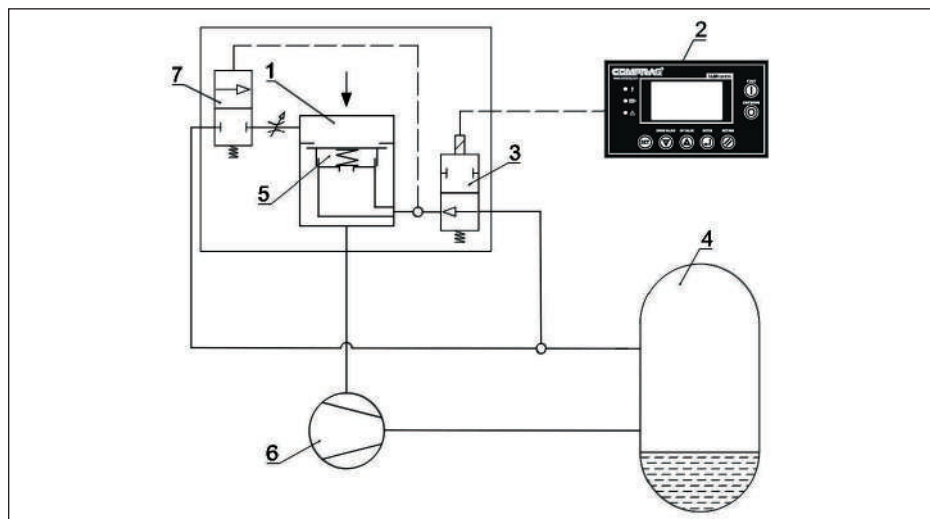


Рис. 2.5 Система регулировки

Основные компоненты

K1--K4	Контактор	YA	Клапан электромагнитный
M1, M2	Электродвигатель	QS	Выключатель автоматический
T	Датчик температуры	CT1, CT2	Трансформатор тока
I/P	Датчик давления	R,C	RC-цепочка
SB	Кнопка аварийной остановки	Tr	Трансформатор
F1, F2	Предохранитель.	i-LOG	Контролер

2.7 Данные электрических подключений

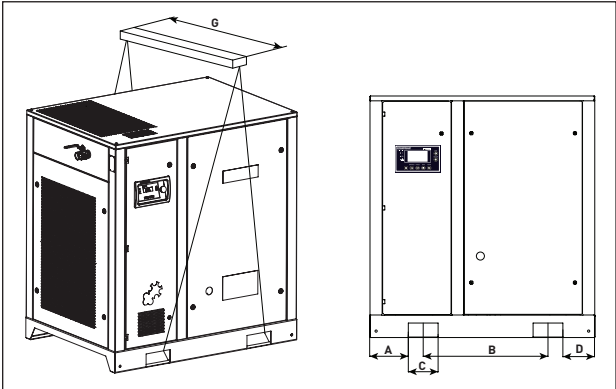
Напряжение (В)	Частота (Гц)	F30..	F37..	F45..	F55..
Материал кабеля - медь. Сечение жилы кабеля (мм ²)					
380	50	16	25	35	50
Предохранители (А)					
380	50	63	80	100	125

3. Ввод в эксплуатацию

3.1 Такелажные работы

	<p>Присутствие на изделии вмятин, сколов и прочих повреждений может привести к прекращению действия гарантии.</p>
---	---

Проверьте визуально отсутствие повреждения упаковки, если повреждений нет, поставьте блок рядом с выбранным местом монтажа и распакуйте. Перемещение оборудования

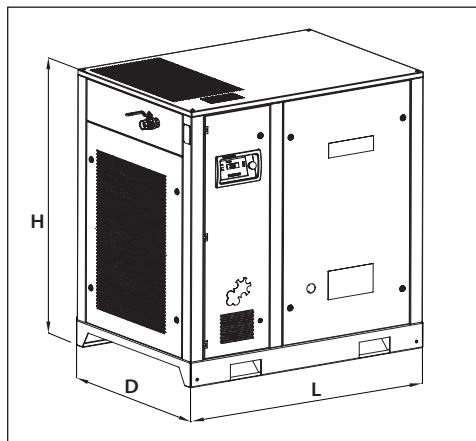


должно проводиться только при помощи соответствующих приспособлений или подъёмных механизмов. Ручной подъём и перемещение запрещены. Даже в упаковке, держите оборудование в защищенном от воздействия погодных явлений месте.

Рис. 3.1 Схема для такелажных работ F30 – F55

Модель	A, mm	B, mm	C, mm	D, mm	G, mm
F30	332	775	185	292	1200
F37					1450
F45	540	775	185	150	1450
F55					1200

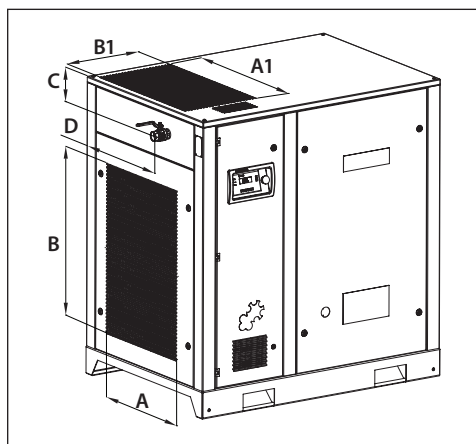
3.2 Габаритные размеры



Модель	Размеры компрессора			
	Длина L, мм	Ширина D, мм	Высота H, мм	Масса, кг
F30	1400	1000	1500	705
F37				745
F45	1650	1250	1720	980
F55				1150
	Размеры в упаковке			
F30	1600	1100	1750	735
F37				775
F45	1850	1350	1950	1020
F55				1195

Рис. 3.2 Габаритные размеры F30 – F55

3.3 Размеры для монтажа



Модель	F30 – F37	F45 – F55
A, мм	604	874
B, мм	860	1004
A1, мм	740	793
B1, мм	420	473
C, мм	128	124
D, мм	693	860

Рис. 3.3 Размеры для монтажа F30 – F55

3.4 Подготовка помещения

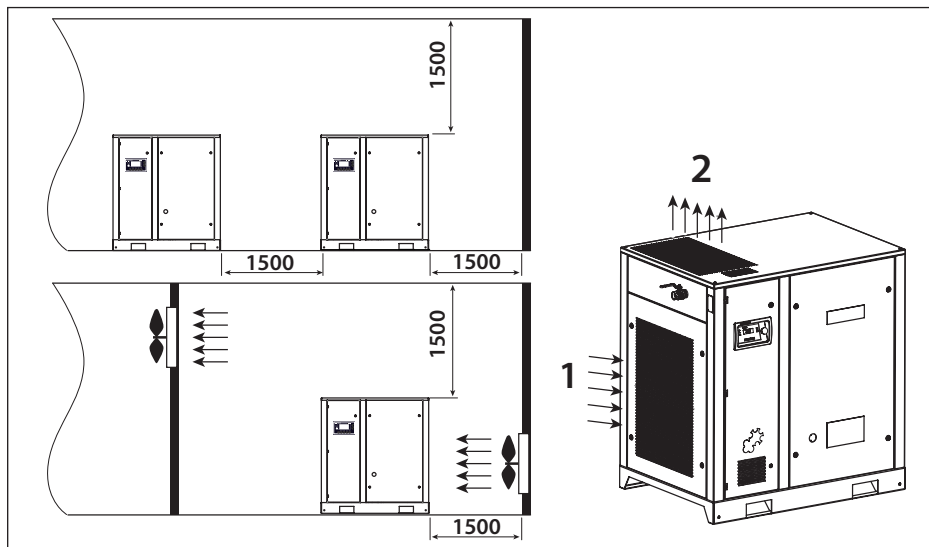


Рис. 3.4 Схема установки компрессора F30 – F55

1. Забор воздуха компрессором
2. Выход воздуха из компрессора

Минимальные требования для установки:

- Выберите чистое не запылённое и сухое помещение, защищённое от атмосферных осадков.
- В помещении пол должен быть ровный, горизонтальный и выдерживать вес компрессора. Если компрессор не закреплён к полу, угол отклонения пола не должен превышать 3°. В случае крепления, максимальное отклонения должно составлять 7°.
- Минимальная температура окружающей среды +5 °С.
- Максимальная температура окружающей среды +40 °С.
- В помещении должен быть предусмотрен приток свежего воздуха в объёме, соответствующем двукратной производительности компрессора.
- В помещении, оборудованном приточно-вытяжной механической вентиляцией, объём воздуха вытяжной вентиляции не должен превышать 40% объема воздуха приточной вентиляции.



Размещение компрессора в ненадлежащих окружающих условиях может привести к потере его работоспособности вследствие сверхвысоких нагрузок. Поломки компрессора, вызванные неправильной эксплуатацией, не рассматриваются как гарантийные

Не блокируйте, даже частично, вентиляционную перфорацию компрессора и осушителя. Избегайте возможной рециркуляции воздуха от других источников тепла.

3.5 Подсоединение к линии сжатого воздуха

Все работы по подключению компрессорного оборудования должны проводиться при отсутствии давления в пневмосети. Операции по подключению к линии сжатого воздуха должны производиться только квалифицированным специалистом.

Размеры и рабочие характеристики рукавов и арматуры должны соответствовать количеству и давлению подаваемого воздуха из компрессора. Занижение может привести к разгерметизации системы и стать причиной травм оператора и повреждений оборудования. При использовании дополнительных ресиверов, подбирайте их в зависимости от потребления сжатого воздуха и производительности компрессора.

3.6 Подключение к электропитанию

Компрессор не комплектуется кабелем питания. Сечение кабеля необходимо подобрать в соответствии с потребляемой мощностью компрессора (смотри идентификационную таблицу на корпусе). Кабель должен быть в оплетке (оболочке), не поддерживающей горение. Сечение силового кабеля должно выдержать потенциально возможные скачки напряжения в пределах +5%.

Длина кабеля не должна превышать 25м.



Компрессор должен быть заземлён и защищён то короткого замыкания. Также примите меры для защиты от колебаний напряжения

Силовой кабель должен быть заведён внутрь компрессора.

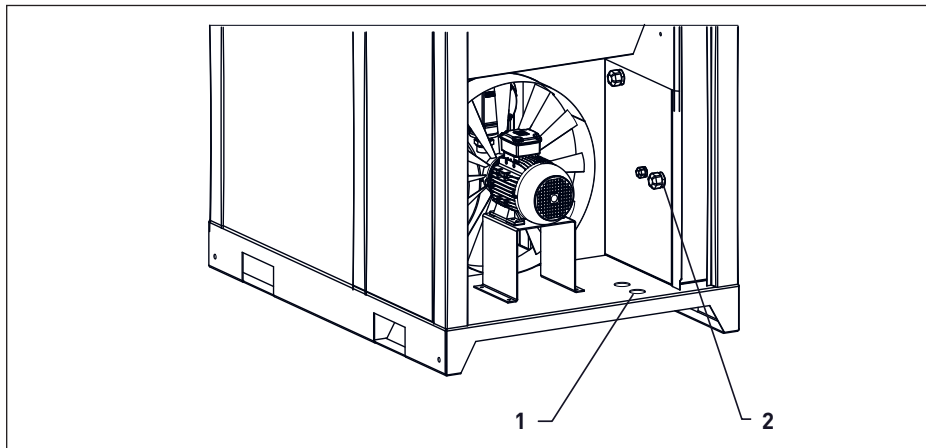


Рис. 3.6.1 Подвод силового кабеля

Снимите левую панель и пропустите кабель сквозь специальное отверстие (1) в основании компрессора. Затем пропустите его через пластиковый ввод (2).

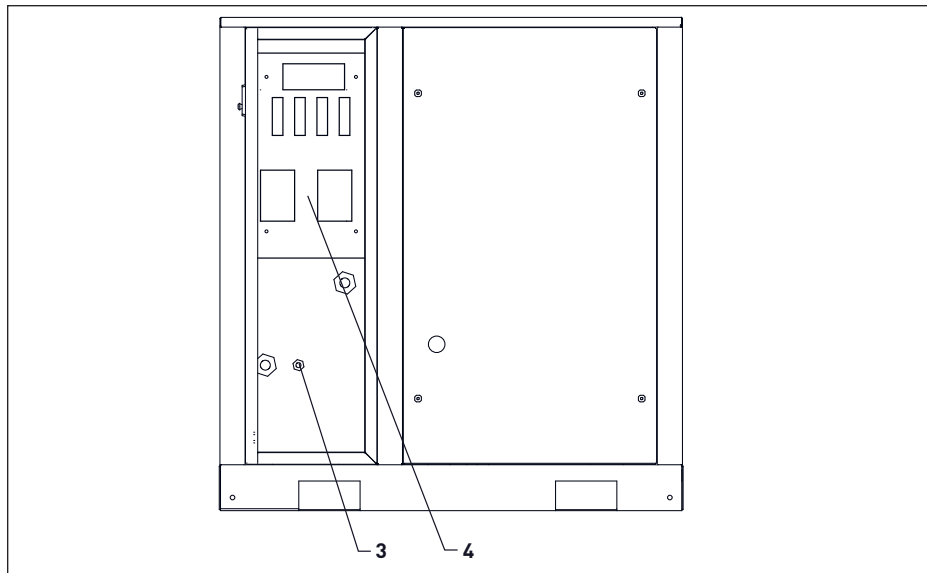


Рис. 3.6.2 Подключение к электропитанию

Подключите силовой кабель согласно электрической схеме. Смотри пункт 2.6.
Для заземления используйте болт позиции 3.

4.Эксплуатация



К эксплуатации компрессора допускается только квалифицированный персонал.

4.1 Панель управления

Для управления параметрами компрессоры F30 – F90 оборудованы контроллером i-LOG, который в автоматическом режиме отслеживает расход потребителем воздуха. При падении давления в контуре (компрессор-ресивер) ниже установленного уровня, контроллер даёт команду на запуск компрессора. При достижении максимального установленного уровня, компрессор переходит в режим ожидания (холостой ход), время которого устанавливается на контроллере.

Также в контроллере предусмотрена долговременная память для хранения оперативных данных: времени наработки, значений счетчиков, состояний системы и т.п.

4.1.1 Общий вид контроллера i-Log

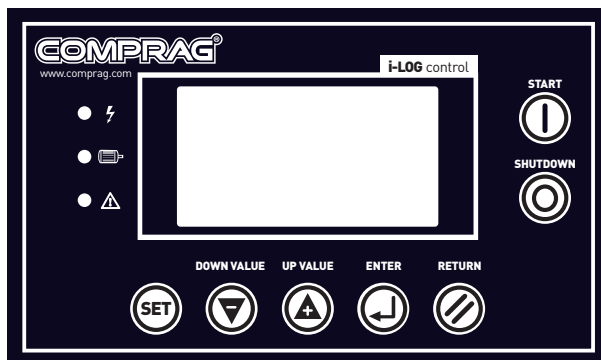


Рис. 4.1.1.1 Панель управления

	Пуск компрессора		Вверх
	Остановка компрессора		Вниз
	Возврат в основное меню		Ввод
	Кнопка установки. Кнопка загрузки / разгрузки		

4.1.2 Индикация

	Индикатор питания (красный): индикатор загорается при включении контроллера. Напряжение подано.
	Индикатор работы (зелёный): индикатор загорается, когда двигатель работает. Компрессор под нагрузкой.
	Индикатор тревоги (красный): индикатор мигает при тревоге; индикатор горит, когда компрессор остановлен по сигналу «авария» (сопровождается звуковым сигналом); Индикатор выключен, когда ошибка устранена. Для сброса ошибки нажмите и удерживайте кнопку возврата в меню .

Информационный LED дисплей.

После включения питания экран дисплея отобразит следующее:

COMPRAG ВОЗДУШ- НЫЙ КОМПРЕССОР

Через 5 секунд высветятся основные параметры компрессора: Параметры отображают текущее состояние компрессора:

ТЕМП: 21 °C	Температура масла, °C
ДАВЛ: 0.0BAR	Давление в сети, BAR
СТОП	Состояние компрессора
СО1 ЛОКАЛ	Состояние подключения

Нажмите  для входа в меню выбора:


ПАРАМ. РАБОТЫ	Вход в меню ПАРАМ. РАБОТЫ
ПАРАМ. ЭКСПЛУАТ	вход в меню ПАРАМ. ЭКСПЛУАТ (редактирование через пароль)

ПАРАМ. ЗАВОДА	вход в меню ПАРАМ. ЭКСПЛУАТ (вход через пароль)
ПАРАМ. КАЛИБРОВ	вход в меню ПАРАМ. КАЛИБРОВ (вход через пароль)

Описание параметров «Параметры работы»

Выберите строку «ПАРАМ. РАБОТЫ» кнопками  ,  и нажмите  . Данные параметры отражаются только для просмотра текущих настроек изделия.

М1 И ВЕНТ	ТОК
ОБЩЕЕ ВРЕМЯ	РАБ
ТЕК. ВРЕМЯ	РАБ
ПАРАМ.	СЕРВИСА
ИСТОРИЯ	ОШИБОК
ЗАВОДСКОЙ	НОМЕР
ТЕК.	ОШИБКА
КОММУНИК.	СТАТУС

Выберите строку «М1 И ВЕНТ ТОК» и нажмите  :

М1 И ВЕНТ	ТОК(А)	Ток по фазам главного двигателя и двигателя вентилятора
А	0.0 0.0	
В	0.0 0.0	
С	0.0 0.0	

По аналогии поступаем со следующими пунктами меню.

«ОБЩЕЕ ВРЕМЯ РАБ»

ОБЩЕЕ ВРЕМЯ РАБ:	Общее время наработки (главный двигатель работает).
ОБЩЕЕ ВРЕМЯ НАГ:	Общее время работы под нагрузкой (главный двигатель работает, клапан всасывающий открыт).

«ТЕК. ВРЕМЯ РАБ»

ТЕК. ВРЕМЯ РАБ:	Текущее время работы от последнего включения.
ТЕК. ВРЕМЯ НАГ:	Текущее время работы под нагрузкой

«ПАРАМ. СЕРВИСА»

ВРЕМЯ В РАБ(Н)	Время в работе (часы).
МАСЛ ФИЛЬТР:0000Н	Время в эксплуатации. Отображает время с последнего ТО.*
СЕПАРАТР: 0000Н	Время в эксплуатации. Отображает время с последнего ТО.*
ВОЗД ФИЛЬТР:0000Н	Время в эксплуатации. Отображает время с последнего ТО.*
МАСЛО: 0000Н	Время в эксплуатации. Отображает время с последнего ТО.*
СМАЗКА М1: 0000Н	Время в эксплуатации
РЕМНИ: 0000Н	Время в эксплуатации

*Прописываются в «Параметры эксплуатации/МАХ ВРЕМЯ РАБ». После проведения ТО время сбрасывается. Смотри «Параметры эксплуатации/СБР ВРЕМЯ СЕРВИС».

«ИСТОРИЯ ОШИБОК»

«ИСТОРИЯ ОШИБОК»	Для просмотра открыто 5 последних ошибок.
------------------	---

«ТЕК. ОШИБКА»

«ТЕК. ОШИБКА»	Активная ошибка
---------------	-----------------

«КОММУНИК. СТАТУС»

«КОММУНИК СТАТУС»	В данной модели не используется.
-------------------	----------------------------------

Если в текущем меню не производится никаких действий 60 секунд, контроллер автоматически вернется в главное меню.




Описание параметров «Параметры эксплуатации»

Данный пункт меню разрешён для просмотра, но защищён паролем от изменений. Для изменений в настройках компрессора обратитесь к Вашему региональному дилеру.

Нажмите  для входа в меню выбора:

Кнопками ,  выберите «ПАРАМ. ЭКСПЛУАТ» нажмите .

ДАВЛ/ТЕМП	УСТ
ВРЕМЯ	УСТ
РЕЖИМ	РАБОТЫ
SEQ ПАРАМ	УСТ
СБР ВРЕМЯ	СЕРВИС
МАХ ВРЕМЯ	РАБ
ЯЗЫК:	RU
ПАРАЛ ПОЛЬЗ:	XXXX

Кнопками ,  выберите «ДАВЛ/ТЕМП УСТ» нажмите . (Ниже указаны установленные значения для компрессора с макс. рабочим давлением 8,0 бар.)

P НАГР:	05.2 bar	Давление нагрузки.
P РАЗГ:	08.0 bar	Давление разгрузки.
ВЕНТ. ON:	0095 °C	Температура включения вентилятора.
ВЕНТ. OFF:	0060 °C	Температура выключения вентилятора.

«ВРЕМЯ УСТ»

M1 СТАРТ:	0007S	Время игнорирование нагрузки главного двигателя.
ВЕНТ СТАРТ:	0002S	Время игнорирование нагрузки двигателя вентилятора.
У-ЗАДЕР:	0004S	Время переключения звезда-треугольник.
НАГР ЗАДЕР:	0002S	Задержка команды на открытие «Клапана всасывающего».

ХОЛОСТ ЗАД:	0300S	Время холостого хода. Главный двигатель работает, Клапан всасывающий закрыт.
ОСТАН ЗАД:	0009S	Задержка времени остановки эл. двигателя.
СТАР ЗАД:	0090S	Задержка на включение. Время разгрузки компрессора, повторный запуск в этот период невозможен.

«РЕЖИМ РАБОТЫ» смотри пункт 4.1.4.

«SEQ ПАРАМ УСТ» смотри пункт 4.1.4.

«СБР ВРЕМЯ СЕРВИС»

МАСЛ ФИЛЬТР: 0000H	Установить в 0 после замены.
СЕПАРАТОР: 0000H	Установить в 0 после замены.
ВОЗД ФИЛЬТ: 0000H	Установить в 0 после замены.
МАСЛО: 0000H	Установить в 0 после замены (масло в баке сепаратора).

СМАЗКА М1: 0000H	Главный двигатель смазка (производителем не регламентируется).
РЕМНИ: 0000H	Ремни клиноременной передачи (производителем не регламентируется).

«МАХ ВРЕМЯ РАБ»

МАСЛ ФИЛЬТР: 0000H	Установить время до следующей замены.*
СЕПАРАТОР: 0000H	Установить время до следующей замены.*
ВОЗД ФИЛЬТ: 0000H	Установить время до следующей замены.*
МАСЛО: 0000H	Установить время до следующей замены (масло в баке сепаратора).*

*Данные значения устанавливаются согласно очередности проведения ТО согласно пункту 5.1.

СМАЗКА М1: 0000H	Установить время до следующей замены (производителем не регламентируется).
РЕМНИ: 0000H	Установить время до следующей замены (производителем не регламентируется)


«ЯЗЫК»

ЯЗЫК ВЫБОР	Выбор языка
РУССКИЙ	Установленное значение

«ПАРАЛ ПОЛЬЗ»

ПАРОЛЬ ПОЛЬЗОВ	****
****	Не изменять

4.1.3 Индикация ошибок

Сообщения о неисправностях, в результате которых компрессор немедленно выключается, либо изначально не запускается. При этом загорается индикатор ●  , Все ошибки при аварийном выключении после устранения необходимо сбросить (нажмите кнопку «RETURN» и удерживайте).

Тревога (компрессор продолжит работу)

ТРЕВОГА: МАСЛ ФИЛ. ПРЕВЫШ	Срок службы масляного фильтра превышен, требуется замена.
ТРЕВОГА: СЕПАРАТОР ПРЕВЫШ	Срок службы сепаратора превышен, требуется замена.
ТРЕВОГА: ВОЗД. ФИЛ. ПРЕВЫШ	Срок службы воздушного фильтра превышен, требуется замена.
ТРЕВОГА: МАСЛО ЗАМ ПРЕВЫШ	Срок службы масла превышен, требуется замена.
ТРЕВОГА: Т 105 °С	Температура масла выше разрешённой. Если тревога длится > 3сек произойдёт аварийная остановка компрессора.

Авария (немедленная остановка компрессора и запрет запуска)

В контроллере сохраняется 5 последних ошибок.

АВАР: НИЗКАЯ Т	Температура окружающей среды ниже разрешённой. Запрет пуска компрессора.
АВАР: Т 112 °С	Температура масла выше допустимой. Если температура продолжает расти, через 3сек. произойдёт аварийная остановка компрессора.
АВАР: ДАТЧ ТЕМП НЕИСПР	Неисправность датчика температуры, обрыв провода.
АВАР: М1 ПЕРЕГР 000.0А	Перегрузка по току главного двигателя М1.
АВАР: М1 К.З.	Короткое замыкание двигателя М1 или контакторов.
АВАР: ВЕНТ ПЕРЕГР 000.0А	Короткое замыкание двигателя М2 или контакторов.
АВАР: ВЕНТ К.З.	Короткое замыкание двигателя М2 или контакторов.
АВАР: ПОСЛЕД ФАЗ	Неправильное чередование фаз или отсутствие фазы главного двигателя М1.
АВАР: ДИСБАЛ ФАЗ	Дисбаланс фаз главного двигателя М1 выше допустимого.
АВАР: ДАВЛ ВЫСОК 008.4ВАР	Рабочее давление выше разрешённого.
АВАР: ДАТЧ ДАВЛ НЕИСПР	Неисправность датчика давления, обрыв провода, неправильная полярность.
АВАР: ВЕНТ ДИСБАЛ 000.0А	Неправильное чередование фаз или отсутствие фазы двигателя вентилятора М2.
АВАР: ВЕНТ ФАЗА 000.0А	Дисбаланс фаз двигателя вентилятора М2 выше допустимого.
АВАР: КНОПКА АВАР ОСТ	Компрессор не запускается. Нажата кнопка аварийного останова



Дальнейшая работа без устранения причины возникновения аварийного сообщения запрещена!

4.1.4 Управление режимом блока и работа в сети

Управление режимом блока.

Контроллер i-LOG позволяет построить локальную сеть с помощью порта RS-485.

В сеть можно подключать до 16 компрессоров. Компрессор с сетевым адресом «0001»-ведущий, другие ведомые.

Настройка режима блока.

В главном меню выберите «ПАРАМ. ЭКСПЛУАТ» и перейдите к подменю «Режим работы».

УПРАВ:	УДАЛ	Управление удаленное.
НАГРУЗ:	AUTO	Функция «нагрузка/разгрузка установлена в «AUTO».
СЕТЬ СОЕД:	MODBUS	Прописываем «MODBUS».
СЕТЬ АДРЕС:	0001	Адрес компрессора в сети.

В меню «ПАРАМ. ЭКСПЛУАТ» перейдите к подменю «SEQ ПАРАМ УСТ».

ГРУП:	ВЕДУЩ	Ведущий контроллер.
ГРУП ПЕРЕК:	0002H	Смена времени очередности работы.
НОМ В ГРУП:	0003	Количество компрессоров в сети.
ГР НАГР:	005.2 BAR	Давление запуска или загрузки компрессора.
ГР РАЗГ:	008.0BAR	Давление разгрузки или останова компрессора.
ГР ЗАДЕРЖ:	00020S	Задержка команды на заданное время.

После настройки этих данных, перезапустите контроллер для обновления.

Затем надо настроить контроллер, который выступает в качестве ведомого устройства, необходимо установить «СЕТЬ СОЕД:» в режим «MODBUS», установить параметр «СЕТЬ АДРЕС:» в соответствии с количеством ведомых компрессоров, «ГРУП:» установить, как «ВЕДОМ». Выберите «ПАРАМ. РАБОТЫ!» нажмите «ввод», затем выберите «КОММУНИК. СТАТУС» нажмите «ввод». Контроль активности сети можно проследить по таблице, приведённой ниже.

RX : _____
TX : _____

Передача/прием.

Работа в сети

Контроллер i-LOG поддерживает протокол MODBUS RTU.


4.2 Пуск компрессора



Каждый раз перед запуском компрессора проверьте уровень масла в баке-сепараторе. При низком уровне – долейте масло.

Подключите напряжение.

Откройте выпускной шаровый кран.


Нажмите кнопку  "Пуск" на панели управления контроллера.

Компрессор запустится. Контроллер будет автоматически управлять работой компрессора по заводским установкам

4.3 Выключение компрессора



Для экстренной остановки компрессора нажмите кнопку аварийного отключения на панели управления контроллера. После устранения неисправности разблокируйте кнопку, вытянув её на себя. После аварийного отключения, компрессор может быть повторно запущен не раньше, чем через 10 минут.

Нажмите кнопку  "Остановка" на панели управления контроллера.

Компрессор выключится. LCD дисплей потухнет.

Закройте выпускной шаровый кран. Отключите от сети питания.

5. Настройка и сервисное обслуживание

5.1 График технического обслуживания

	Ежедневно	Ежемесячно	Ежегодно	Интервал в моточасах			
				Т0-1	Т0-2	Т0-3	Т0-2
				500	2000	4000	6000
Уровень масла	Проверка/ долить						
Масло компрессора				Замена	Замена	Замена	Замена
Фильтр воздушный		Очистка			Замена	Замена	Замена
Фильтр масляный				Замена	Замена	Замена	Замена
Сепарационный элемент						Замена	
Теплообменник		Очистка					
Подшипники электродвигателя			Смазка				
Всасывающий клапан			Проверка				
Клапан мин. давления			Проверка				
Клапан предохранительный			Проверка				

После 6000 часов работы, плановое техническое обслуживание должно включать в себя чередование Т0-2 или Т0-3 через каждые 2000 моточасов или один раз в год, в зависимости от того, что наступит быстрее. Проведение ежедневного, еженедельного, ежемесячного и ежегодного контроля не отменяется проведённым техническим обслуживанием.

5.2 Проверка уровня масла

Проверка уровня масла является ежедневной процедурой. Перед проверкой выключите компрессор.

Уровень масла проверяется через смотровой глазок (1), расположенный непосредственно на баке-сепараторе. Масло должно визуально просматриваться в глазке. Если уровень масла ниже и его не видно, долить до середины глазка.

Если эксплуатация проходит в загрязнённых или пыльных условиях, и возникают трудности рассмотреть уровень масла через окно в панели, допускается снять переднюю панель и провести проверку непосредственно на баке-сепараторе.

Запрещается использовать при проверке уровня масла источники света с открытым пламенем.

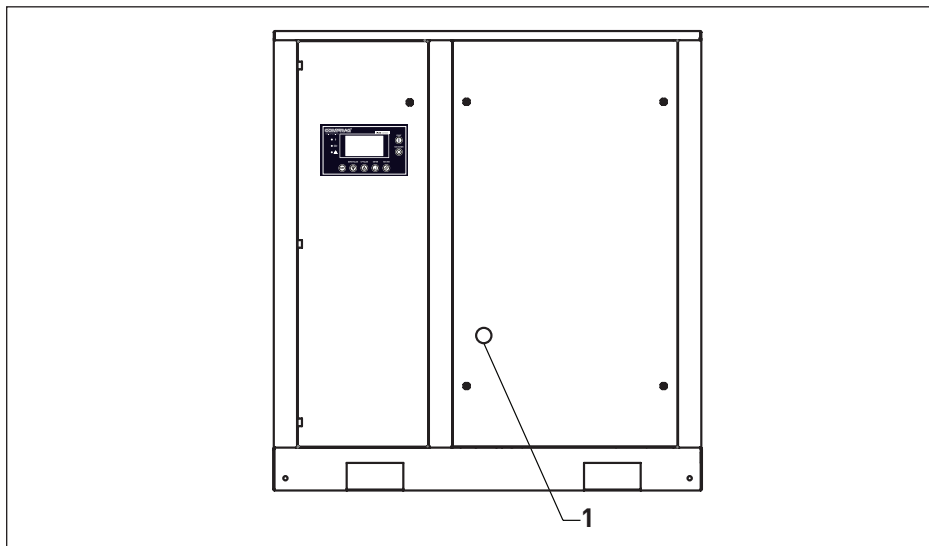


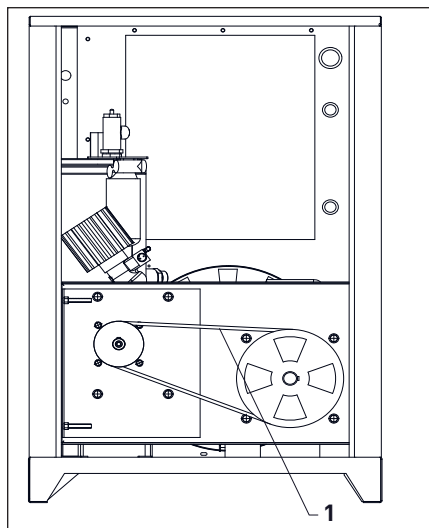
Рис. 5.2 Проверка уровня масла

5.3 Проверка приводных ремней

Проверка ремней является ежемесячной процедурой. Перед проверкой выключите компрессор и отключите его от питания.

Снимите левую панель. Визуально продиагностируйте ремни на следы износа, трещин, деформаций и т.п. При наличии представленных выше дефектов – замените ремни (смотрите пункт 5.6.).

Натяжение ремней. Для выставления натяжения, используйте спец. оборудование.



Модель	Рабочее давление, Бар	Натяжения, Н
F30	8	350
	10	350
	13	350
F37	8	400
	10	400
	13	400
F45	8	450
	10	450
	13	450
F55	8	650
	10	650
	13	650

Рис. 5.3 . Проверка приводных ремней

5.4 Замена масла и масляного фильтра

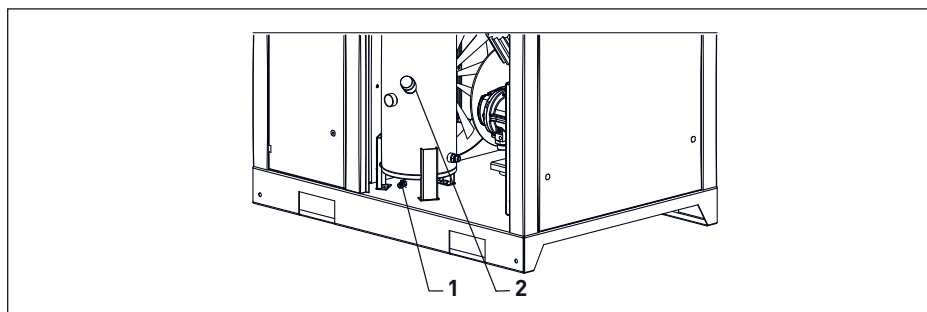


Рис. 5.4.1 Замена масла

Перед заменой масла выключите компрессор и отключите его от питания.

Снимите лицевую панель и открутите пробку заливной горловины (2) на один оборот, чтобы стравить оставшееся давление, если таковое присутствует. Открутите пробку (2) и пробку сливного крана (1). Откройте сливной кран и слейте использованное масло в специально подготовленный резервуар подходящего объема. Залейте через горловину новое масло до середины смотрового глазка. Установите обратно пробки (1) и (2).

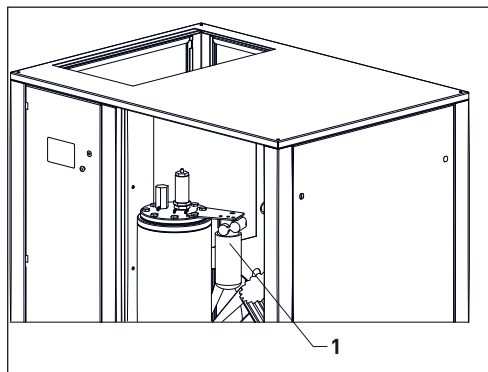


Рис. 5.4.2 Замена масляного фильтра

Снимите лицевую панель. Аккуратно открутите масляный фильтр (1) (допускается использовать специальный ключ-съёмник) и слейте использованное масло из фильтра в специально подготовленный резервуар.

Обязательно смажьте свежим маслом уплотняющую прокладку на новом фильтре. Прикрутите фильтр на место. Прикручивайте фильтр только вручную. Запустите компрессор и дайте проработать в холостом режиме несколько минут, пока свежее масло не разойдётся по системе. Выключите компрессор и проверьте уровень масла. Масло должно быть по середине смотрового глазка. При необходимости – долить.

5.5 Замена воздушного фильтра

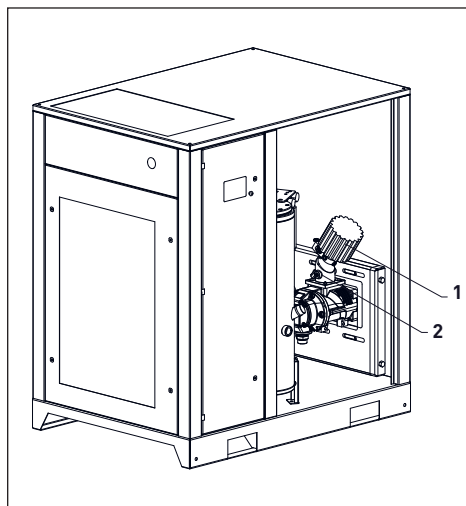


Рис. 5.5 Замена воздушного фильтра

Перед заменой фильтра выключите компрессор и отключите его от питания. Снимите лицевую панель. Воздушный фильтр (1) крепится на всасывающем клапане. Открутите винт крепёжного хомута (2). Снимите старый фильтр. Установите на его место новый фильтр. Затяните хомут.

5.6 Замена приводных ремней

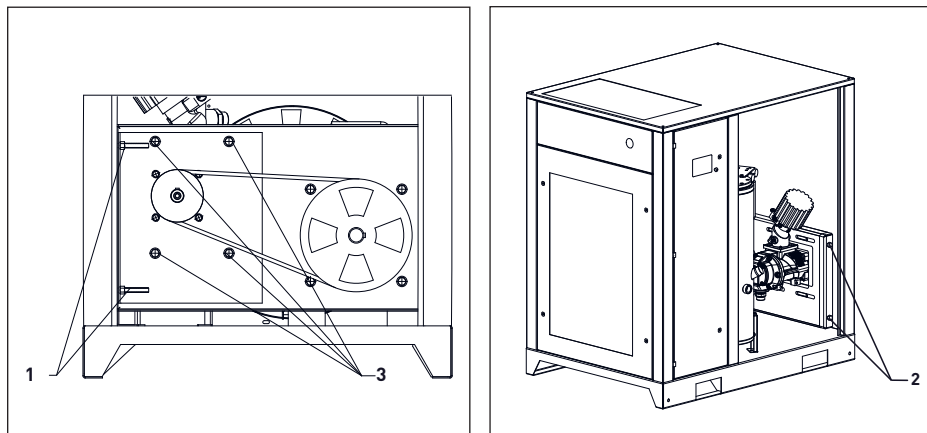


Рис. 5.6 Замена приводных ремней

Перед заменой приводных ремней выключите компрессор и отключите его от питания. Снимите лицевую и правую панели. Ослабьте 4 винта (3). Открутите 2 контрлящих гайки (1) и выкручивайте 2 болта (2) до тех пор, пока ремни не провиснут. Снимите старые ремни и замените их на новые. Проведите описанные выше операции в обратной последовательности. Натяните ремни до значений, указанных в пункте 5.3. Дайте проработать компрессору не менее 4 часов и проверьте натяжку. При необходимости – подтянуть.

5.7 Замена сепарационного элемента

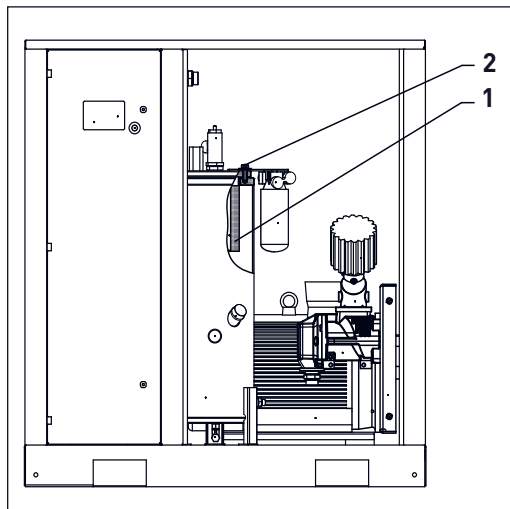


Рис. 5.7 Замена сепарационного элемента

Перед заменой приводных ремней выключите компрессор и отключите его от питания. Сепарационный элемент расположен непосредственно в баке-сепараторе. Для его замены снимите лицевую панель. Открутите крепёжные болты поз. (2) и осторожно снимите верхнюю крышку бака. Допускается отсоединить подходящие к баку рукава, если они создают трудности при замене. Удалите использованный сепаратор и установите на его место новый. Верните на место верхнюю крышку, закрутите болты и подсоедините обратно рукава.

5.8 Очистка радиатора

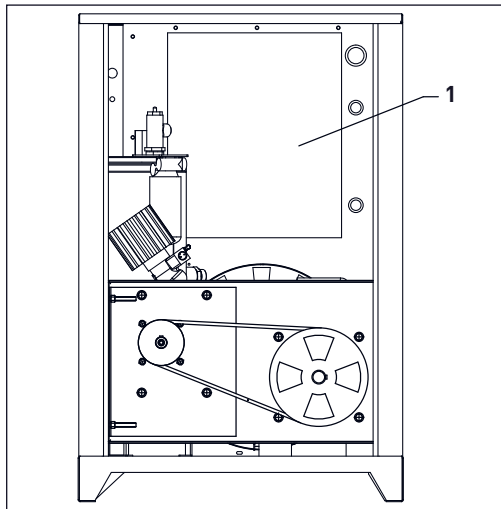


Рис. 5.8 Очистка радиатора

Для доступа к радиатору снимите лицевую или правую панели.

Старайтесь регулярно чистить радиатор для поддержания эффективного охлаждения.

Удалите любые частицы грязи из радиатора при помощи волоконной щетки; затем направьте на радиатор струю сжатого воздуха, угол между струей воздуха и плоскостью радиатора должен быть примерно 90°.

5.9 Проверка всасывающего клапана

Для проведения проверки всасывающего клапана, снимите воздушный фильтр как показано в пункте 5.5.

Далее откройте рукой шиберную заслонку, убедитесь в плавности ее хода и возможности полного открытия. В случае заедания или неполного хода заслонки замените клапан на новый.

5.10 Обслуживание электродвигателя

В процессе эксплуатации компрессора в подшипники двигателя необходимо добавлять свежую пластичную смазку, разработанную для применения в подшипниках качения. Смазку следует добавлять с помощью специального шприца для пластических смазок через масленки, расположенные в крышках подшипника двигателя. Объем добавляемой смазки можно рассчитать по формуле:

$$D^2 \text{ вала двигателя (мм)} \times 0,005 = M \text{ (масса смазки) (г)}.$$

Не переполняйте смазкой подшипники сверх нормы, т.к. во время работы двигателя вся лишняя смазка будет выдавлена из подшипника внутрь двигателя.

6. Устранение неисправностей

6.1 Возможные неисправности

Проблема	Возможная неисправность	Корректирующие действия
Компрессор запускается с задержкой. Электродвигатель медленно набирает скорость.	Ремни перетянуты.	Обеспечьте ремням соответствующие натяжение. Смори п. 5.3.
	Густое масло.	Замените масло
Присутствует свист во время работы компрессора.	Проскальзывает ремень.	Обеспечьте ремням соответствующие натяжение. Смори п. 5.3.
Компрессор не запускается. На блоке управления индикация температурной блокировки.	Температура окружающего воздуха не соответствует необходимой (ниже +5°C или выше +40°C).	Обеспечьте необходимую температуру воздуха в помещении, где установлен компрессор.
Компрессор перегревается.	Недостаточная вентиляция помещения, в котором установлен компрессор.	Увеличьте циркуляцию воздуха.
	Слишком низкий уровень	Долейте масло (п. 5.2).
	Загрязнен радиатор.	Продуйте радиатор сжатым воздухом (п. 5.8).
Срабатывает предохранительный клапан.	Загрязнён сепаратор.	Проведите ТО с заменой сепаратора.
	Слишком высокое давление (более 13 бар).	Установите рабочее давление ниже 13 бар.

7. Хранение и утилизация

7.1 Хранение

Хранение компрессора допускается при температуре от -20° до +35°С при относительной влажности воздуха не более 85%.

7.2 . Утилизация

Утилизация технологического конденсата. Технологический конденсат содержит в себе масло. Сливайте образующийся во время работы конденсат в специальные сборщики. Сменные элементы сборщика технологического конденсата утилизируйте как промасленный обтирочный материал.

Утилизация масляных фильтров, сепараторов. Не допускайте попадание остатков масла на почву, в канализацию и водоемы. Сдавайте масляные фильтры и сепараторы на утилизацию в герметичной таре.

Утилизация воздушных фильтров. Воздушные фильтры сдавайте на утилизацию отдельно от промасленных отходов.

Утилизация отработанного масла. Утилизацию отработанного масла производите в герметичной таре. Не допускайте попадания в масло атмосферных осадков.

EC Declaration of conformity machinery directive 2006/42/EC

EG-Konformitätserklärung gemäß der EG-Maschinenrichtlinie 2006/42/EG

Hiermit erklären wir, dass die nachstehend bezeichnete Maschine in ihrer Konzeption und Bauart sowie in der von uns in Verkehr gebrachten Ausführung den grundlegenden Sicherheits- und Gesundheitsanforderungen der EG-Maschinenrichtlinie 2006/42/EG entspricht. Bei einer mit uns nicht abgestimmten Änderung der Maschine verliert diese Erklärung ihre Gültigkeit.

Hersteller:

Comprag GmbH
Simonshöfchen 30
42327 Wuppertal, Deutschland
Deutschland

Schraubenkompressor

Type A, AR, ARD
Max. Betriebsdruck, Bar 8-13 (siehe Typenschild)
Min./max. Betriebstemperatur, °C +5 /+40

Es wird die Übereinstimmung mit weiteren, ebenfalls für das Produkt geltenden Richtlinien/Bestimmungen erklärt:

EG- Druckgeräte-Richtlinie (2014/68/EU)
Einfache Druckluftbehälter (2014/29/EU)
Niederspannungsrichtlinie (2014/35/EU)
EMV-Richtlinie (2014/30/EU)

Angewandte harmonisierte Normen:

Sicherheit von Maschinen (DIN EN 12100)
Sicherheit von Maschinen (DIN EN 60204-1)
Sicherheit von Maschinen (DIN EN ISO 13849-1)

Name des Dokumentationsbevollmächtigten:

Igor Ortenberg

Adresse des Dokumentationsbevollmächtigten:

siehe Adresse des Herstellers

EC Declaration of Conformity in accordance with the EC Machinery directive 2006/42/EC

We hereby certify that the following described machine in its conception, construction and form put by us into circulation is in accordance with all the relevant essential health and safety requirements of the EC Machinery directive 2006/42/EC as amended and the national laws and regulations adopting this directive. This declaration is no longer valid if the machine is modified without our consent.

Manufacturer:

Comprag GmbH
Simonshöfchen 30
42327 Wuppertal, Germany
Germany

Screw air compressor

Type A, AR, ARD
Max. Working pressure, bar 8-13 (see name plate)
Min./max. Working temp., °C +5 /+40

The agreement with further valid guidelines/regulations following for the product is explained:

Pressure equipment directive (2014/68/EU)
Simple pressure vessels (2014/29/EU)
Low Voltage Directive (2014/35/EU)
EMC Directive (2014/30/EU)

Applied harmonized standards, in particular:

Safety of machinery (DIN EN 12100)
Safety of machinery (DIN EN 60204-1)
Safety of machinery (DIN EN ISO 13849-1)

Name of the authorized representative:

Igor Ortenberg

Address of the authorized representative:

See address of Manufacturer

Wuppertal, 10.07.2020

Comprag GmbH
Igor Ortenberg
Authorized Representative


COMPRAG®
COMPRAG GmbH
SIMONSHÖFCHEN 30
42327 WUPPERTAL, DEUTSCHLAND