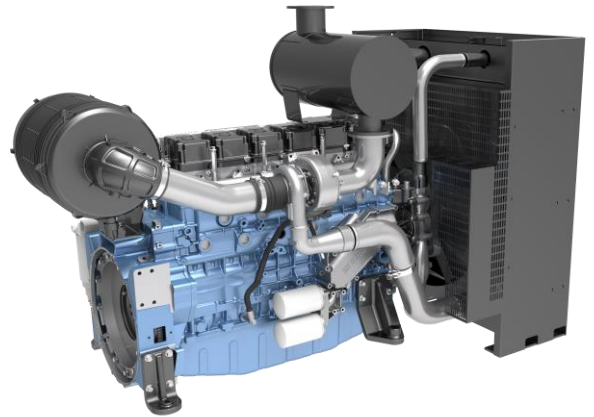


# PowerKit Engine 6M21 Series

## General Specifications

Bore & Stroke	127x165 mm
Displacement	12.54 L
Cylinder Number	6
Compression Ratio	16:1
Fuel System	Mechanical Pump
Governor	Mechanic/Electronic
Aspiration	TA
Emission Standard	EU Stage II



Engine Speed	Engine Output		Typical Generator Output(ESP)
	Prime(PRP)	Standby(ESP)	
RPM	kWm	kWm	kWe/kVA
1500	350	385	308/385
1500	368	405	352/440

Engine Speed	Engine Output		Typical Generator Output(ESP)
	Prime(PRP)	Standby(ESP)	
RPM	kWm	kWm	kWe/kVA
1800	350	385	350/440
1800	404	448	400/500

## Standard Equipment

### Engine and block

- Cast iron frame style body structure
- One-piece forged crankshaft
- Split-cap forged steel connecting rods
- Separate cast-iron cylinder heads with 4 valves
- Replaceable dry cylinder liners
- Aluminum alloy pistons with oil cooling gallery

### Cooling system

- Radiator and hoses supplied separately
- Thermostatically-controlled system with poly belt driven
- Coolant pump and pusher fan

### Lubrication system

- Flat bottom large capacity oil pan (36 L)
- Spin-on full-flow lub oil filter

### Fuel system

- P type fuel injection pump and injector for higher inject pressure
- Duplex fine filter and water separated filter assembly with the transparent cup

### Air intake and exhaust system

- Mid-position and below inlet turbocharger optimized for industrial application
- Special rear mounted air filter with restriction indicator
- Silicone tubes and strong clips for pipe connecting
- Stainless steel exhaust manifold shield for heat isolation

### Electrical system

- 24V electric starter motor and battery charging alternator
- Standard sensor connector

### Flywheel and housing

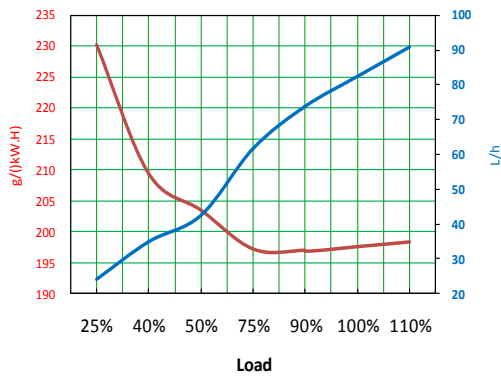
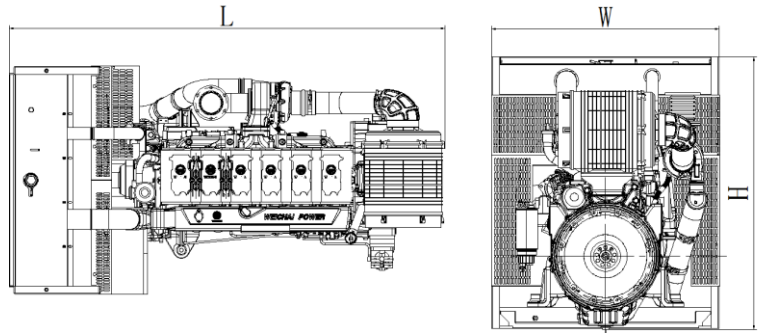
- SAE1 flywheel housing and 14" flywheel

	Continuous Power(COP)	Prime Power(PRP)	Standby Power(ESP)
Mean engine load factor	100%	≤70% per 250 h	≤80% per 24 h
Annual working time	Unlimited	Unlimited	≤200 h
Time at full load	Unlimited(max. load≤0.85PRP)	≤500 h per year	≤25 h per year
Overload capacity	NO	1 h per 12 h(10% overload) ≤25h per year	No

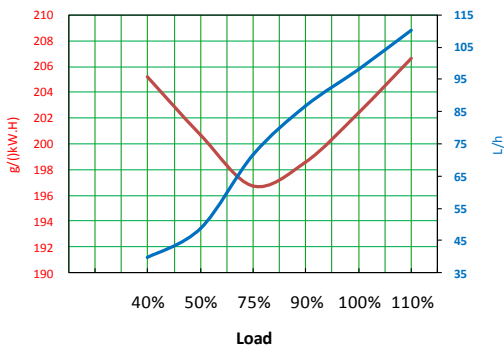
# PowerKit Engine 6M21 Series

## Dimensions and Weight

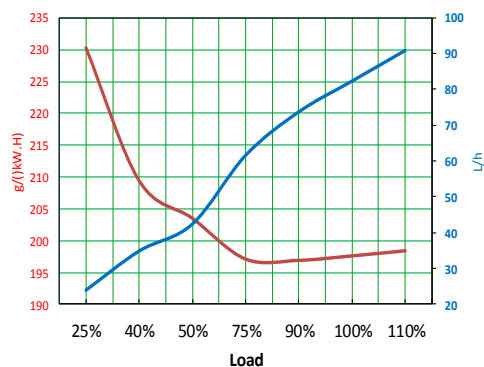
Length	2170 mm
Width	1134 mm
Height	1358 mm
Weight	1120 kg



6M21G385/5e2-350kW/1500 rpm



6M21G440/5e2-368kW/1500rpm



6M21G320/6e2-350kW/1800rpm

### Powerdefinition

Standard ISO 3046/1 -1995(F)

### Reference conditions

Ambient temperature 25°C

Barometric pressure 100kPa

Relative humidity 30%

### Fuel

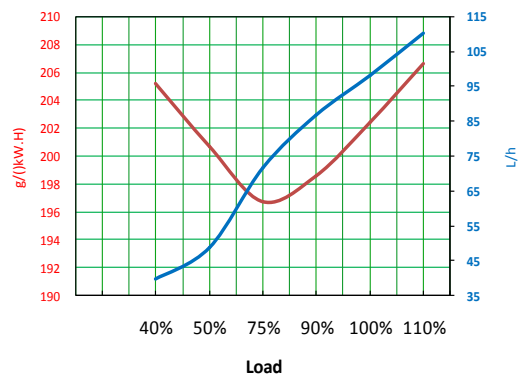
Relativedensity 0.840kg/L

Lower calorific power 42 700 kJ/kg

Consumption tolerances  $\pm 5 \%$

### Lube oil

Recommend grade CF 15W/40



6M21G350/6e2-404kW/1800rpm

Manufacturer: SOCIETE INTERNATIONALE DES MOTEURS BAUDOUIN

Address: Technoparc du Bregadan  
13260 Cassis, FRANCE